

PANZITTA SALES & SERVICE
72 George Avenue
Wilkes-Barre, PA 18705
570-822-6720 800-822-6720
www.panzittasales.com

MANITOWOC LIFTS

PARTS LIST

FORE & AFT

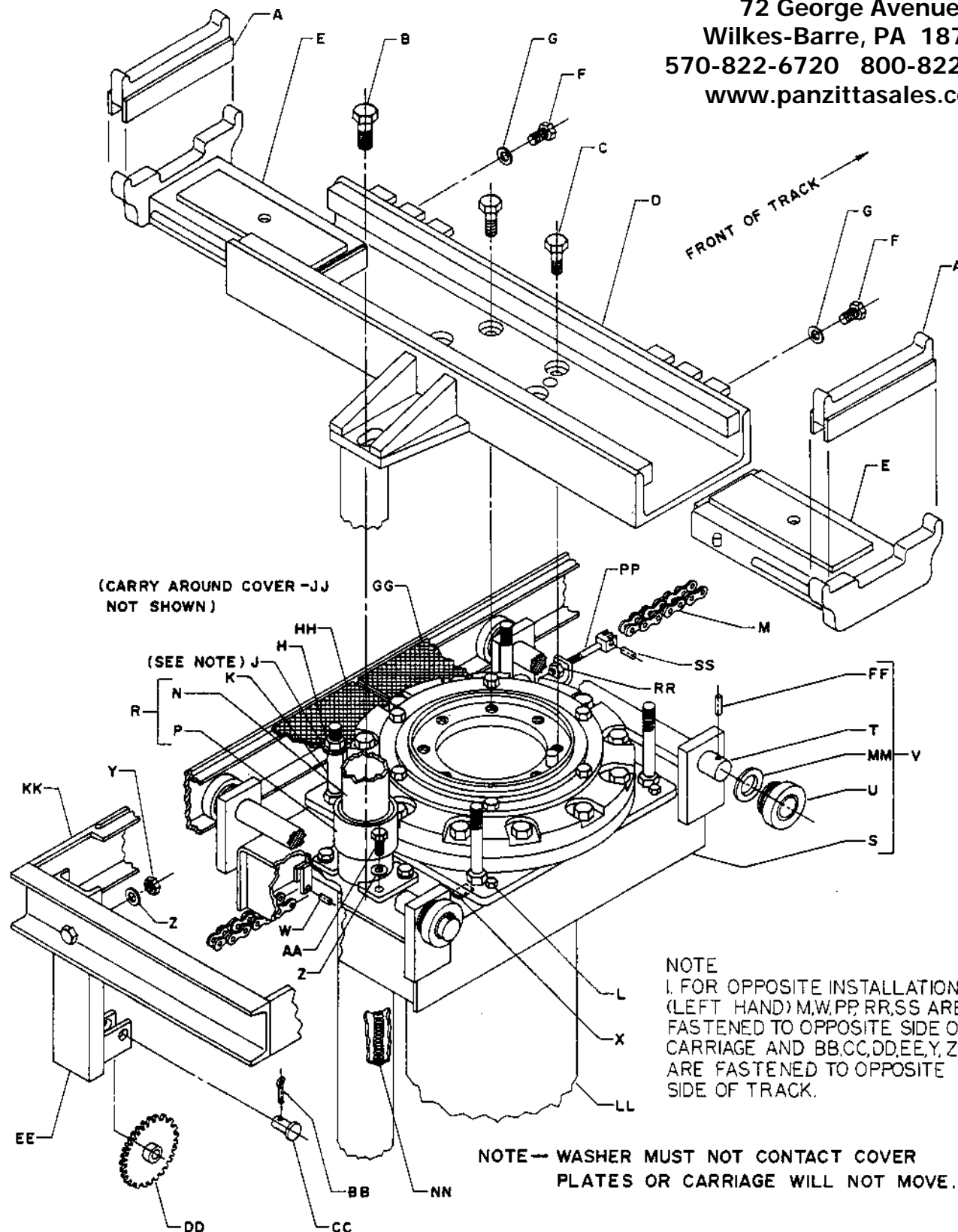
ELECTRIC OIL OPERATED ADJUSTABLE TRUCK LIFT

A-3BM5A

36,000 LBS CAPACITY @ 260-270 PSI

18,000 LBS PER PLUNGER

A-3BM5A.max



T13974

FIG.7

PARTS LIST FOR FORWARD PICK UP BASE AND CARRIAGE ASSEMBLY WITH AUTOMATIC LOCK

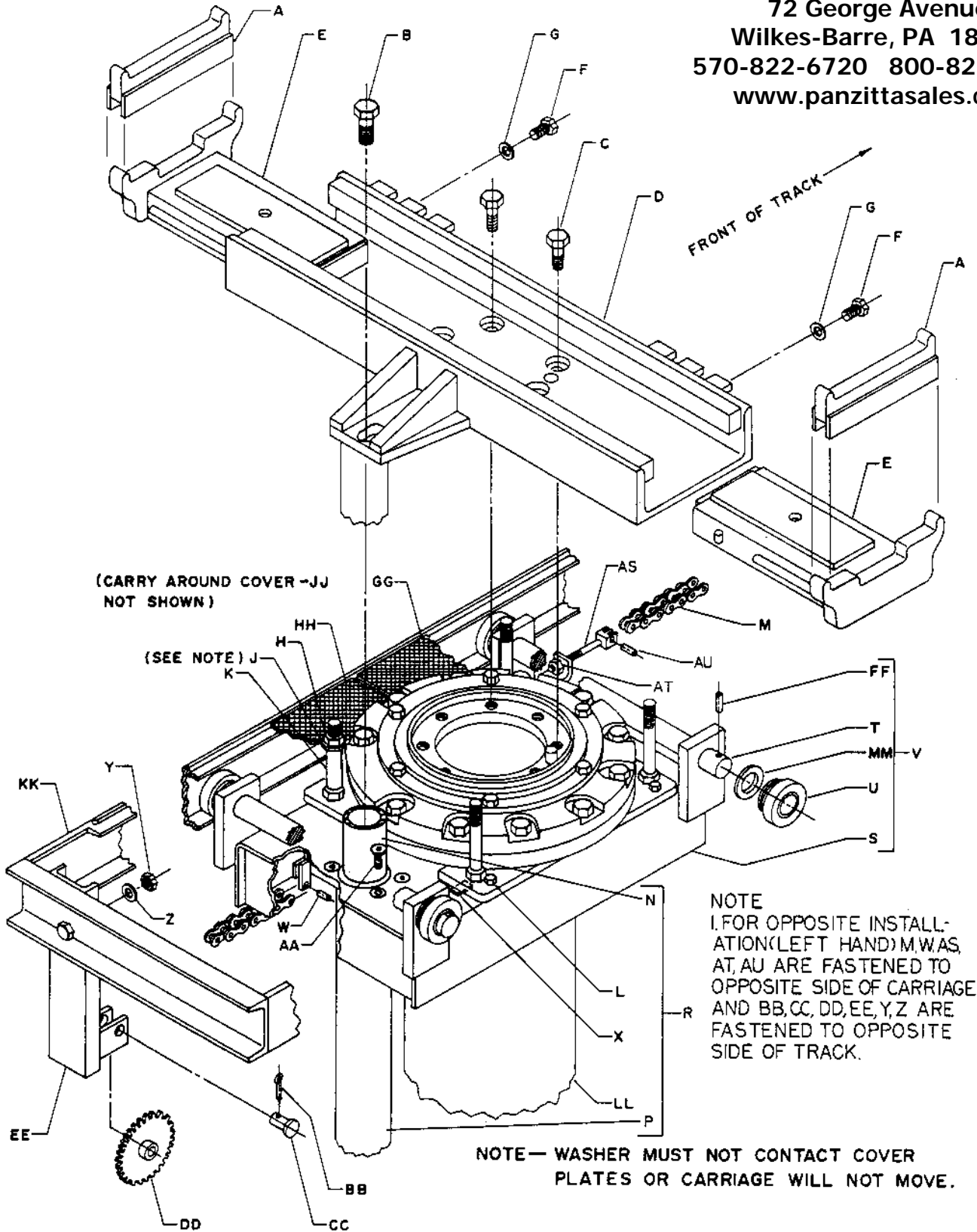
A-3BM5A

A-3BM5A.max

PANZITTA SALES & SERVICE
72 George Avenue
Wilkes-Barre, PA 18705
570-822-6720 800-822-6720
www.panzittasales.com

When ordering replacement parts, always mention lift model number and serial number.

Code No.	No. Req.	Symbol No.	Description	Code No.	No. Req.	Symbol No.	Description
A	2	R13323	Height Adapter	Y	2	K01945	Hex Nut 1/2"-13
B	1	K01914-50	Hex Hd. Bolt 1"-8 x 2-1/2"	Z	6	K02455	Lockwasher 1/2"
C	6	Q10412-01	Hex Hd. Bolt 3/4"-10 x 2-1/4"	AA	4	K01909	Hex Hd. Bolt 1/2"-13 x 1"
D	1	T13949	Forward Pick-up Base	BB	1	K02128	Cotter Pin 1/8" Dia. x 1"
E	2	R13487	Forward Pick-up Slide	CC	1	Q10167-13	Clevis Pin 5/8" x 1-3/4"
F	2	K01902	Hex Hd. Bolt 3/8"-16 x 1"	DD	1	K90624	Sprocket Assembly
G	2	K50775	Lockwasher 3/8"	EE	1	N21712-01	Sprocket Support (Rear)
H	8	K01948	Hex Nut 3/4"-10	FF	4	K50511	Groove Pin 3/16" Dia. x 2"
J	4	K06011	Flat Washer	GG	1	R13389-04	Cover Assembly
K	4	K88446-06	Spacer	HH	1	R13389-05	Cover Assembly
L	4	K01914-40	Hex Hd. Bolt 1/2"-13 x 2-1/2"	JJ	3	R13299	Cover Assembly (10 Ft., 11 Ft., 12 Ft.)
M	1	K89040-17	Chain (10 Ft.)	JJ	4	R13299	Cover Assembly (13 Ft., 14 Ft.)
M	1	K89040-24	Chain (11 Ft.)	JJ	5	R13299	Cover Assembly (15 Ft., 16 Ft.)
M	1	K89040-18	Chain (12 Ft.)	JJ	6	R13299	Cover Assembly (17 Ft., 18 Ft.)
M	1	K89040-25	Chain (13 Ft.)	JJ	7	R13299	Cover Assembly (19 Ft., 20 Ft.)
M	1	K89040-19	Chain (14 Ft.)	JJ	8	R13299	Cover Assembly (21 Ft., 22 Ft.)
M	1	K89040-26	Chain (15 Ft.)	KK	1	R19000-01	Track Kit (10 Ft.)
M	1	K89040-20	Chain (16 Ft.)	KK	1	R19000-02	Track Kit (11 Ft.)
M	1	K89040-27	Chain (17 Ft.)	KK	1	R19000-03	Track Kit (12 Ft.)
M	1	K89040-21	Chain (18 Ft.)	KK	1	R19000-04	Track Kit (13 Ft.)
M	1	K89040-28	Chain (19 Ft.)	KK	1	R19000-05	Track Kit (14 Ft.)
M	1	K89040-22	Chain (20 Ft.)	KK	1	R19000-06	Track Kit (15 Ft.)
M	1	K89040-29	Chain (21 Ft.)	KK	1	R19000-07	Track Kit (16 Ft.)
M	1	K89040-23	Chain (22 Ft.)	KK	1	R19000-08	Track Kit (17 Ft.)
N	1	T11968-01	Telescoping Post Assembly	KK	1	R19000-09	Track Kit (18 Ft.)
P	1	N20224-01	Stationary Tube Assembly	KK	1	R19000-10	Track Kit (19 Ft.)
R	1	K89529-01	Automatic Lock Assembly (Includes B, N, P & NN)	KK	1	R19000-11	Track Kit (20 Ft.)
S	1	T18511-G1	Carriage Weldment	KK	1	R19000-12	Track Kit (21 Ft.)
T	2	N20283	Carriage Axle	KK	1	R19000-13	Track Kit (22 Ft.)
U	4	K89017	Carriage Wheel Assembly	LL	1	T13944-01	Plunger & Cylinder Assembly
V	1	T18512-G1	Carriage Assembly (Includes S, T, U, FF & MM)	MM	4	K89458	Washer
W	1	K78378-39	Roll Pin 3/16 Dia. x 1-3/8"	NN	1	K89526	Spring
X	16	K88438	Shim	PP	1	K90604	Anchor Rod Assembly
				RR	1	Q10977-03	Locknut 5/16"-18
				SS	1	K78378-48	Rollpin 5/32" Dia. x 1-3/8"



T18525

FIG. 8

**FORWARD PICK UP BASE AND CARRIAGE ASSEMBLY
 WITH OPTIONAL REMOTE CONTROL LOCK LEG**

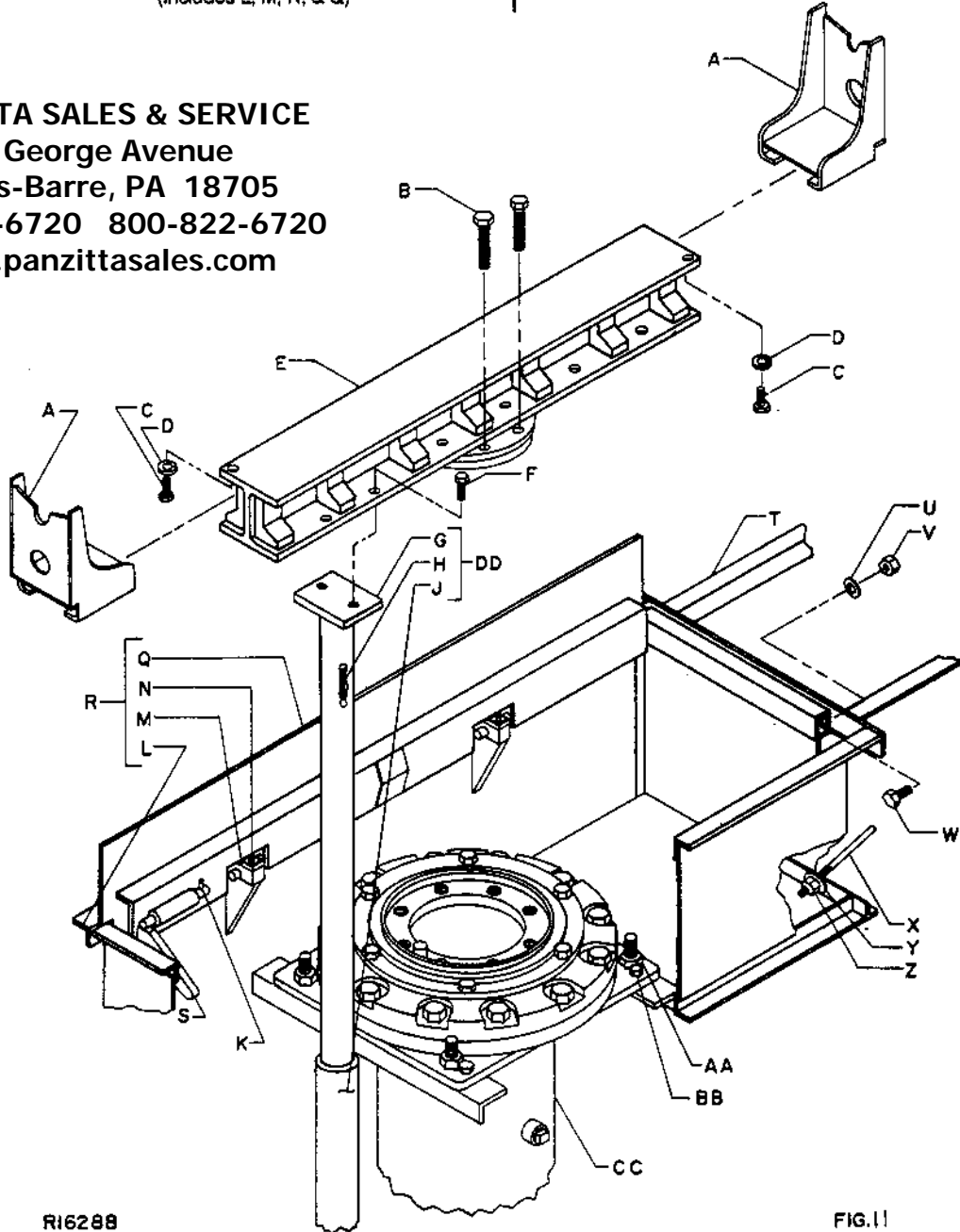
A-3BM5A

A-3BM5A.max

When ordering replacement parts, always mention lift model number and serial number.

Code No. No. Req.	Symbol No.	Description	Code No. No. Req.	Symbol No.	Description
A	2	R13468	S	2	K88445-01
B	8	Q10412-01	T	2	R14568
C	2	K51954	U	4	K66314
D	2	K50775	V	4	K01943
E	1	T13934	W	4	K01901
F	2	K01914-61	X	4	K89033
G	1	T11967-01	Y	16	K02204
H	1	K89526	Z	20	K01941
J	1	N20215-02	AA	4	K01948
K	2	K78378-48	BB	4	K01914-40
L	1	T13954	CC	1	T13945-01
M	4	K88461	DD	1	K89528-01
N	8	Q10098-48			Door Closer
Q	2	T13941			Wheel Locator
R	1	T13955			Flat Washer 3/8"
					Hex Nut 3/8" - 16
					Hex Hd. Bolt 3/8"-16 x 3/4"
					Anchor Rod
					Flat Washer 1/4"
					Hex Nut 1/4"-20
					Hex Nut 3/4"-10
					Hex Hd. Bolt 1/2"-13 x 2-1/2"
					Plunger & Cylinder Assembly (See Page 15)
					Automatic Lock Leg Assembly (Includes G, H & J)
					Rear Axle Support
					Hex Hd. Bolt 3/4"-10 x 2-1/4"
					Hex Hd. Bolt 3/8"-16 x 1/2"
					Lockwasher 3/8"
					Rear Axle Support Beam
					Hex Hd. Bolt 3/4"-10 x 1-1/4"
					Telescoping Post Assembly
					Spring
					Stationary Tube Assembly
					Roll Pin 5/32" Dia. x 3/4"
					Trench Box Weldment
					Top Hinge
					Flat Hd. Screw 3/8"-16 x 3/4"
					Door Rear Box
					Rear Box & Door Assembly (includes L, M, N, & Q)

PANZITTA SALES & SERVICE
 72 George Avenue
 Wilkes-Barre, PA 18705
 570-822-6720 800-822-6720
 www.panzittasales.com



R16288

FIG.11

REAR TRENCH BOX AND AXLE SUPPORTS

A-3BM5A

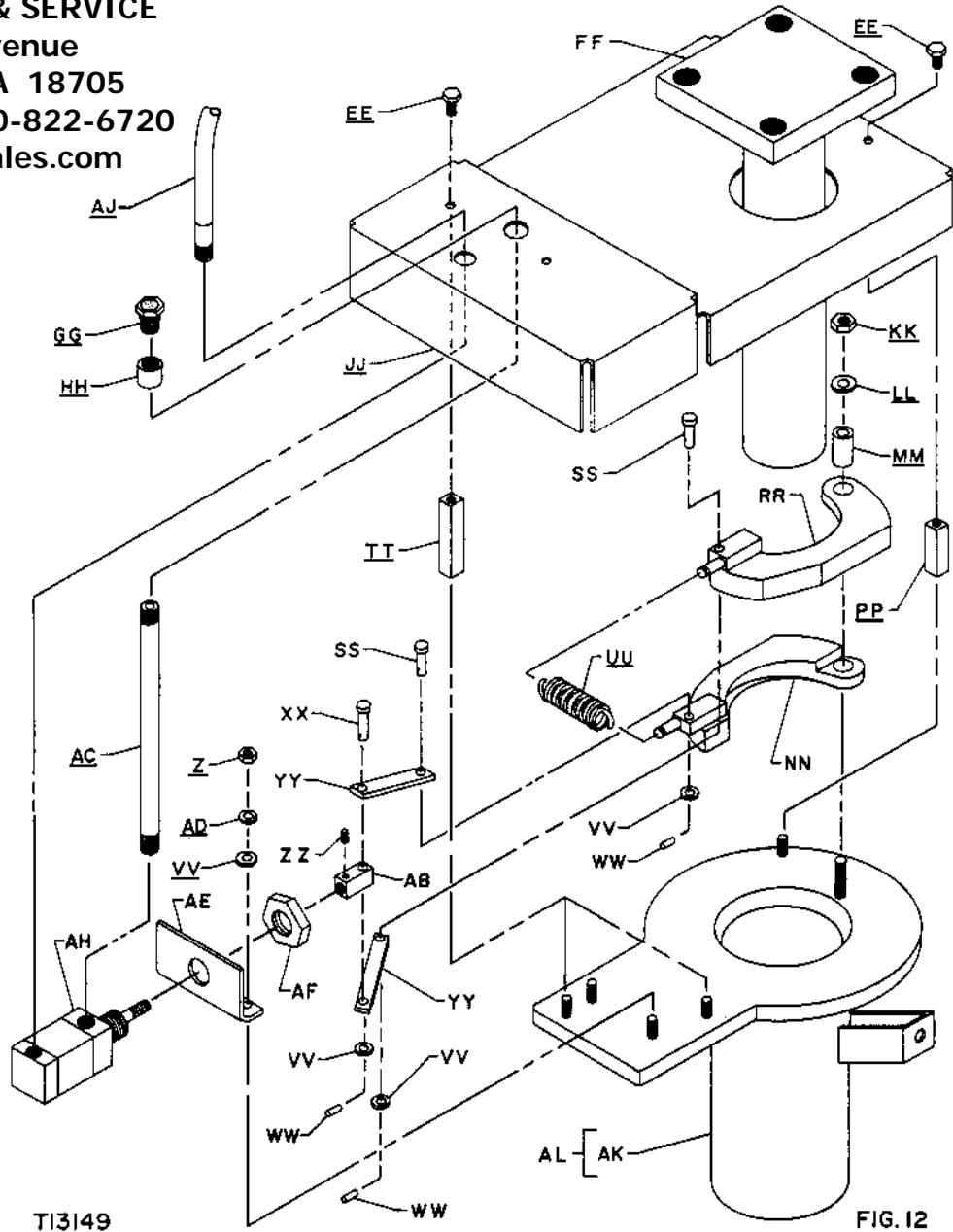
A-3BM5A.max

When ordering replacement parts, always mention lift model number and serial number.

Code No. No. Req.	Symbol No.	Description
EE	3	K05287 Hex Hd. Bolt 1/4"-20 x 1/2"
FF	1	T19001 Inner Post Assembly
GG	1	Q10850-01 Breather Vent
HH	1	K40379 Coupling 1/8"
JJ	1	T19002 Cover, Remote Control Leg
KK	1	K01942 Hex Nut 5/16"-18
LL	1	K02205 Flat Washer 5/16"
MM	1	K77749-04 Spacer
NN	1	N21357 Jaw Assembly (Rear L.H.)
PP	1	K90206-01 Spacer
RR	1	N21356 Jaw Assembly (Rear R.H.)
SS	2	Q10167-09 Clevis Pin 1/4" Dia. x 1"
TT	2	K90206-02 Spacer
UU	1	K91205 Spring
VV	5	K66871 Washer

Code No. No. Req.	Symbol No.	Description
WW	3	Q10038-19 Spirol Pin 3/32" Dia. x 5/8"
XX	1	Q10167-10 Clevis Pin 1/4" Dia. x 1-1/4"
YY	2	K89571-01 Linkage Bar
ZZ	1	K82287-24 Set Screw #10-32 x 1/4"
AB	1	K90129 Mounting Bar
AC	1	N16927-17 Pipe 1/8" x 11"
AD	1	K50773 Lockwasher 1/4"
AE	1	N21354 Mounting Bracket
AF	1	Q10404-03 Jam Nut 3/4"-16
AH	1	K90133 Air Cylinder
AJ	1	K90150-02 Air Hose
AK	1	N23004 Outer Post Assembly
AL	1	K95005 Remote Control Leg Assembly (Includes FF & AK)

PANZITTA SALES & SERVICE
 72 George Avenue
 Wilkes-Barre, PA 18705
 570-822-6720 800-822-6720
 www.panzittasales.com



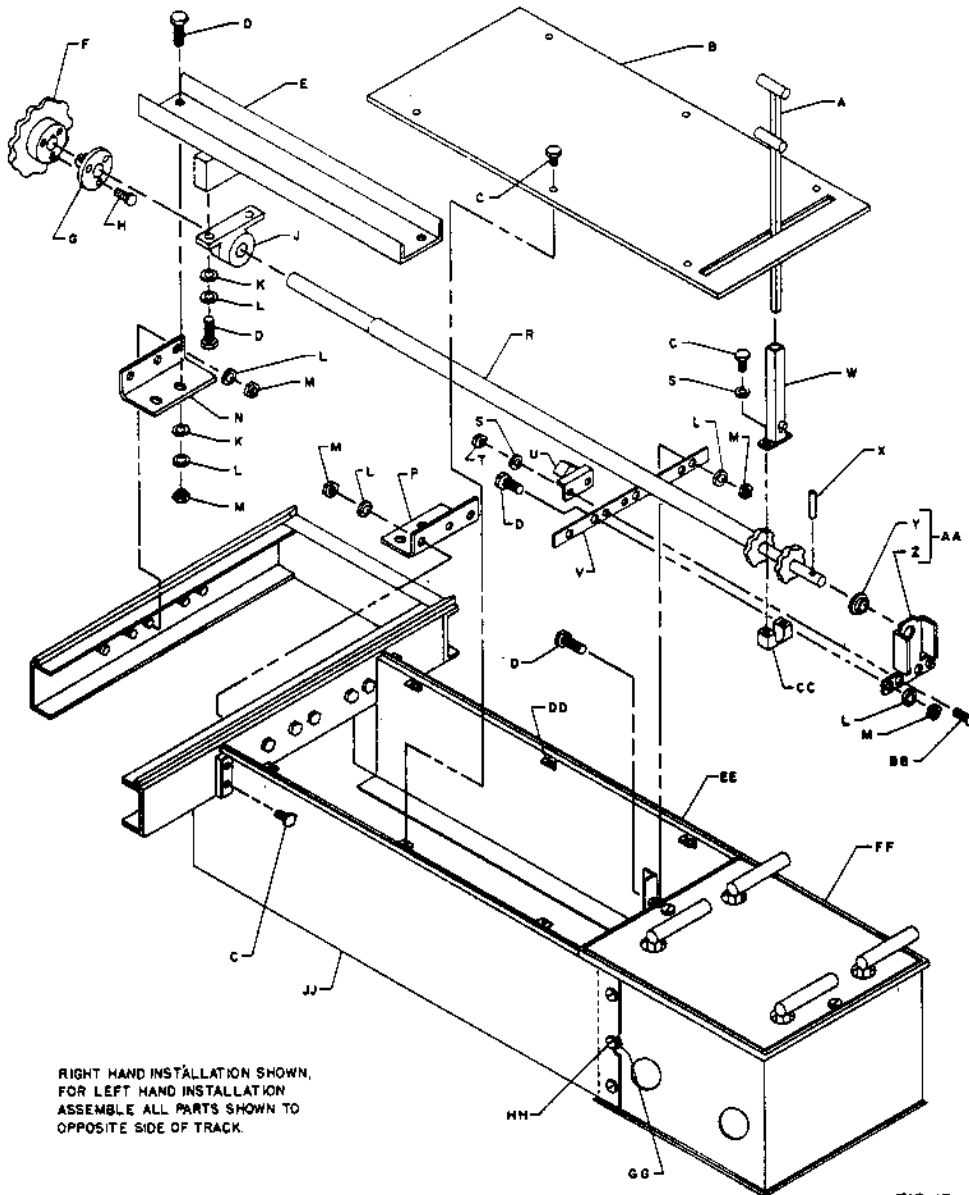
REAR TRENCH BOX AND OPTIONAL REMOTE CONTROL PARTS

A-3BM5A

A-3BM5A.max

When ordering replacement parts, always mention lift model number and serial number.

Code No. No. Req.	Symbol No.	Description	Code No. No. Req.	Symbol No.	Description
A	1	R16171-02	V	1	N21460
B	1	T13872-01	W	1	N21714
C	12	K05287	X	1	K78378-39
D	10	K01902	Y	1	N17706-40
E	1	N21456	Z	1	N21474
F	1	K90615	AA	1	N21470
G	1	K90616	BB	2	Q10033-69
H	3	K07565	CC	1	K90609
J	1	K90618	DD	6	K81038-24
K	6	K02206	EE	1	T09499-05
L	14	K50775	FF	1	T09513
M	12	K01943	FF	1	T13117
N	1	N21466-02	GG	6	K66871
P	1	N21466-01	HH	6	K60521-24
R	1	N21717-01	JJ	1	T09499-06
S	4	K43948			Ratchet Support Bar
T	2	K01941			Handle Holder Assembly
U	1	K90607			Roll Pin 3/16" Dia. x 1-3/8"
					Flanged Bearing
					Ratchet Support Weldment
					Ratchet Support Assembly
					(Includes Y & Z)
					Socket Hd. Cap Screw 1/4"-20 x 3/4"
					Pivot Block
					Speed Nut 1/4"-20
					Side Panel Weldment (R.H.)
					Control Box Assembly (See Page 26)
					Control Box Assembly
					(Remote Control) (See Page 27)
					Flat Washer
					Self Tapping Screw #14 x 5/8"
					Side Panel Weldment (L.H.)



T13968

FIG. 13

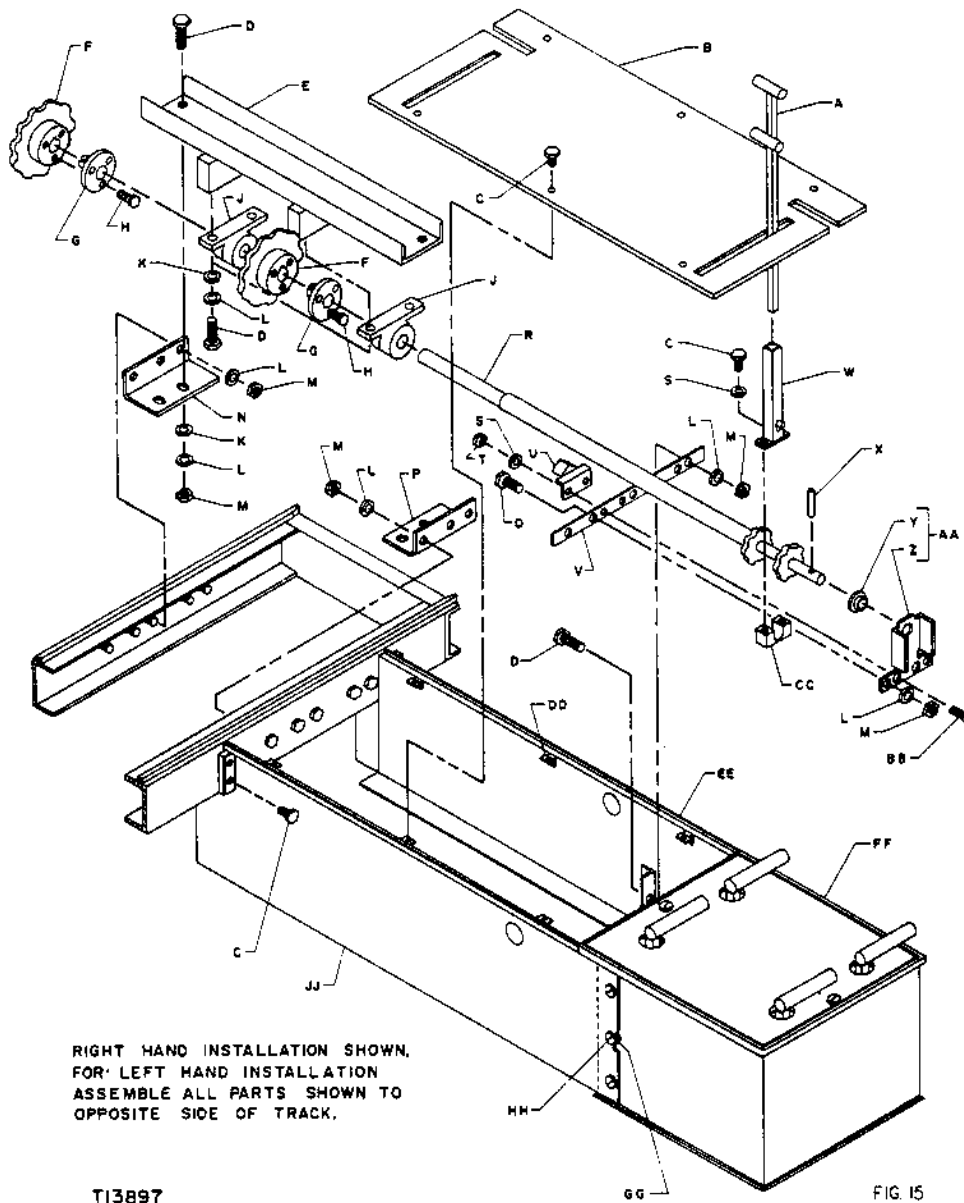
EXTENSION BOX & CONTROL BOX

A-3BM5A

A-3BM5A.max

When ordering replacement parts, always mention lift model number and serial number.

Code No. No. Req.	Symbol No.	Description	Code No. No. Req.	Symbol No.	Description	
A	1	R16171-02	V	1	N21460	Ratchet Support Bar
B	1	T13894	W	1	N21714	Handle Holder Assembly
C	12	K05287	X	1	K78378-39	Roll Pin 3/16" Dia. x 1-3/8"
D	12	K01902	Y	1	N17706-40	Flanged Bearing
E	1	N21740	Z	1	N21474	Ratchet Support Weldment
F	2	K90615	AA	1	N21470	Ratchet Support Assembly (Includes Y & Z)
G	2	K90616	BB	2	Q10033-69	Socket Hd. Cap Screw 1/4"-20 x 3/4"
H	6	K07565	CC	1	K90609	Pivot Block
J	2	K90618	DD	6	K81038-24	Speed Nut 1/4"-20
K	8	K02206	EE	1	T09499-05	Side Panel Weldment (R.H.)
L	18	K50775	FF	1	T09513	Control Box Assembly (Auto Lock) (See Page 26)
M	14	K01943	FF	1	T13117	Control Box Assembly (Remote Control) (See Page 27)
N	1	N21466-02	GG	6	K66871	Flat Washer
P	1	N21466-01	HH	6	K60521-24	Self Tapping Screw #14 x 5/8"
R	1	N21717-01	JJ	1	T09499-06	Side Panel Weldment (L.H.)
S	4	K43948				
T	2	K01941				
U	1	K90607				



T13897

FIG 15

EXTENSION BOX & CONTROL BOX WITH OPTIONAL POWER CARRIAGE

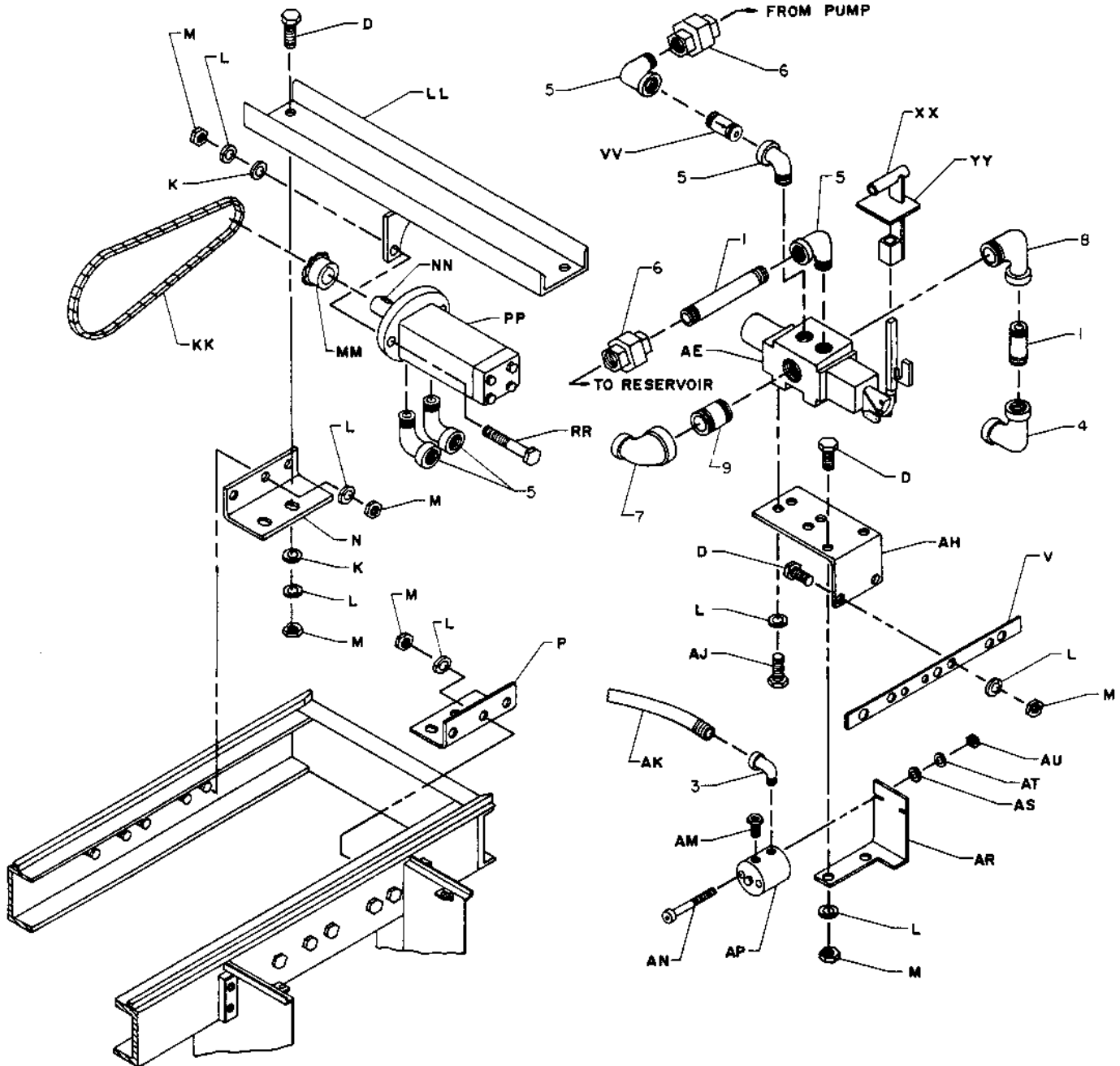
A-3BM5A

A-3BM5A.max

When ordering replacement parts, always mention lift model number and serial number.

Code No.	Symbol	Description
No. Req.	No.	
D	8	K01902 Hex Hd. Bolt 3/8"-16 x 1"
K	6	K02206 Flat Washer 3/8"
L	18	K50775 Lockwasher 3/8"
M	14	K01943 Hex Nut 3/8"-16
N	1	N21466-02 Support Bracket
P	1	N21466-01 Support Bracket
V	1	N21460 Ratchet Support Bar
KK	1	K95021 Roller Chain
LL	1	N21744 Motor Mtg. Bracket
MM	1	K90614 Sprocket
NN	1	K61559 Key 1/4" x 1"
PP	1	N21475 Hydraulic Motor
RR	2	K01954 Hex Hd. Bolt 3/8"-16 x 1-1/2"
VV	1	K91952 Orifice

Code No.	Symbol	Description
No. Req.	No.	
XX	1	N21743 Control Handle
YY	1	K91950 Control Valve Shield
AE	1	R16223 Control Valve Assy.
AH	1	R16224 Valve Mounting Bracket
AJ	4	K01901 Hex Hd. Bolt 3/8"-16 x 3/4"
AK	1	K91951 Hydraulic Hose
AM	1	Q10850-01 Breather Vent
AN	2	Q10037-72 Socket Hd. Cap Screw #10-32
AP	1	N21739 Short Stroke Hydraulic Cylinder
AR	1	N21742 Cylinder Mounting Bracket
AS	2	K85235-22 Flat Washer #10
AT	2	K50866 Lockwasher #10
AU	2	K22733 Hex Nut #10-32



T13896

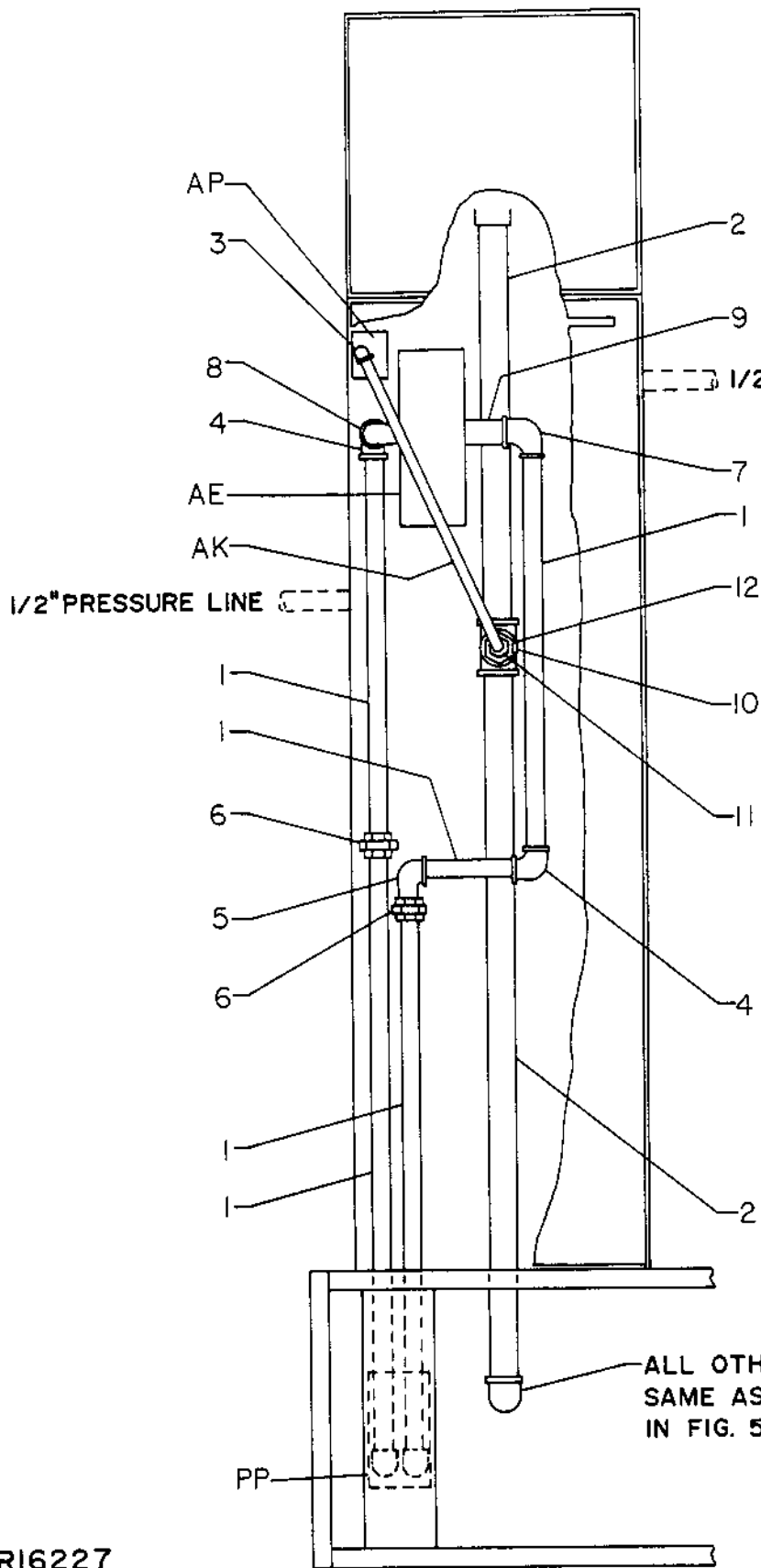
FIG. 16

EXTENSION BOX WITH OPTIONAL POWER CARRIAGE

A-3BM5A

A-3BM5A.max

When ordering replacement parts, always mention lift model number and serial number.



Code No.	Description
1	Pipe, 1/2" Dia. Stl.
2	Pipe, 1-1/4" Dia. Stl.
3	Street Elbow, 1/8" x 90°
4	Elbow, 1/2" x 90°
5	Street Elbow, 1/2" x 90°
6	Union, 1/2"
7	Reducing Elbow, 3/4" to 1/2" x 90°
8	Reducing Street Elbow, 3/4" to 1/2" x 90°
9	Nipple, 3/4" x 2"
10	Tee, 1-1/4" x 1-1/4" x 1-1/4"
11	Reducer Bushing, 3/4" x 1/8"
12	Reducer Bushing, 1-1/4" x 3/4"

ITEMS FURNISHED BY INSTALLER

PANZITTA SALES & SERVICE
 72 George Avenue
 Wilkes-Barre, PA 18705
 570-822-6720 800-822-6720
 www.panzittasales.com

ALL OTHER PIPING
 SAME AS SHOWN
 IN FIG. 5

RI6227

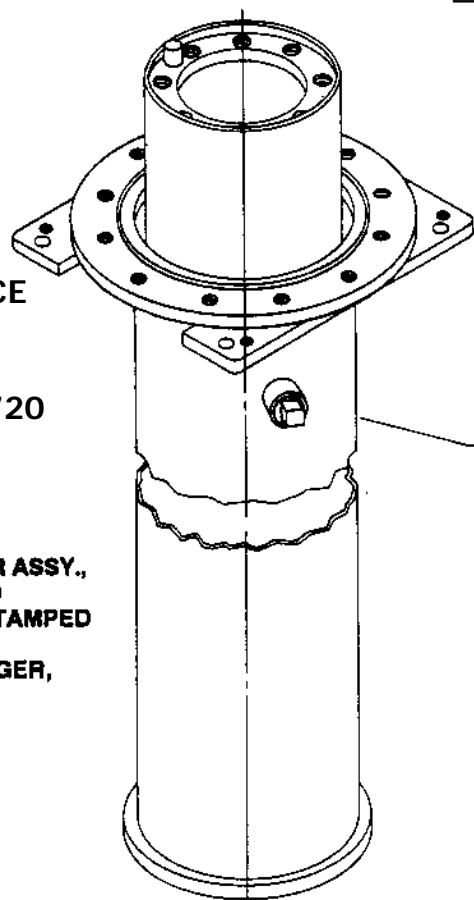
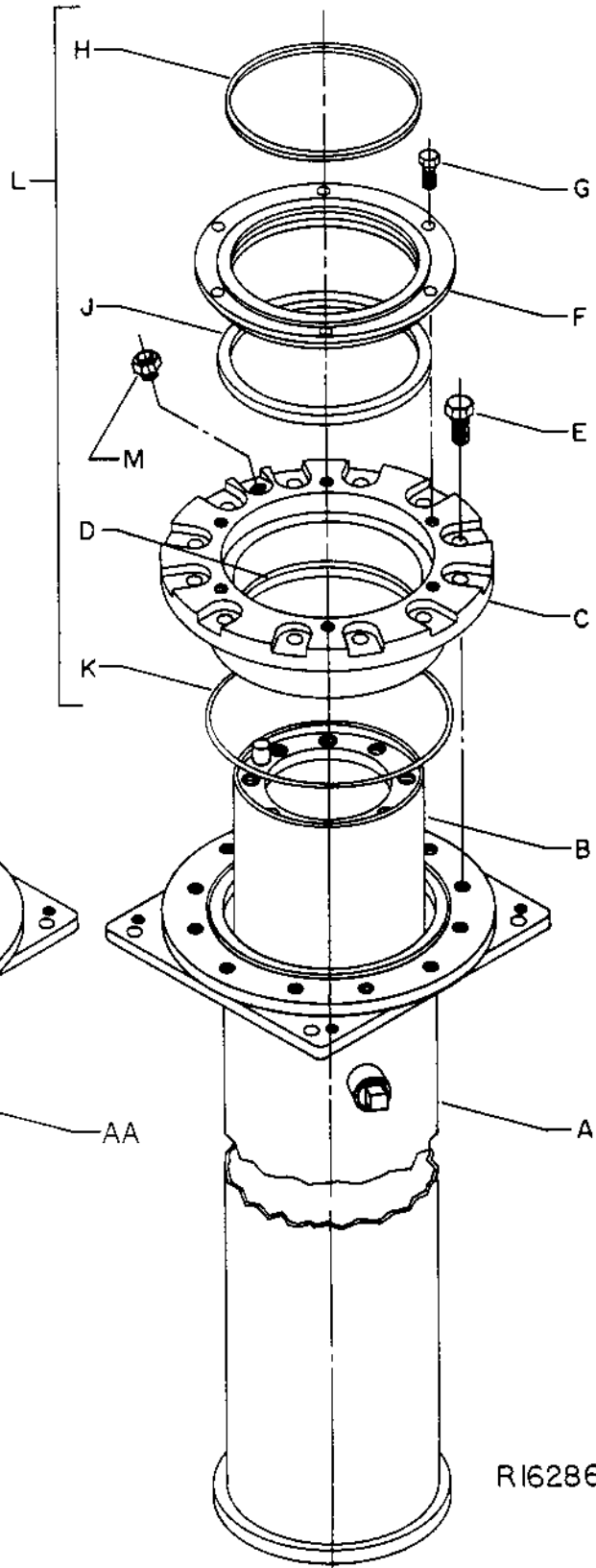
FIG. 14

PIPING FOR OPTIONAL POWER CARRIAGE

When ordering replacement parts, always mention lift model number and serial number.

Code No. No. Req.	Symbol No.	Description
FOR AUTO LOCK LEGS		
	1	T13944-01
A	1	T13938-G1
B	1	T13935-G2
C	1	T13943-02
D	1	Upper Bearing
E	12	Q10412-01
F	1	R18229-02
G	6	K01907
H	1	Felt Wiper
J	1	Seal
K	1	O-Ring
L	1	K34301
M	1	N21812-G1
		Plunger & Cylinder Assembly
		Cylinder Assembly
		Plunger Assembly (See note)
		Upper Bearing
		Hex Hd. Bolt 3/4"-10 x 2-1/4"
		Wiper Retainer
		Hex Hd. Bolt 7/16"-14 x 1-1/2"
		Wiper
		Seal
		O-Ring
		Seal Kit (Includes D, H, J & K)
		Air Vent

Code No. No. Req.	Symbol No.	Description
FOR REMOTE LOCK LEGS		
	1	T13944-02
AA	1	T13938-G2
B	1	T13935-G2
C	1	T13943-02
D	1	Upper Bearing
E	12	Q10412-01
F	1	R18229-02
G	6	K01907
H	1	Felt Wiper
J	1	Seal
K	1	O-Ring
L	1	K34301
M	1	N21812-G1
		Plunger & Cylinder Assembly
		Cylinder Assembly
		Plunger Assembly (See note)
		Upper Bearing
		Felt Wiper
		Hex Hd. Bolt 3/4"-10 x 2-1/4"
		Wiper Retainer
		Hex Hd. Bolt 7/16"-14 x 1-1/2"
		Wiper
		Seal
		O-Ring
		Seal Kit (Includes D, H, J & K)
		Air Vent



PLUNGER AND CYLINDER ASSEMBLY (FRONT)

PANZITTA SALES & SERVICE
 72 George Avenue
 Wilkes-Barre, PA 18705
 570-822-6720 800-822-6720
 www.panzittasales.com

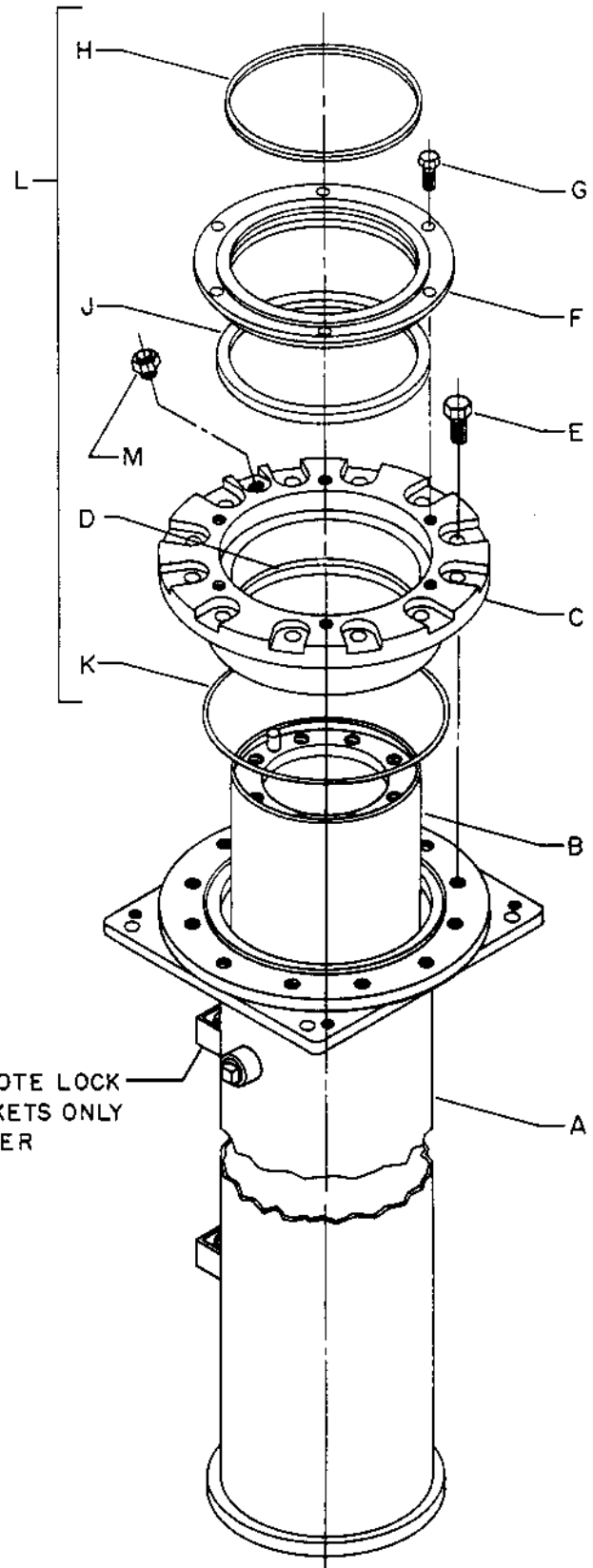
NOTE:
 WHEN ORDERING PLUNGER ASSY.,
 SPECIFY SYMBOL NO. AND
 BEARING CODE LETTER STAMPED
 ON TOP OF PLUNGER.
 FOR REPLACEMENT PLUNGER,
 ORDER KIT NO. K92936

A-3BM5A

A-3BM5A.max

When ordering replacement parts, always mention lift model number and serial number.

Code No. No. Req.	Symbol No.	Description
	1	T13945-01
A	1	T13939-G1
B	1	T13935-G1
C	1	T13943-02
D	1	Felt Wiper
E	12	Q10412-01
F	1	R18229-02
G	6	K01907
H	1	
J	1	
K	1	
L	1	K34301
M	1	N21812-G1



PANZITTA SALES & SERVICE
 72 George Avenue
 Wilkes-Barre, PA 18705
 570-822-6720 800-822-6720
 www.panzittasales.com

AUTOMATIC/REMOTE LOCK
 MOUNTING BRACKETS ONLY
 ON REAR CYLINDER

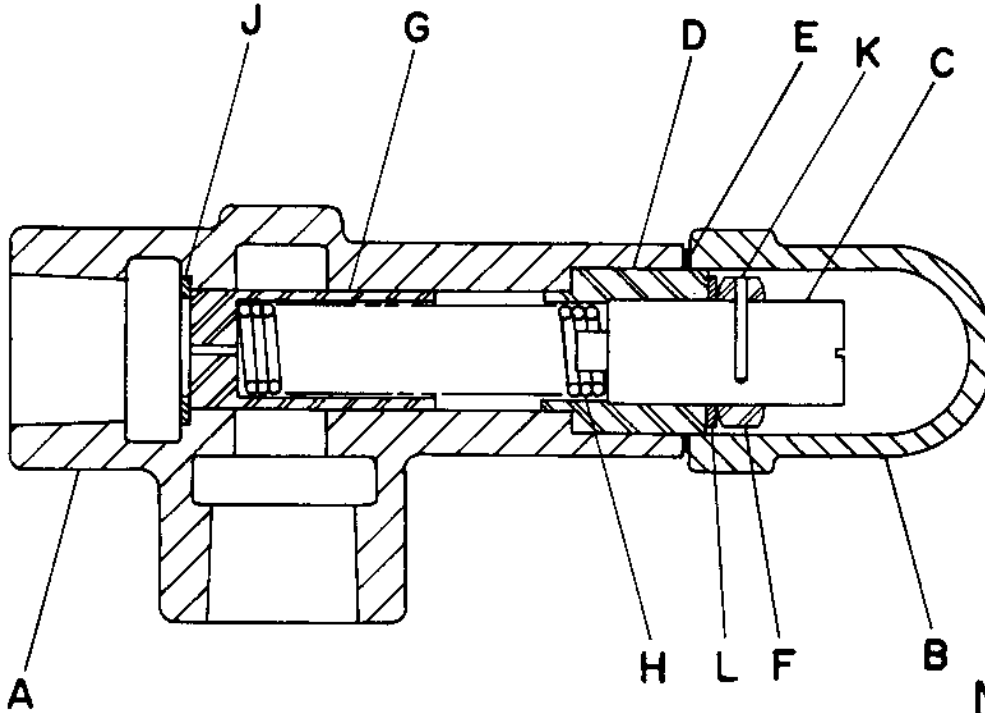
NOTE:
 WHEN ORDERING PLUNGER ASSY.,
 SPECIFY SYMBOL NO. AND
 BEARING CODE LETTER STAMPED
 ON TOP OF PLUNGER.
 FOR REPLACEMENT PLUNGER,
 ORDER KIT NO. K92935

RI6287

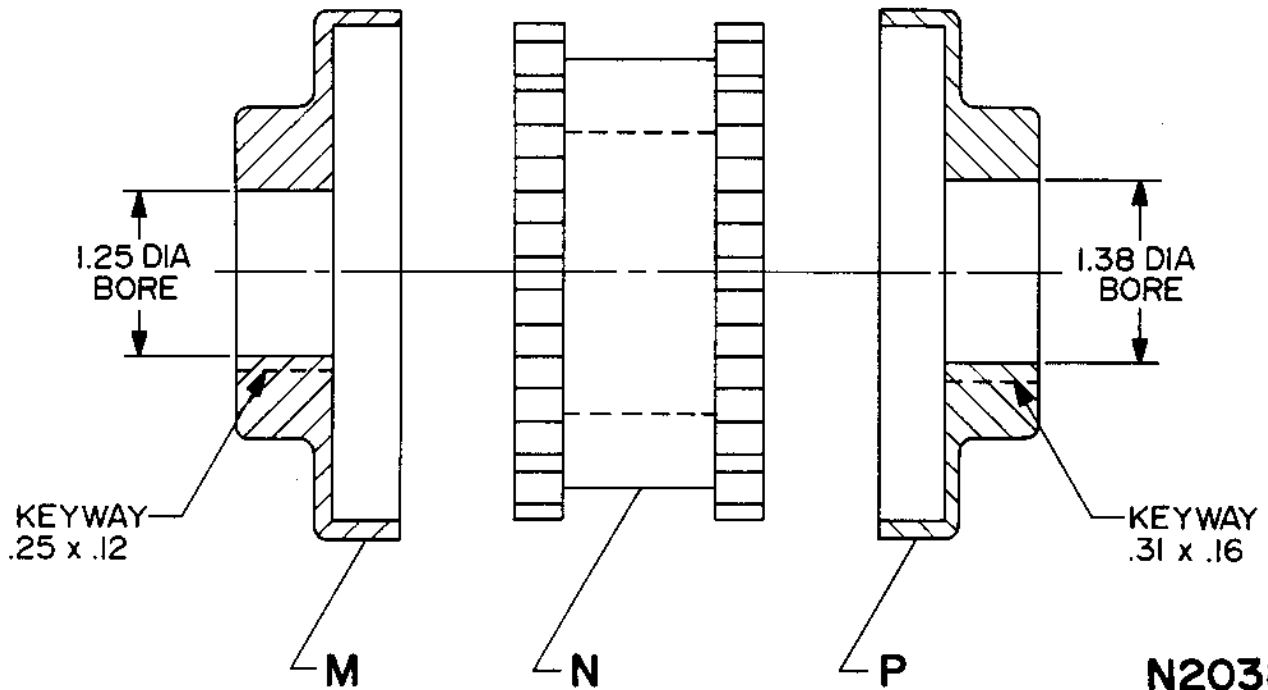
PLUNGER AND CYLINDER ASSEMBLY (REAR)

When ordering replacement parts, always mention lift model number and serial number.

Code No. No. Req.	Symbol No.	Description	Code No. No. Req.	Symbol No.	Description
A 1	N20302-02	Body	H 1	N20302-12	Spring
B 1	N20302-03	Cap	J 1	N20302-10	Stop Ring
C 1	N20302-04	Adjusting Screw	K 1	K48864	Groove Pin
D 1	N20302-05	Retainer	L 1	N16599-72	Flat Washer
E 1	N20302-06	Gasket	M 1	N20382-03	Flange 1-1/4" Bore
F 1	N20302-07	Locknut	N 1	N20382-02	Sleeve
G 1	N20302-08	Piston	P 1	N20382-04	Flange 1-3/8" Bore



N20342



N20388

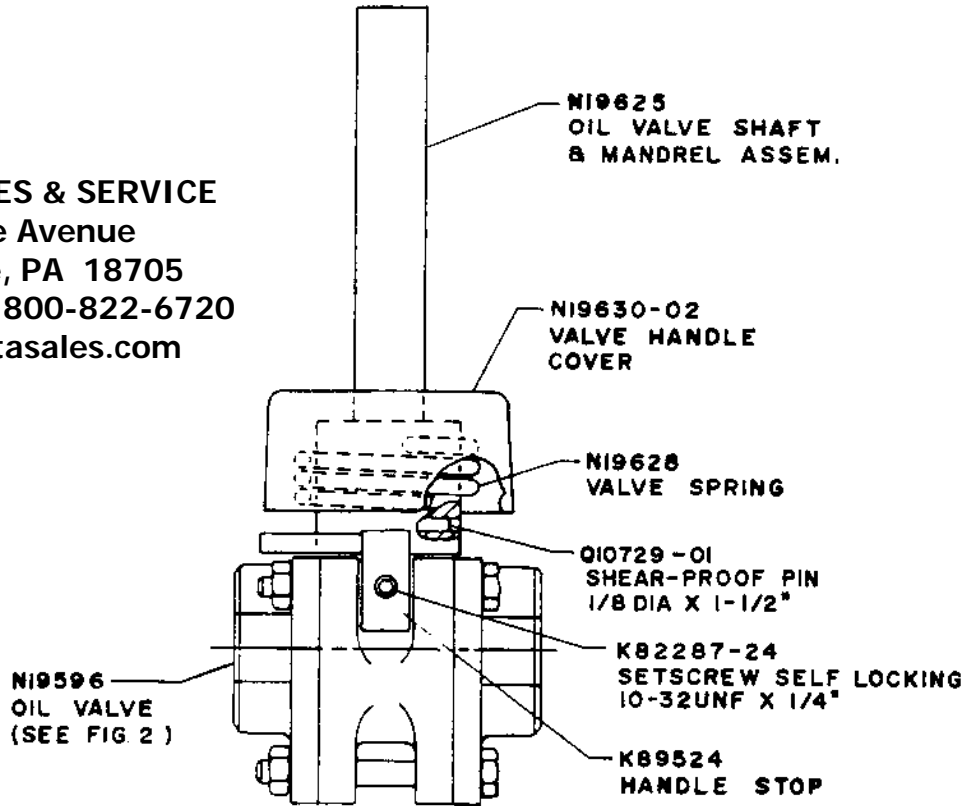
RELIEF VALVE AND COUPLING

A-3BM5A

A-3BM5A.max

When ordering replacement parts, always mention lift model number and serial number.

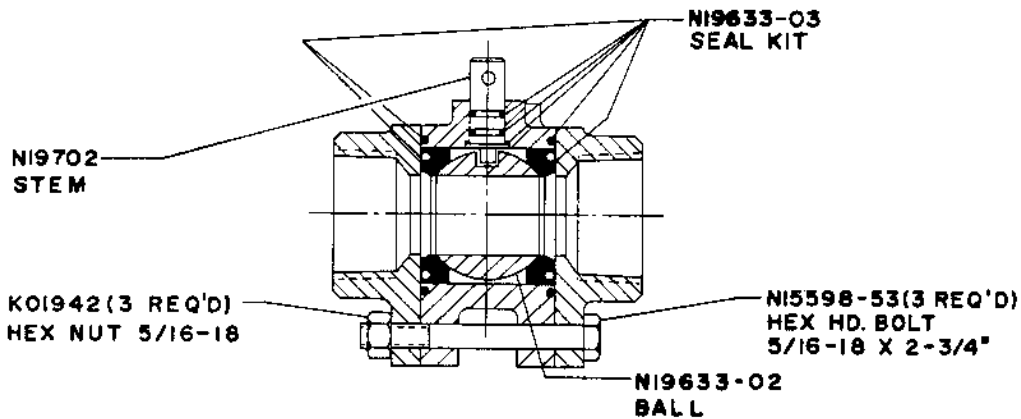
PANZITTA SALES & SERVICE
72 George Avenue
Wilkes-Barre, PA 18705
570-822-6720 800-822-6720
www.panzittasales.com



FLOOR CONTROL
COMPLETE OIL VALVE
ASSEMBLY R14467

FIG 1

NOTE: THE OIL VALVE REPAIR KIT K34124 IS TO CHANGE METHOD OF ASSEMBLING VALVE STEM & MANDREL FROM SETSCREW TO SHEAR-PROOF PIN. (NOTE : FOR VALVE STEMS & MANDRELS WHICH ARE ALREADY PINNED, ORDER INDIVIDUAL PARTS AS NEEDED).



REPLACEMENT PARTS FOR OIL VALVE N19596

FIG. 2

N20339

OIL VALVE IN CONTROL BOX

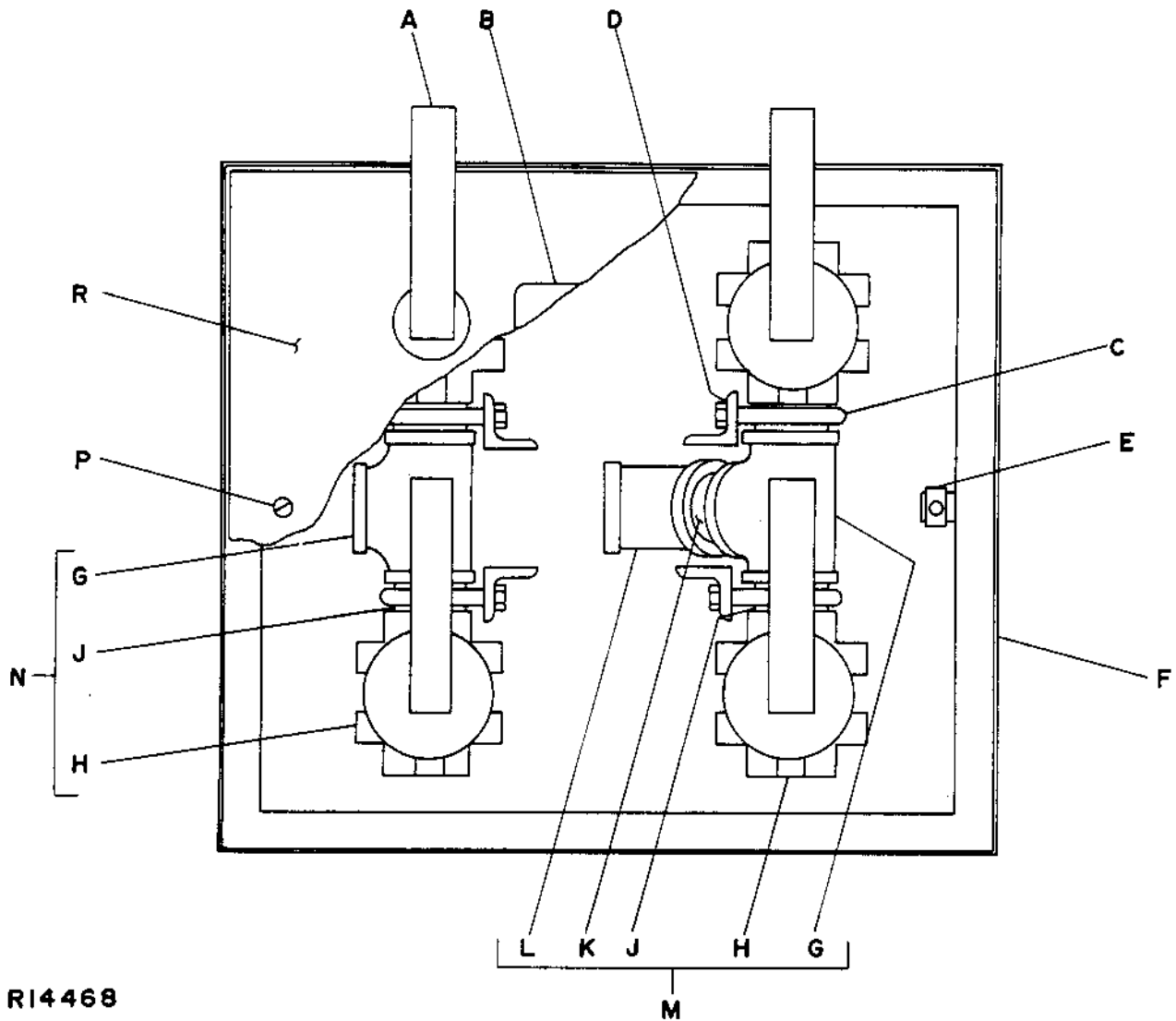
A-3BM5A

A-3BM5A.max

When ordering replacement parts, always mention lift model number and serial number.

Code No. No. Req.	Symbol No.	Description	Code No. No. Req.	Symbol No.	Description
A	4	N19602	V	1	K03478
B	1	N21393	W	1	K88349-03
C	4	K58558	X	1	K05287
D	17	K01941	Y	8	Q10412-05
E	2	K81038-24	Z	9	K43948
F	1	T09511	AA	1	N21369-01
F	1	T09511-01	BB	1	R14601
G	2	K02309A01	CC	1	N21365
H	4	R14467	DD	1	N21366
J	4	R11494-51	FF	1	N21370
K	1	R11494-20	JJ	1	N21361
L	1	K03608-24	KK	1	R14604
M	1	R13500	LL	2	K90174
N	1	R13499	MM	4	K50775
P	2	K11061	NN	4	K01902
R	1	R14465	PP	2	K90173
S	2	K03481	RR	2	N21367
T	2	K08441	SS	4	K02204
U	1	K02332	TT	4	Q10218-06
					Nipple 1/4" x 4-3/4"
					Clip
					Hex Hd. Bolt 1/4"-20 x 1/2"
					Hex Hd. Bolt 1/4"-20 x 2"
					Lockwasher 1/4"
					Control Valve Assembly
					Mounting Bracket
					Cam Assembly
					Cam Assembly
					Pipe Support Assembly
					Cam Guide
					Mounting Bracket
					Retainer Bar
					Lockwasher 3/8"
					Hex Hd. Bolt 3/8"-16 x 1"
					Cam Follower Assembly
					Plate
					Flat Washer 1/4"
					Lock Nut 1/4"-20

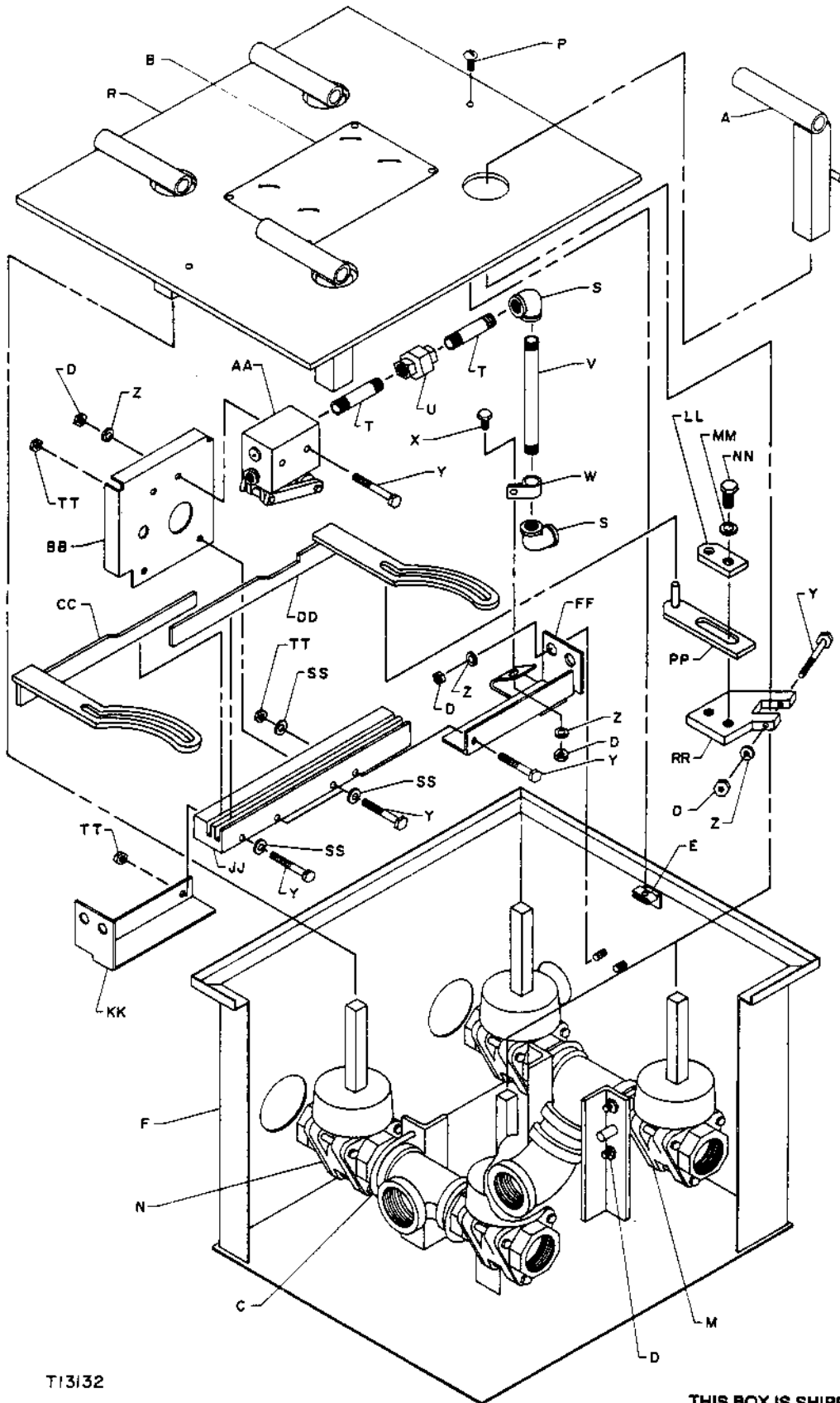
SEE PAGES 8 & 10 FOR CONTROL BOX LOCATION



R14468

CONTROL BOX ASSEMBLY (AUTOMATIC LOCK LEG)

When ordering replacement parts, always mention lift model number and serial number.



T13132

THIS BOX IS SHIPPED ASSEMBLED.

CONTROL BOX ASSEMBLY (OPTIONAL REMOTE CONTROL LOCK LEG)

A-3BM5A

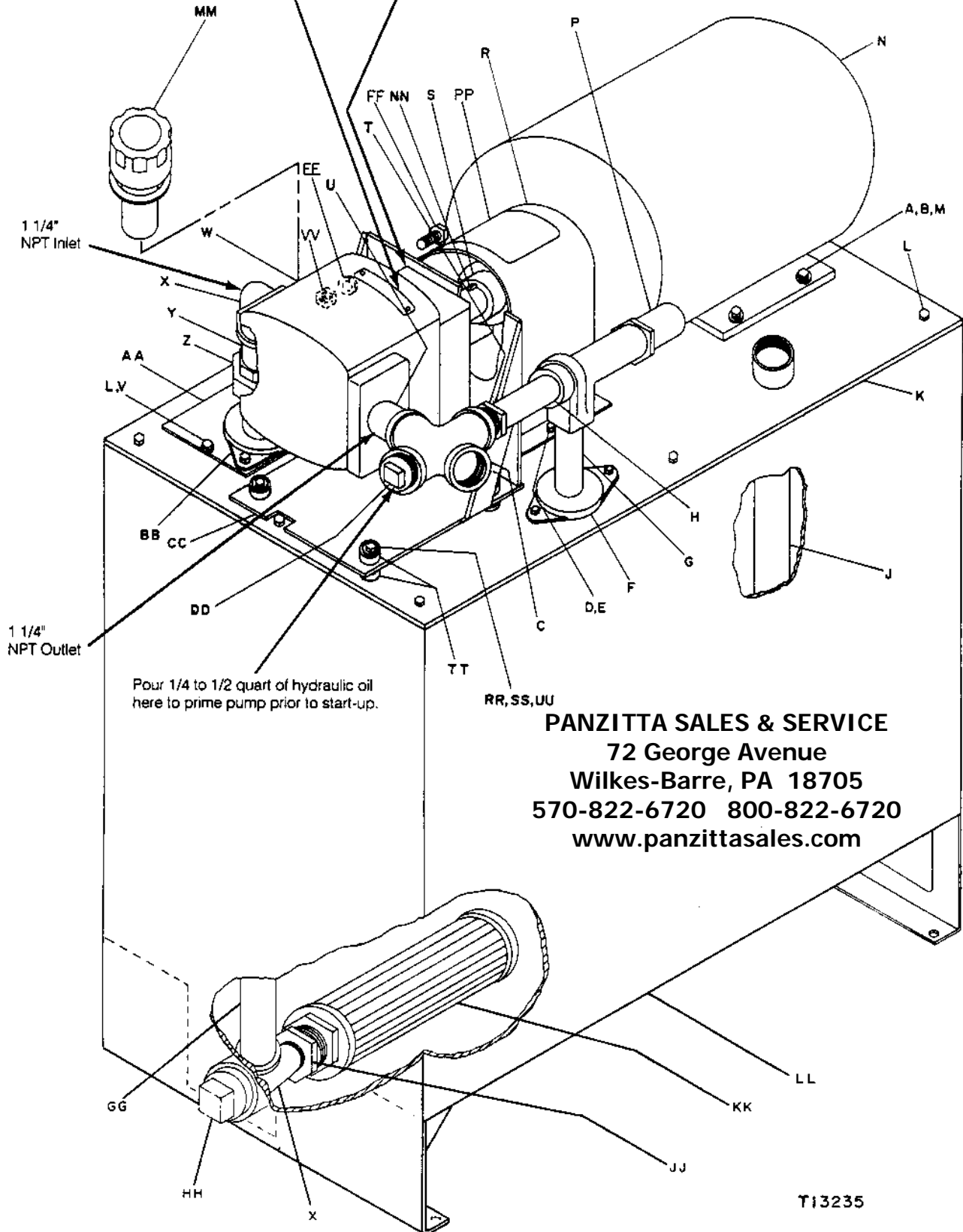
A-3BM5A.max

NOTE

Pump **MUST** be mounted with name tag up.

CAUTION

Pump rotation **MUST** be clockwise when facing pump from shaft end. Pump and motor shafts must be aligned within .03 inches.



Pour 1/4 to 1/2 quart of hydraulic oil here to prime pump prior to start-up.

PANZITTA SALES & SERVICE
 72 George Avenue
 Wilkes-Barre, PA 18705
 570-822-6720 800-822-6720
 www.panzittasales.com

T13235

**ELECTRIC OIL POWER UNIT FOR MODELS
 E 01 AND E 03 (WITH COMMERCIAL SHEARING PUMP)**

A-3BM5A

A-3BM5A.max

When ordering replacement parts, always mention lift model number and serial number.

Code No. No. Req.	Symbol No.	Description
A 4	K01903	Hex Hd. Bolt 3/8-16 x 1-1/4"
B 4	K50775	Lockwasher 3/8"
C 1	K06776-01	Cross 1-1/4"
D 2	K05287	Hex Hd. Bolt 1/4-20 x 1/2"
E 2	K50773	Lockwasher 1/4"
F 1	N21737-01	Suction Flange
G 1	K89450	Relief Pipe 1"
H 1	K02984	Nipple 1" x 3"
J 1	K89451	Return Pipe 1-1/4"
K 1	R14504-03	Tank Cover (170 Gal.)
L 10	K60521-24	Hex Hd. Self Tapping Screw #14 x 5/8"
M 4	K02206	Flat Washer 3/8"
N 1	T08833-84	Motor 7-1/2 HP, 208-230/460V, 60 HZ, 3 PH
N 1	T08833-83	Motor 7-1/2 HP, 230V, 60 HZ, 1 PH
P 1	N20302-01	Relief Valve (For Replacement Parts See Page 24)
R 1	R14502	Coupling Guard
S 1	N20382-01	Coupling (For Replacement Parts, See Page 24)
T 1	Q10837-10	Hex Reducing Bushing 1-1/4" to 1"
U 1	R11494-34	Nipple 1-1/4" x 2-3/4"
V 2	K66871	Flat Washer
W 1	K89445	Gear Pump
X 2	K62381	Street Elbow 1-1/4" x 90°
Y 1	R11494-25	Nipple 1-1/4" x 2"
Z 1	K12176	Union 1-1/4"
AA 1	N20344	Filter Cover
BB 1	N21737-02	Suction Flange
CC 1	D-1190-00	Pump Mounting Bracket
DD 1	K02309C02	Pipe Plug 1-1/4"
EE 4	K02455	Lockwasher 1/2"
FF 4	B-101-376	Hex Hd. Bolt 1/2-13 x 1-3/4"
GG 1	R11532-73	Suction Pipe 1-1/4" x 31"
HH 1	K02286	Pipe Plug 2"
JJ 1	K61580	Hex Reducing Bushing 2" to 1-1/4"
KK 1	K89036	Suction Element
LL 1	T11927-03	Tank (170 Gal.)
MM 1	N20383	Air Breather (Twist Type)
NN 1	K89553	Pump Step Key
PP 1	K95022	Decal
RR 4	K03239	Hex Hd. Bolt 5/16"-18 x 1-1/2"
SS 4	K83676	Spacer
TT 8	K83674	Rubber Mount
UU 4	N16599-35	Washer.
VV 4	K01945	Hex. Nut 1/2"-13
WW 1	N23012	Pump Mount Kit, Includes Items: W, CC, EE, FF, NN, RR, SS, TT, UU, VV

PANZITTA SALES & SERVICE
72 George Avenue
Wilkes-Barre, PA 18705
570-822-6720 800-822-6720
www.panzittasales.com

**ELECTRIC OIL POWER UNIT FOR MODELS
E 01 AND E 03
(WITH COMMERCIAL SHEARING PUMP)**