

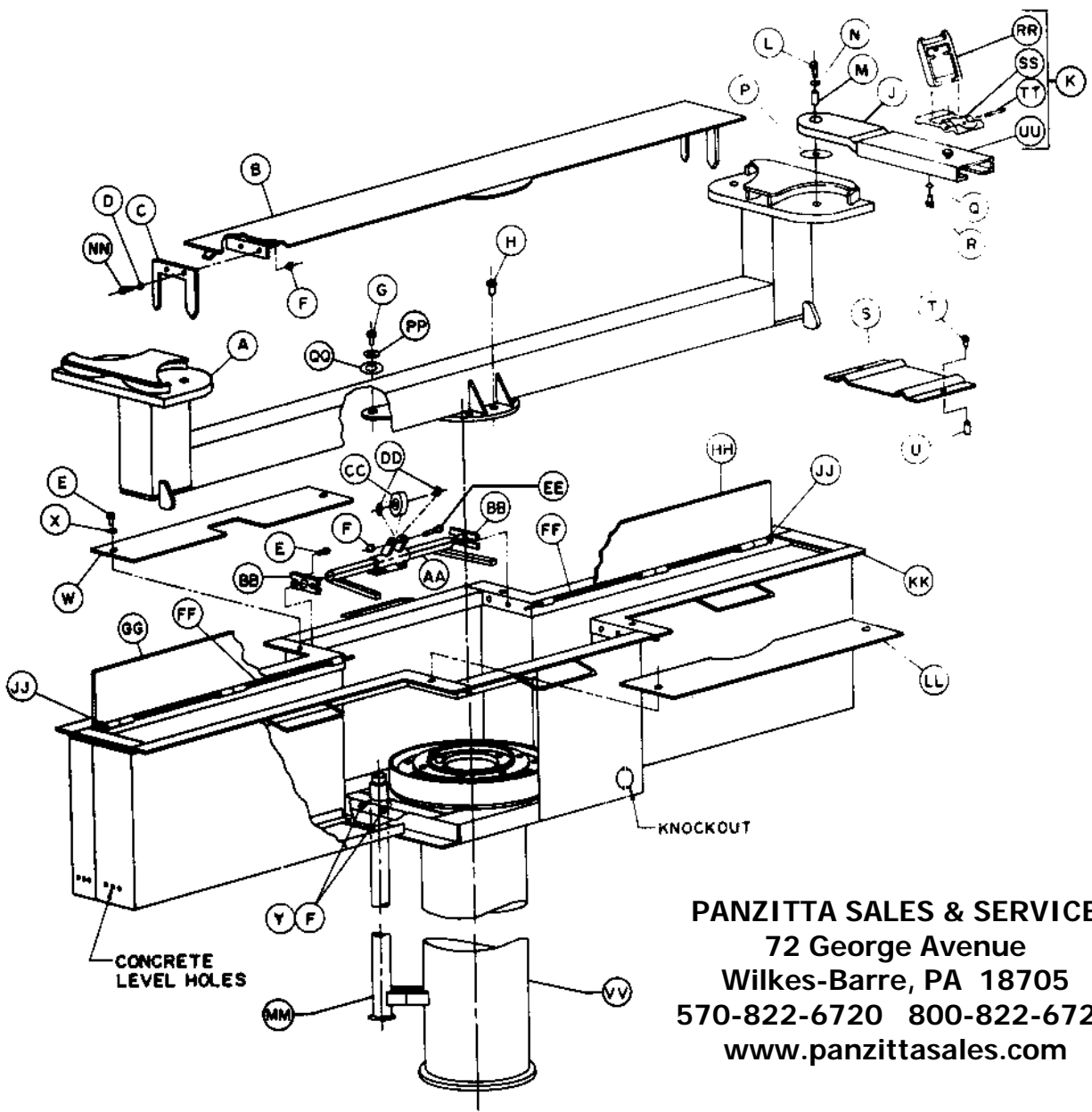
PANZITTA SALES & SERVICE
72 George Avenue
Wilkes-Barre, PA 18705
570-822-6720 800-822-6720
www.panzittasales.com



PARTS LIST
FOR
"SWING RAIL"[®] SINGLE POST DRIVE-THRU LIFT
SEMI-HYDRAULIC LIFTS
A-1AB1A Series
FULL HYDRAULIC LIFTS
A-1AB3A Series

A-1AB1A,A-1AB3A.max

**SERIES A-1AB1A
SERIES A-1AB3A**



PANZITTA SALES & SERVICE
 72 George Avenue
 Wilkes-Barre, PA 18705
 570-822-6720 800-822-6720
 www.panzittasales.com

R16278

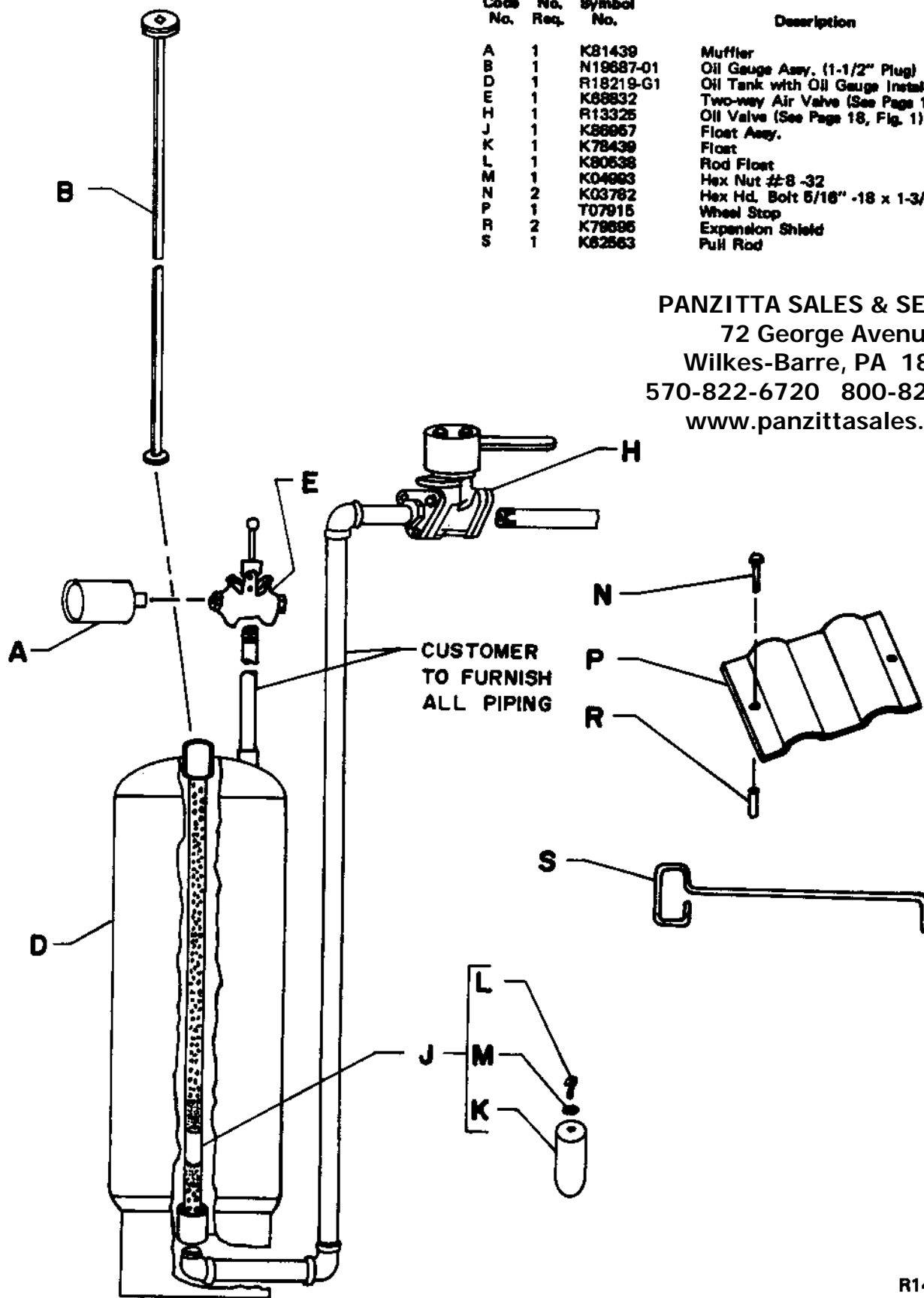
Fig. 6

ITEM	QUAN.	PART NO.	DESCRIPTION	ITEM	QUAN.	PART NO.	DESCRIPTION
A	1	T13958-01	Crosshead Assembly (Full Hyd.)	AA	1	R13426	Door Closing Pivot Bar
A	1	T13958-02	Crosshead Assembly (Semi Hyd.)	BB	2	K88601	Pivot Bracket Assembly
B	1	T09455	Cover Door Assembly	CC	1	K90197	Wheel Assembly
C	2	N19654	Door Guide Bar	DD	2	K02208	Flat Washer, 1/2" Std.
D	4	K50775	Lockwasher, 3/8"	EE	1	K41353	Hex Hd. Bolt, 3/8" -16 x 3-1/4" lg.
E	8	K01902	Hex Hd. Bolt, 3/8" x 1" lg.	FF	2	K88603	Door Hinge Rod
F	7	K01943	Hex Nut, 3/8"	GG	1	R13429-01	Door, 34" lg.
G	1	K01914-64	Hex Hd. Bolt, 1"-8 x 3" lg.	HH	1	R13429-02	Door, 39-1/4" lg.
H	6	Q10412-01	Hex Hd. Bolt, 3/4" -10 x 2-1/4" lg.	JJ	2	K42307	Cotter Pin, 1/8" x 3/4" lg.
J	4	N20275	Swing Arm	KK	1	T13931	Welded Trench Box Assembly
K	4	N20366-02	Lift Adapter Assembly (Includes RR, SS, TT & UU)	LL	1	R13431-01	Cover Plate
L	4	K78272	Hex Hd. Bolt, 7/16" -14 x 2-1/4" lg.	MM	1	N20268-10	Automatic Lock Assy. (68" Rise) (See Page 14 or 15)
M	4	K85825	Swing Arm Pivot Bushing	NN	4	K01903	Hex Hd. Bolt, 3/8" -16 x 1-1/4" lg.
N	4	K02215	Lockwasher, 7/16" Std.	PP	1	K02217-22	Lockwasher, 1"
P	4	K87033	Swing Arm Washer	QQ	1	K02212	Flat Washer, 1"
Q	4	K02455	Lockwasher, 1/2" Std.	RR	4	R16123-02	Pick-up Pad (With Protruded Ends)
R	4	K01909	Hex Hd. Bolt, 1/2" -13 x 1" lg.	SS	4	R12709-02	Swivel Base Pad
S	1	T07915	Wheel Stop	TT	4	Q10038-04	Spiral Pin 5/16" Dia. x 4
T	2	K03782	Hex Hd. Bolt, 5/16" -18 x 1-3/4" lg.	UU	4	R12956-02	Sliding Base Assembly
U	2	K79695	Expansion Shield, 5/16"	VV	1	T13952-01	Plunger & Cylinder Assy. (Semi-Hyd.) (68" Rise)(See Page 14)
W	1	R13430	Cover Plate				
X	4	K02206	Flat Washer, 3/8"	VV	1	T13946-01	Plunger & Cylinder Assy. (Full Hyd.) (68" Rise)(See Page 15)
Y	1	K67996-07	"U" Bolt, 3/8"				

IMPORTANT: Specify Model and Serial Number of Lift. Also Symbol Number and Name of Part.

OIL TANK, GAUGE, VALVES, ETC.

Code No.	No. Req.	Symbol No.	Description
A	1	K81439	Muffler
B	1	N19687-01	Oil Gauge Assy. (1-1/2" Plug)
D	1	R18219-G1	Oil Tank with Oil Gauge Installed
E	1	K68832	Two-way Air Valve (See Page 19, Fig. 2)
H	1	R13325	Oil Valve (See Page 18, Fig. 1)
J	1	K88857	Float Assy.
K	1	K78439	Float
L	1	K80538	Rod Float
M	1	K04993	Hex Nut #8-32
N	2	K03782	Hex Hd. Bolt 5/16" -18 x 1-3/4"
P	1	T07915	Wheel Stop
R	2	K78886	Expansion Shield
S	1	K62563	Pull Rod

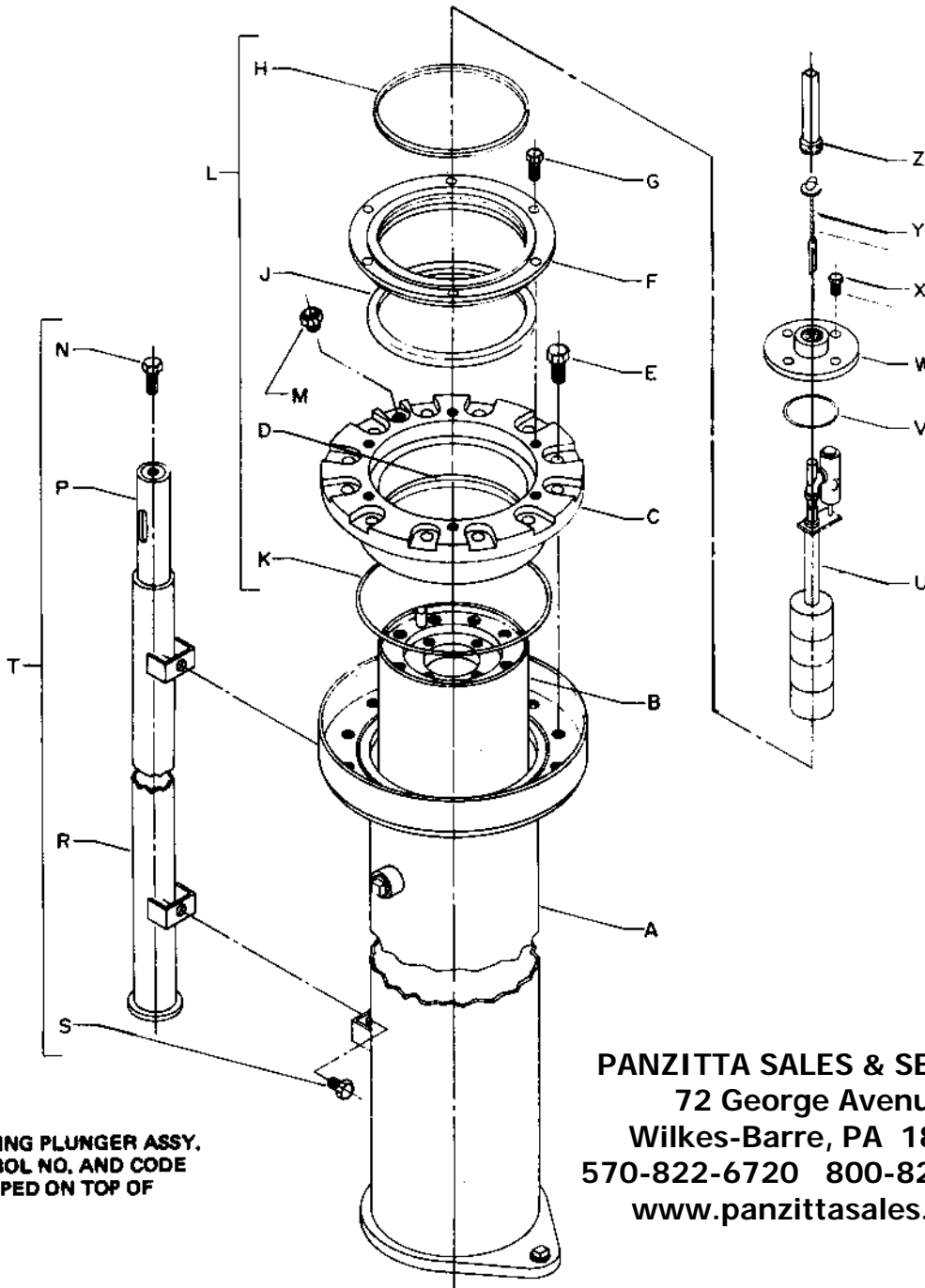


PANZITTA SALES & SERVICE
 72 George Avenue
 Wilkes-Barre, PA 18705
 570-822-6720 800-822-6720
www.panzittasales.com

R14636

IMPORTANT: *Specify Model and Serial Number of Lift. Also Symbol Number and Name of Part.*

PLUNGER AND CYLINDER ASSEMBLY - SEMI HYDRAULIC



***WHEN ORDERING PLUNGER ASSY.
SPECIFY SYMBOL NO. AND CODE
LETTER STAMPED ON TOP OF
PLUNGER.**

PANZITTA SALES & SERVICE
72 George Avenue
Wilkes-Barre, PA 18705
570-822-6720 800-822-6720
www.panzittasales.com

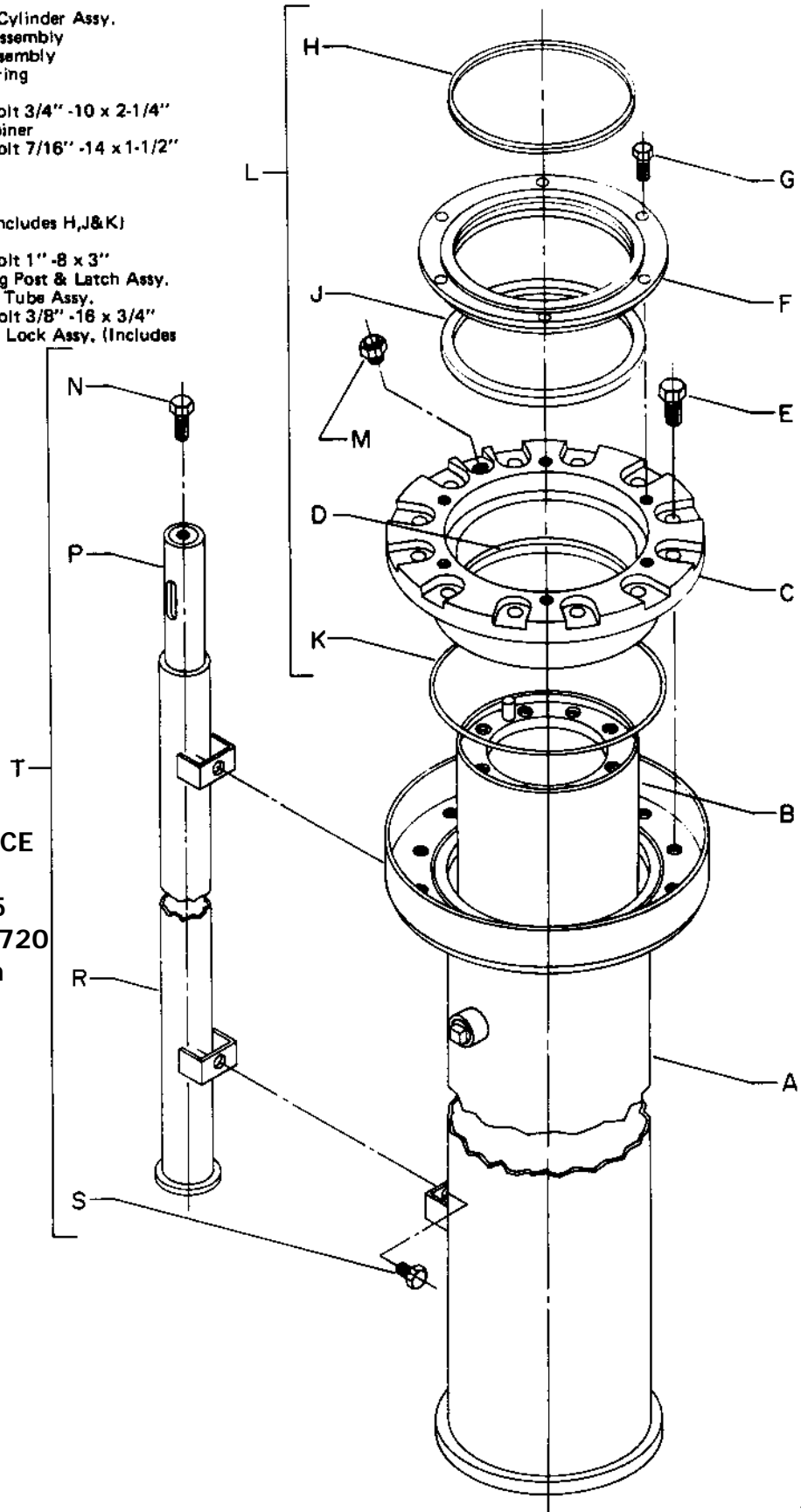
R18275

Code No.	No. Req.	Symbol No.	Description	Code	No.	Description
A	1	T13952-01	Plunger & Cylinder Assembly	M	1	N21812-G1 Air Vent
B	1	T13951-G1	Cylinder Assembly	N	1	K01914-64 Hex Hd. Bolt 1" -8 x 3"
C	1	T13948-G1	Plunger Assembly	P	1	R13470-01 Telescoping Post & Latch Assy.
D	1	T13943-03	Upper Bearing	R	1	R16245-02 Stationary Tube Assy.
E	12	K93210-01	Felt Wiper	S	2	K01901 Hex Hd. Bolt 3/8" -16 x 3/4"
F	1	Q10412-01	Hex Hd. Bolt 3/4" -10 x 2-1/4"	T	1	N20268-10 Automatic Lock Assy. (Includes N,P,R&S)
G	6	R18229	Wiper Retainer	U	1	R13365 Low Oil Control
H	1	K01907	Hex Hd. Bolt 7/16" -14 x 1-1/2"	Y	1	Q10068-32 O-Ring
J	1	K89512	Wiper	W	1	N18842 Cover
K	1	K93213-01	Seal	X	4	K47659 Hex Hd. Bolt 3/8" -16 x 7/8"
L	1	K34151	O-Ring	Y	1	N18490-02 Oil Gauge
			Seal Kit (Includes D,H,J&K)	Z	1	N19661 Cylinder Plug Assy.

IMPORTANT: Specify Model and Serial Number of Lift. Also Symbol Number and Name of Part.

PLUNGER AND CYLINDER ASSEMBLY - FULL HYDRAULIC

Code No.	No. Req.	Symbol No.	Description
	1	T13946-01	Plunger & Cylinder Assy.
A	1	T13937-G1	Cylinder Assembly
B	1	T13935-G1	Plunger Assembly
C	1	T13943-02	Upper Bearing
D	1	K93210-01	Felt Wiper
E	12	Q10412-01	Hex Hd. Bolt 3/4" -10 x 2-1/4"
F	1	R18229	Wiper Retainer
G	6	K01907.3	Hex Hd. Bolt 7/16" -14 x 1-1/2"
H	1	K93212	Wiper
J	1	K89512	Seal
K	1	K93213-01	O-Ring
L	1	K34151	Seal Kit (Includes H,J&K)
M	1	N21812-G1	Air Vent
N	1	K01914-64	Hex Hd. Bolt 1" -8 x 3"
P	1	R13470-01	Telescoping Post & Latch Assy.
R	1	R16245-02	Stationary Tube Assy.
S	2	K01901	Hex Hd. Bolt 3/8" -16 x 3/4"
T	1	N20268-10	Automatic Lock Assy. (Includes N,P,R&S)



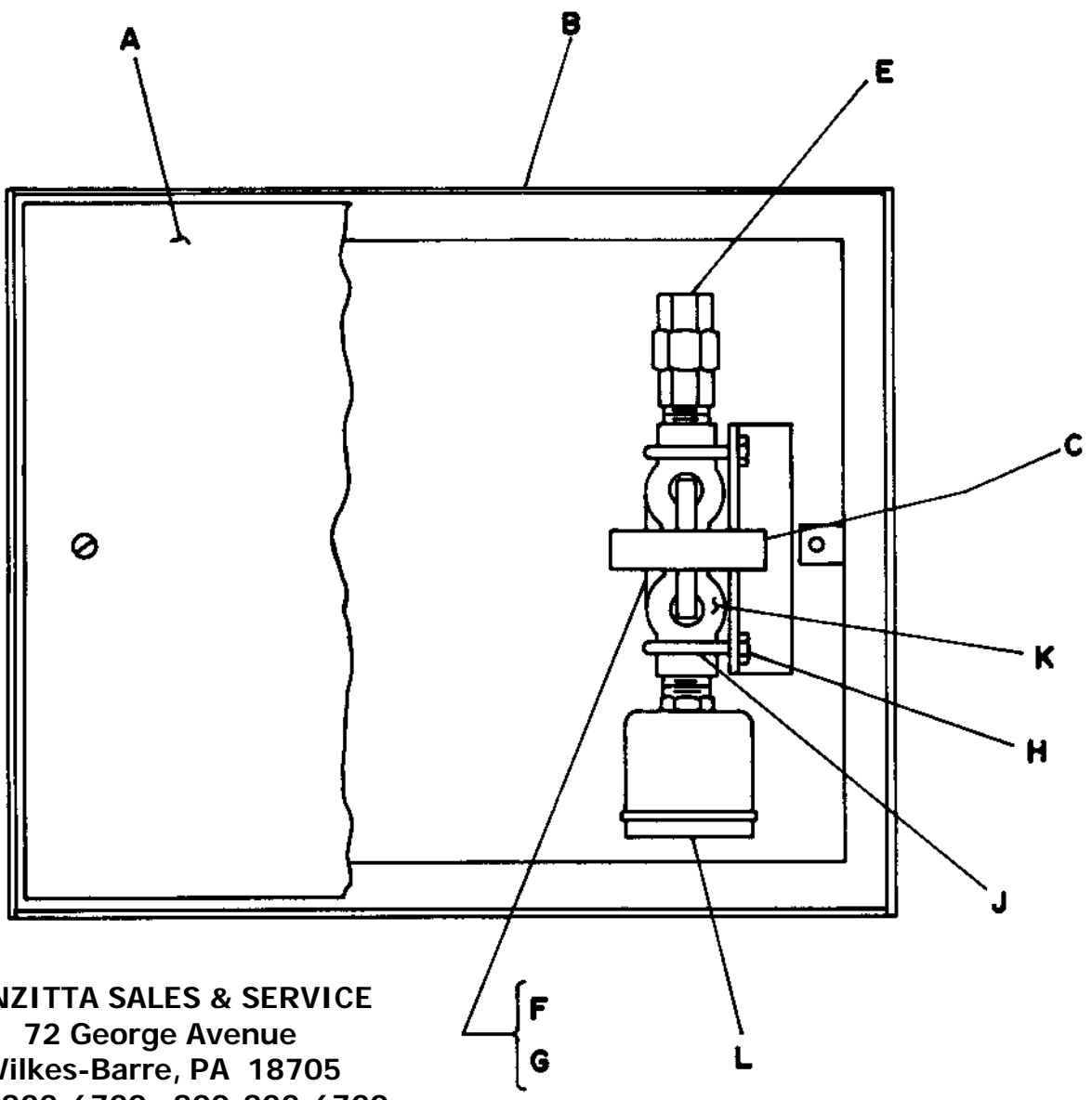
PANZITTA SALES & SERVICE
 72 George Avenue
 Wilkes-Barre, PA 18705
 570-822-6720 800-822-6720
 www.panzittasales.com

*WHEN ORDERING PLUNGER ASSY.
 SPECIFY SYMBOL NO. AND CODE
 LETTER STAMPED ON TOP OF
 PLUNGER.

R16270

IMPORTANT: Specify Model and Serial Number of Lift. Also Symbol Number and Name of Part.

CONTROL BOX ASSEMBLY T09402, SEMI HYDRAULIC (OPTIONAL)



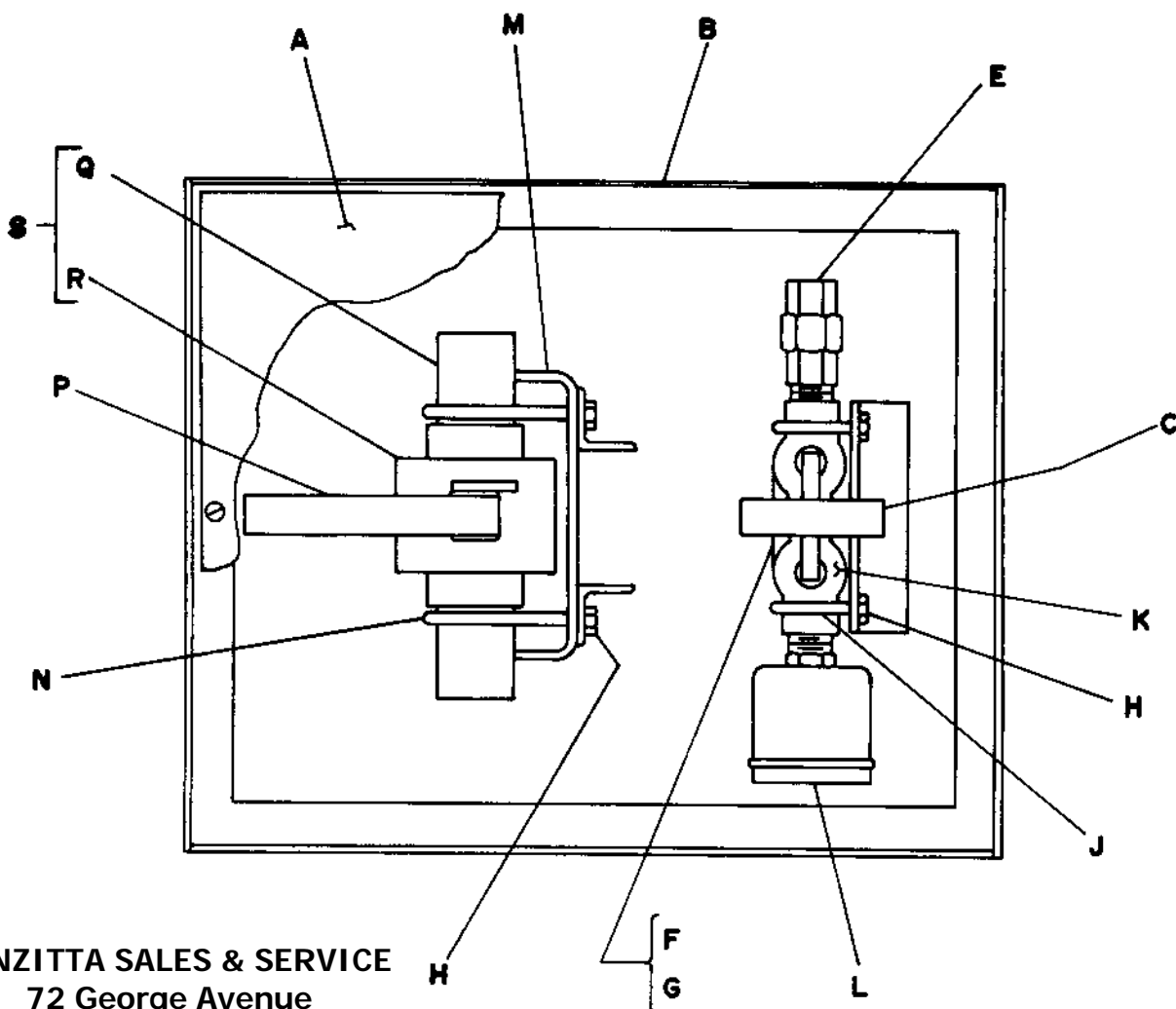
PANZITTA SALES & SERVICE
 72 George Avenue
 Wilkes-Barre, PA 18705
 570-822-6720 800-822-6720
 www.panzittasales.com

R13442

Code No.	No. Req.	Symbol No.	Description	Code No.	No. Req.	Symbol No.	Description
A	1	N19192-01	Cover	G	1	K07801	Elbow 1/2" x 90°
B	1	T09397	Control Box	H	4	K01841	Hex Nut 1/4" -20
C	1	N19107	Air Control Handle Extension	J	2	K87996-02	U-Bolt 1/4" -20
E	2	K82836	Male-Female Union 1/2"	K	1	K85963-03	Air Valve (See Page 19, Fig. 1)
F	1	K44746	Nipple 1/2" x 1-1/2"	L	1	K81439	Muffler

IMPORTANT: Specify Model and Serial Number of Lift. Also-Symbol Number and Name of Part.

CONTROL BOX ASSEMBLY T09395, FULL HYDRAULIC (OPTIONAL)



PANZITTA SALES & SERVICE
 72 George Avenue
 Wilkes-Barre, PA 18705
 570-822-6720 800-822-6720
 www.panzittasales.com

R13440

Code No.	No. Req.	Symbol No.	Description
A	1	R13353	Cover
B	1	T09397	Control Box
C	1	N19184	Air Control Handle Extension
E	2	K62835	Male-Female Union 1/2"
F	1	K44745	Nipple 1/2" x 1-1/2"
G	1	K07801	Elbow 1/2" x 90°
H	8	K01941	Hex Nut 1/4" -20
J	2	K67998-02	U-Bolt 1/4" -20

Code No.	No. Req.	Symbol No.	Description
K	1	K85963-03	Air Valve (See Page 19, Fig. 1)
L	1	K81439	Muffler
M	1	N19868	Bracket
N	2	K67998-06	U-Bolt 1/4" -20
P	1	N19802	Oil Control Handle Extension
Q	2	R11494-24	Nipple 1-1/4" x 2-1/2"
R	1	R14467	Oil Valve (See Page 18, Fig. 2)
S	1	R13351	Oil Valve & Nipply Assy. (Includes Q & R)

IMPORTANT: Specify Model and Serial Number of Lift. Also Symbol Number and Name of Part.

OIL VALVE

PANZITTA SALES & SERVICE
 72 George Avenue
 Wilkes-Barre, PA 18705
 570-822-6720 800-822-6720
 www.panzittasales.com

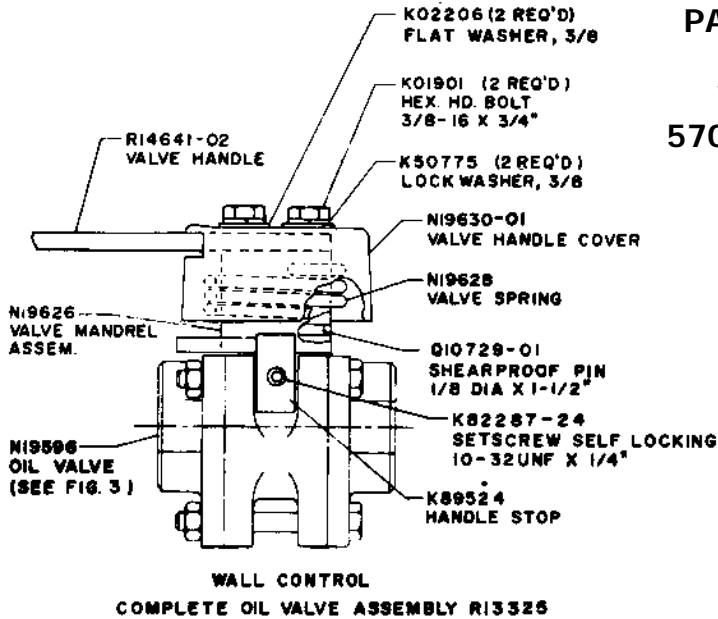


FIG. 1

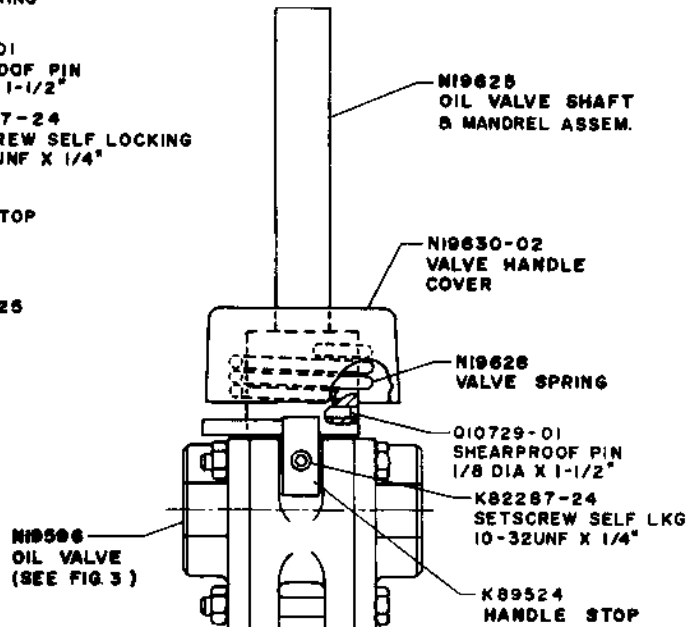


FIG. 2

NOTE: THE REPAIR KITS FOR OIL VALVES LISTED BELOW ARE USED TO CHANGE METHOD OF ASSEMBLING VALVE STEM & MANDREL FROM SETSCREW TO SHEARPROOF PIN. (NOTE: FOR VALVE STEMS AND MANDRELS WHICH ARE ALREADY PINNED, ORDER INDIVIDUAL PARTS AS NEEDED).
 WALL CONTROL REPAIR KIT K34123
 FLOOR CONTROL REPAIR KIT K34124

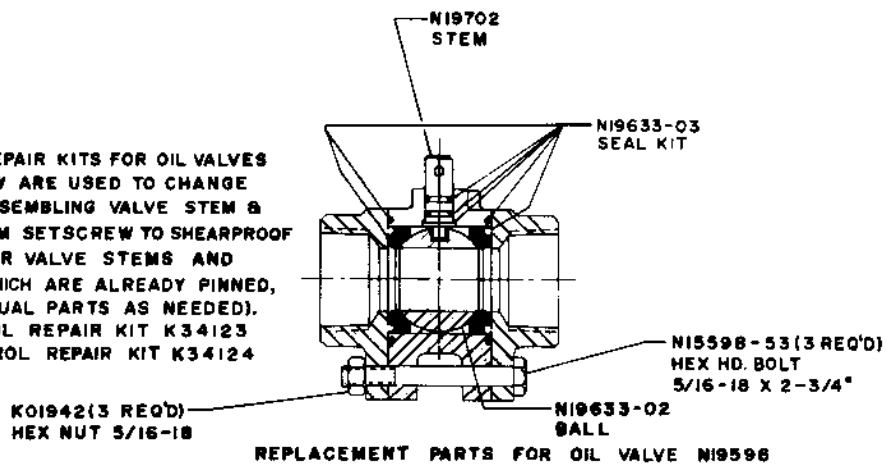
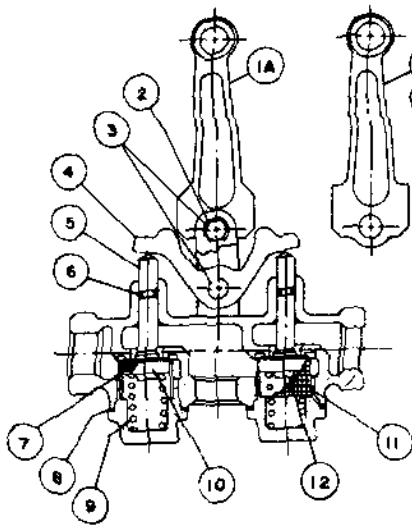


FIG. 3

R14579

IMPORTANT: Specify Model and Serial Number of Lift. Also Symbol Number and Name of Part.

AIR VALVE



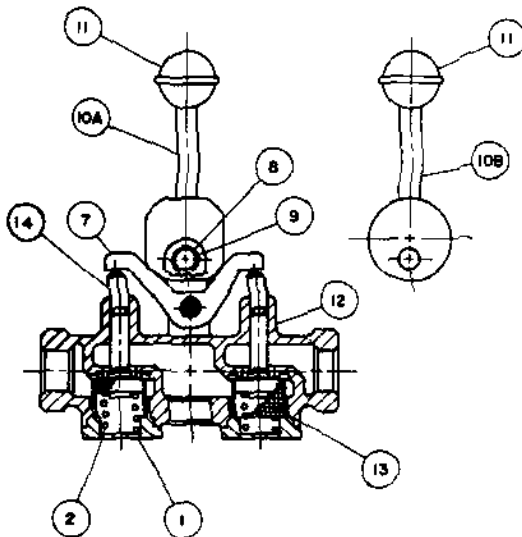
SYMBOL NO.	SYMBOL NO.		QTY	DESCRIPTION
	CONS. BRASS	KINGSTON		
1		N19106	1	LEVER, FLOOR CONTROL
1A	N19494-28		1	LEVER, LOCKING
1B	N19494-27		1	LEVER, NON-LOCKING
1C		K82714-20	1	LEVER, LOCKING
1D		K82714-35	1	LEVER, NON-LOCKING
2	N19494-32	N19494-32	4	RETAINING RING
3	N19494-30	N19494-30	2	CLEVIS PIN
4	N19494-29		1	ROCKER ARM
4A		K82714-23	1	ROCKER ARM
5	N19494-26	K82714-28	2	STEM
6	N19494-21	K82714-27	2	O RING
7	N19494-22	K82714-29	2	SEAT WASHER
8	N19494-23		2	FIBER WASHER
9	N19494-20	K82714-32	2	SPRING
10	N19494-25	K82714-30	2	SEAT HOLDER
11	N19494-31		2	SCREEN
12		K82714-31	2	STEM NUT

PANZITTA SALES & SERVICE
 72 George Avenue
 Wilkes-Barre, PA 18705
 570-822-6720 800-822-6720
 www.panzittasales.com

FIG. 1

TO ORDER A COMPLETE VALVE ASSEMBLY, THE PART NUMBERS ARE:
 LOCKING TYPE (FULL HYDRAULIC WALL CONTROL) - K68832
 DEADMAN TYPE (SEMI-HYDRAULIC WALL CONTROL) - K85963 & K85963-02
 DEADMAN TYPE (ALL FLOOR CONTROL) - K85963-03

FOR AIR VALVE REPLACEMENT PARTS, FIRST DETERMINE MFR. OF VALVE:
 IF MFR. IS KINGSTON, USE PARTS LIST ABOVE (FIG. 1)
 IF MFR. IS CONSOLIDATED BRASS AND VALVE HAS A ONE-PIECE CAST HANDLE,
 USE PARTS LIST ABOVE (FIG. 1)
 IF MFR. IS CONSOLIDATED BRASS AND VALVE HAS A TWO-PIECE HANDLE WITH
 A PLASTIC KNOB, USE PARTS LIST BELOW (FIG. 2)



SYMBOL NO.	SYMBOL NO.		QTY	DESCRIPTION
	CONS. BRASS			
1	N20389-01		2	CAP
2	N20389-02		2	SPRING
7	N20389-07		1	ROCKER
8	N20389-08		2	CLEVIS PIN
9	N20389-09		4	RETAINING RING
10A	N20389-10		1	LEVER, LOCKING
10B	N20389-11		1	LEVER, NON-LOCKING
11	N20389-12		1	KNOB
12	N20389-13		1	BODY
13	N20389-14		2	SCREEN
14	N20389-15		2	STEM ASSEMBLY

FIG. 2

R14580

IMPORTANT: Specify Model and Serial Number of Lift. Also Symbol Number and Name of Part.