

PANZITTA SALES & SERVICE  
72 George Avenue  
Wilkes-Barre, PA 18705  
570-822-6720 800-822-6720  
[www.panzittasales.com](http://www.panzittasales.com)

# **MANITOWOC LIFTS**

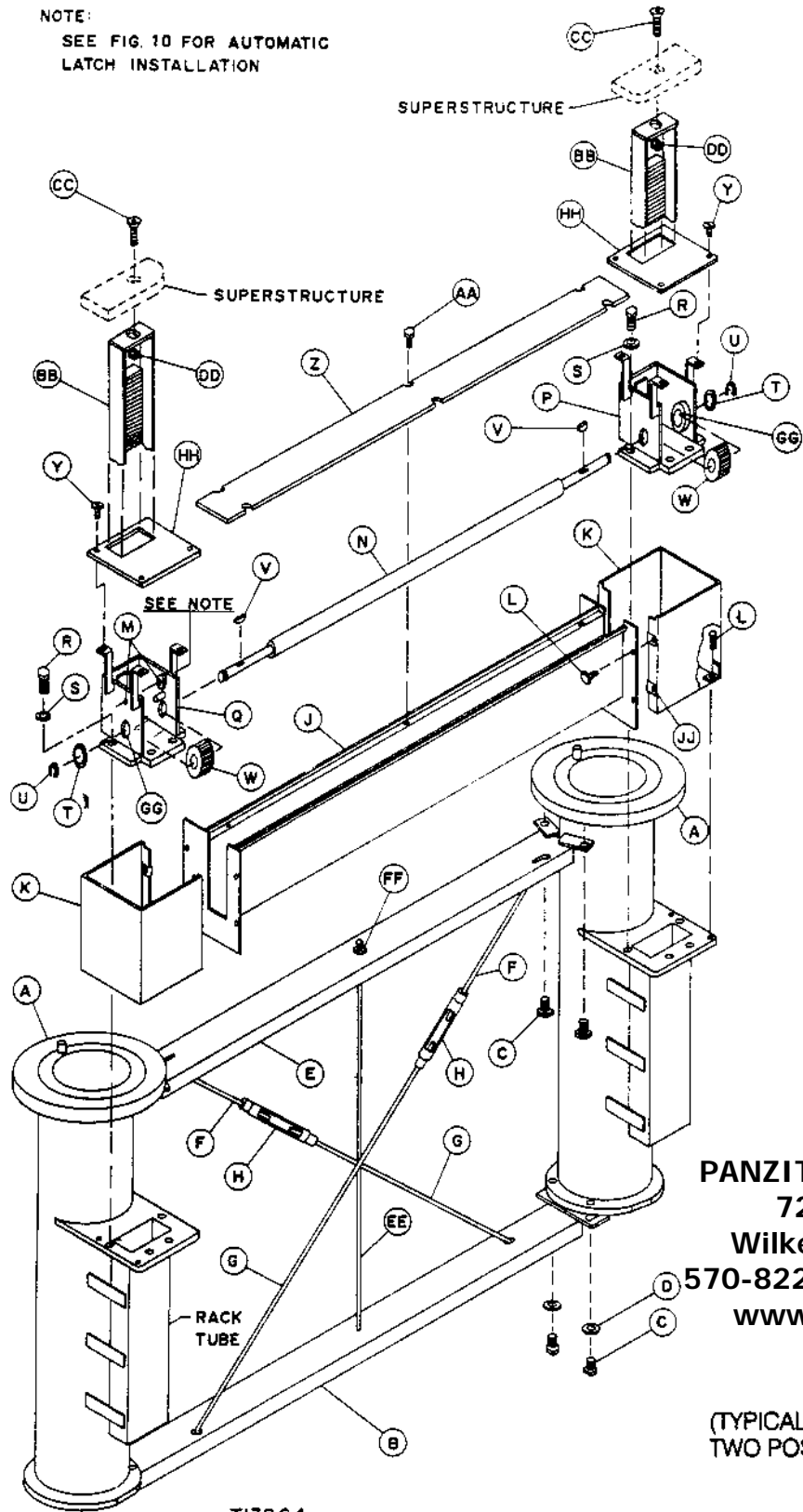
## **PARTS LIST**

**SWING-RAIL® TWO-POST FULL HYDRAULIC LIFTS**  
**DRIVE-THRU A-12D3A SERIES**  
**DRIVE-THRU "575" A-12E3A SERIES**  
**TWO-POST FULL HYDRAULIC ALIGNMENT LIFTS**  
**A-12L3A & A-12N3A SERIES**

A-12D3A,A-12E3A,A12L3A,A-12N3A.max

When ordering replacement parts, always mention lift model number and serial number.

NOTE:  
SEE FIG. 10 FOR AUTOMATIC  
LATCH INSTALLATION



PANZITTA SALES & SERVICE  
72 George Avenue  
Wilkes-Barre, PA 18705  
570-822-6720 800-822-6720  
www.panzittasales.com

(TYPICAL FOR ALL  
TWO POST LIFTS)

# ASSEMBLY OF: RACK AND PINION, PINION BOX, CYLINDER WITH UPPER AND LOWER BRACE

A-12D3A, A-12E3A, A-12L3A, A-12N3A SERIES

A-12D3A,A-12E3A,A12L3A,A-12N3A.max

**PANZITTA SALES & SERVICE**  
**72 George Avenue**  
**Wilkes-Barre, PA 18705**  
**570-822-6720 800-822-6720**  
**www.panzittasales.com**

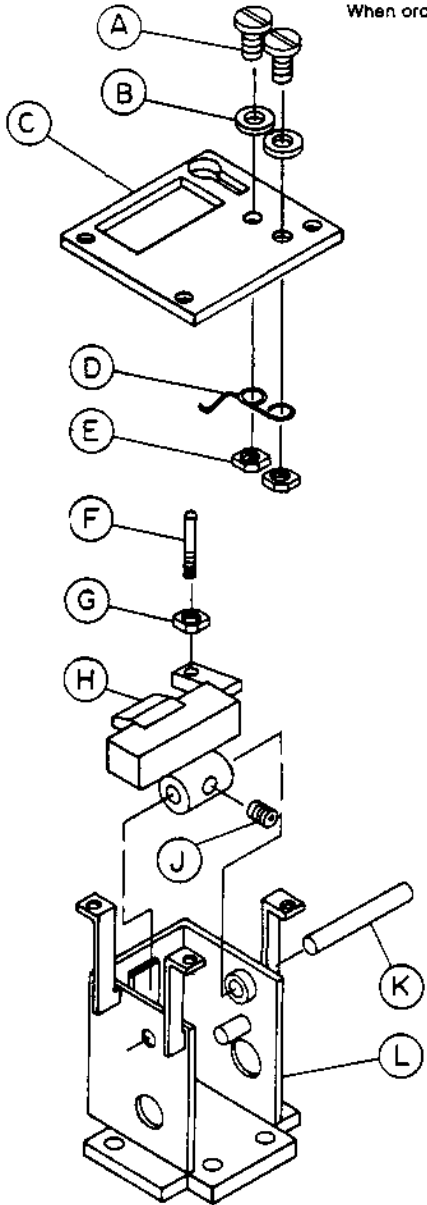
When ordering replacement parts, always mention lift model number and serial number.

Code No.	No. Req.	Symbol No.	Description	
A	2	T13916-01	Plunger & Cylinder Assembly (See Page 14 )	(Model 12D)(Model 12L)
A	2	T13916-02	Plunger & Cylinder Assembly (See Page 14 )	(Model 12E)(Model 12N)
B	1	R16266-01	Lower Brace	(Model 12D)(Model 12L)
B	1	R16266-02	Lower Brace	(Model 12E)(Model 12N)
C	8	K01909	Hex Hd. Bolt 1/2" -13 x 1	
D	4	K02208	Flat Washer 1/2"	
E	1	R16267-01	Upper Brace	(Model 12D)(Model 12L)
E	1	R16267-02	Upper Brace	(Model 12E)(Model 12N)
F	2	N19267-02	Tie Rod-Upper	
G	2	N19267-04	Tie Rod-Lower	(Model 12D)(Model 12L)
G	2	N19267-05	Tie Rod-Lower	(Model 12E)(Model 12N)
H	2	Q10103-05	Turn Buckle	
J	1	N19271	Pinion Box Ctr. Sect.	(Model 12D)(Model 12L)
J	1	N19271-01	Pinion Box Ctr. Sect.	(Model 12E)(Model 12N)
K	2	N19263	Pinion Box End Sect.	
L	12	K05287	Hex Hd. Bolt 1/4" -20 x 1/2"	
M	2	N16990-55	Bearing (Part of Q)	
N	1	N19303-02	Pinion Shaft Assy.	(Model 12D)(Model 12L)
N	1	N19303-03	Pinion Shaft Assy.	(Model 12E)(Model 12N)
P	1	R13423	Pinion Support R.H.	
Q	1	R13422	Pinion Support L.H.	
R	8	Q10412-07	Hex Hd. Bolt 3/8" -16 x 1"	
S	8	K50775	Lockwasher 3/8"	
T	2	K65235-24	Flat Washer 1-5/16"	
U	2	K74051	Retaining Ring	
V	2	K07536-01	Woodruff Key	
W	2	K87046	Pinion	
X	1	R13105	Pinion Box Cover-End	
Y	6	K02879	Round Hd. Screw 1/4" -20 x 3/4"	
Z	1	R13065	Pinion Box Cover-Center	(Model 12D)(Model 12L)
Z	1	R13065-01	Pinion Box Cover-Center	(Model 12E)(Model 12N)
AA	6	K60521-24	Hex Hd. Self Tapping Screw #14 x 5/8"	
BB	2	N19253	Rack Assy.	
CC	2	Q10098-84	Flat Hd. Screw 3/4" -10 x 2-1/2"	(Model 12D)
CC	2	Q10035-34	Socket Hd. Cap Screw 3/4" -10 x 2-3/4"	(Model 12E)
DD	2	Q10404-01	Locking Nut 3/4" -10	
EE	1	K89121	Tie Rod	(Model 12D)(Model 12L)
FF	2	K01945	Hex Nut 1/2" -13	(Model 12D)(Model 12L)
GG	2	N16990-36	Bearing (Part of P & Q)	
HH	1	R14529	Pinion Box Cover - Auto Lock	
JJ	8	K81038-24	Speed Nut Type "U" 1/4" -20	

A-12D3A,A-12E3A,A12L3A,A-12N3A.max

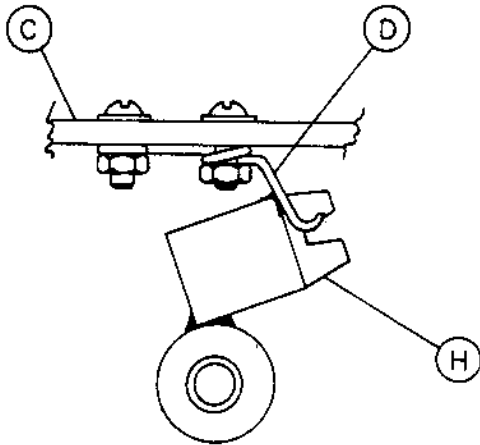
**PANZITTA SALES & SERVICE**  
**72 George Avenue**  
**Wilkes-Barre, PA 18705**  
**570-822-6720 800-822-6720**  
**www.panzittasales.com**

When ordering replacement parts, always mention lift model number and serial number.



Code No.	No. Req.	Symbol No.	Description
A	2	K02879	Round Hd. Screw 1/4 -20 x 3/4"
B	2	K65235-20	Flat Washer 1/4"
C	1	R14529	Pinion Box Cover - Auto Latch
D	1	N19704	Spring
E	2	Q10218-06	Hex Nut, Self Locking 1/4 -20
F	1	K88435	Handle
G	1	K01934	Hex Jam Nut, 3/8 -16
H	1	R13382	Automatic Latch
J	1	K82287-20	Set Screw Locking, 1/4 -20 x 5/16"
K	1	K87045	Latch Shaft
L	1	R13422	Pinion Support L.H.

**PANZITTA SALES & SERVICE**  
 72 George Avenue  
 Wilkes-Barre, PA 18705  
 570-822-6720 800-822-6720  
[www.panzittasales.com](http://www.panzittasales.com)



ASSEMBLED VIEW

N20223

Fig. 10

## INSTALLATION OF AUTOMATIC LATCH

A-12D3A, A-12E3A, A-12L3A, A-12N3A SERIES

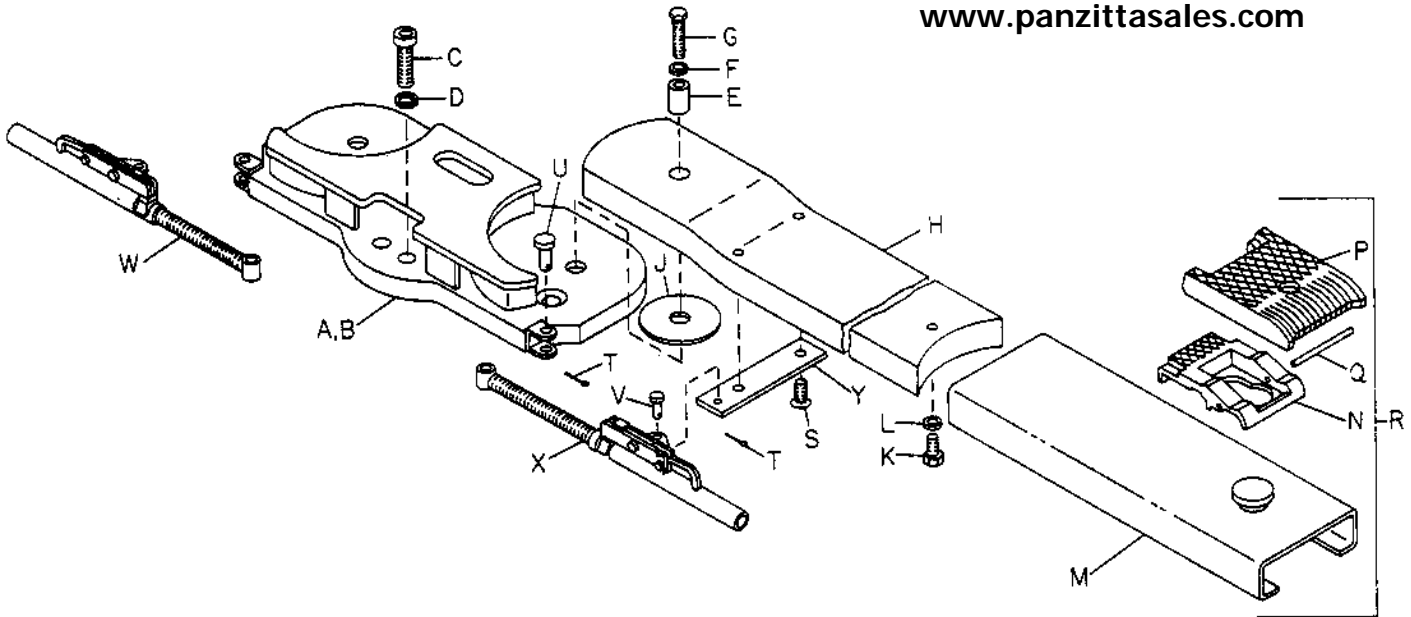
A-12D3A,A-12E3A,A12L3A,A-12N3A.max

When ordering replacement parts, always mention lift model number and serial number.

Code No. No. Req.	Symbol No.	Description	Code No. No. Req.	Symbol No.	Description
A	1	R18253-G1	P	4	R16123-02
B	1	R18253-G2	Q	4	Q10038-04
*C	8	Q10035-34	R	4	N20366-02
D	8	K02216			
E	4	K85825	S	8	Q10098-59
F	4	K02215	T	8	K02128
G	4	K78272	U	4	Q10167-03
H	4	N21841	V	4	Q10167-04
J	4	K87033	W	2	R18254-G2
K	4	K01909	X	2	R18254-G1
L	4	K02455	Y	4	N21840
M	4	R12956-02			
N	4	R12709-02			

\* 150,000 PSI Min. Tensile Strength Bolts.

**PANZITTA SALES & SERVICE**  
 72 George Avenue  
 Wilkes-Barre, PA 18705  
 570-822-6720 800-822-6720  
 www.panzittasales.com



**MODEL A-12D3A**

## SWING-RAIL TWO POST DRIVE-THRU SUPERSTRUCTURE

A-12D3A, A-12E3A, A-12L3A, A-12N3A SERIES

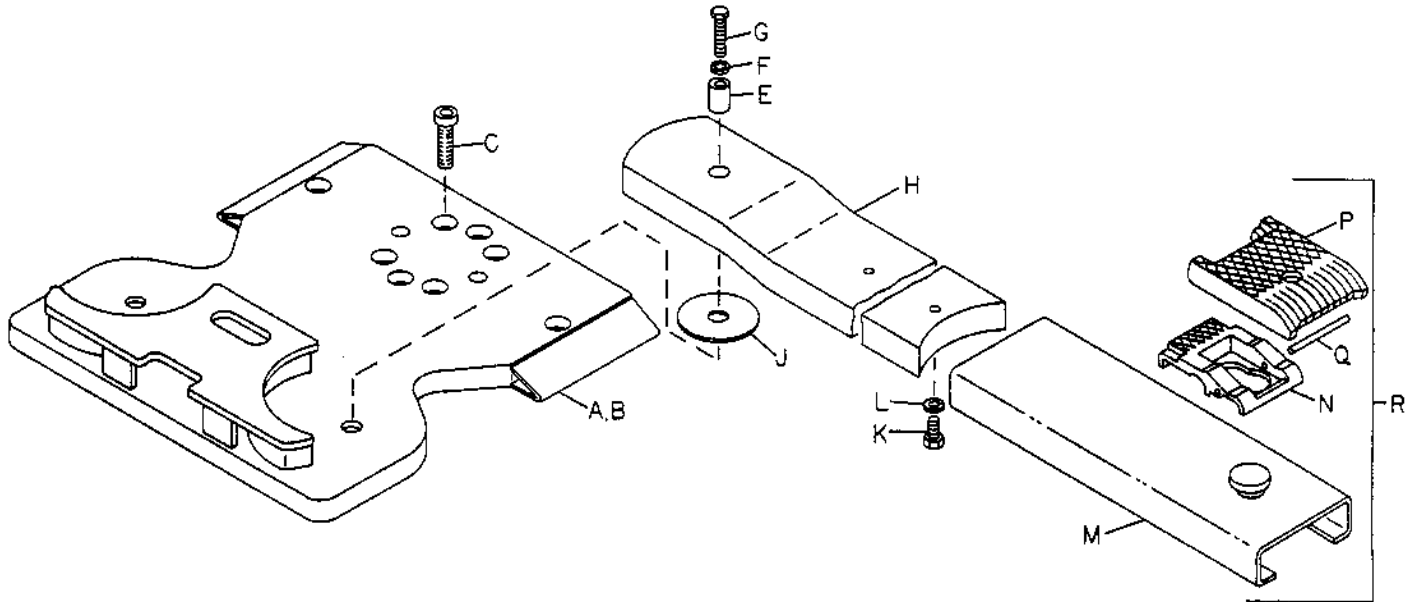
A-12D3A,A-12E3A,A12L3A,A-12N3A.max

When ordering replacement parts, always mention lift model number and serial number.

Code No. No. Req.	Symbol No.	Description	Code No. No. Req.	Symbol No.	Description	
A	1	T13914-01	L	8	K02455	Lockwasher 1/2"
B	1	T13914-02	M	4	R12956-02	Sliding Base Assembly
C	12	Q10035-34	N	4	R12709-02	Swivel Pad Base
E	4	K85825	P	4	R16123-02	Pickup Pad (With Protruded Ends)
F	4	K02215	Q	4	Q10038-04	Spiral Pin
G	4	K78272	R	4	N20366-02	Lift Adapter Assembly (Includes M, N, P & Q) (With Protruded Ends)
H	4	N20275				
J	4	K87033				
K	8	K01909				

\* 150,000 PSI Min. Tensile Strength Bolt

**PANZITTA SALES & SERVICE**  
 72 George Avenue  
 Wilkes-Barre, PA 18705  
 570-822-6720 800-822-6720  
 www.panzittasales.com



MODEL A-12E3A

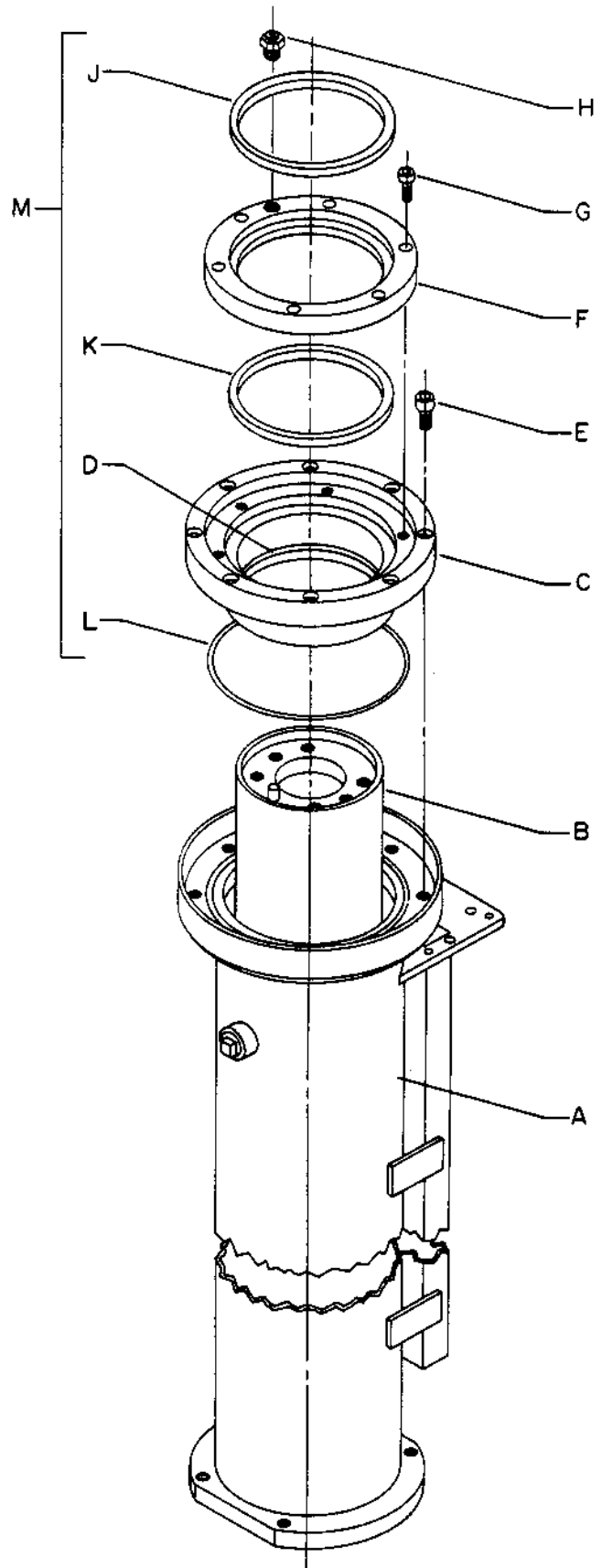
## SWING-RAIL TWO POST DRIVE-THRU "575" SUPERSTRUCTURE

A-12D3A, A-12E3A, A-12L3A, A-12N3A SERIES

A-12D3A,A-12E3A,A12L3A,A-12N3A.max

When ordering replacement parts, always mention lift model number and serial number.

Code No. No. Req.	Symbol No.	Description
	2	T13916-01
	2	T13916-02
A	2	K92938
B	2	K92930
B	2	K92931
C	2	K92960
D	2	Felt Wiper
E	16	K92928-02
F	2	K92958
G	12	K92928-01
H	2	K92950
J	2	Wiper
K	2	Seal
L	2	O-Ring
M	2	K34300
		Seal Kit (Includes J, K & L)



**PANZITTA SALES & SERVICE**  
 72 George Avenue  
 Wilkes-Barre, PA 18705  
 570-822-6720 800-822-6720  
 www.panzittasales.com

**NOTE:**  
 WHEN ORDERING PLUNGER ASSY.,  
 SPECIFY SYMBOL NO. AND  
 BEARING CODE LETTER STAMPED  
 ON TOP OF PLUNGER.  
 FOR REPLACEMENT PLUNGER,  
 ORDER KIT NO. K92935

(TYPICAL FOR ALL  
 TWO POST LIFTS)

R16271

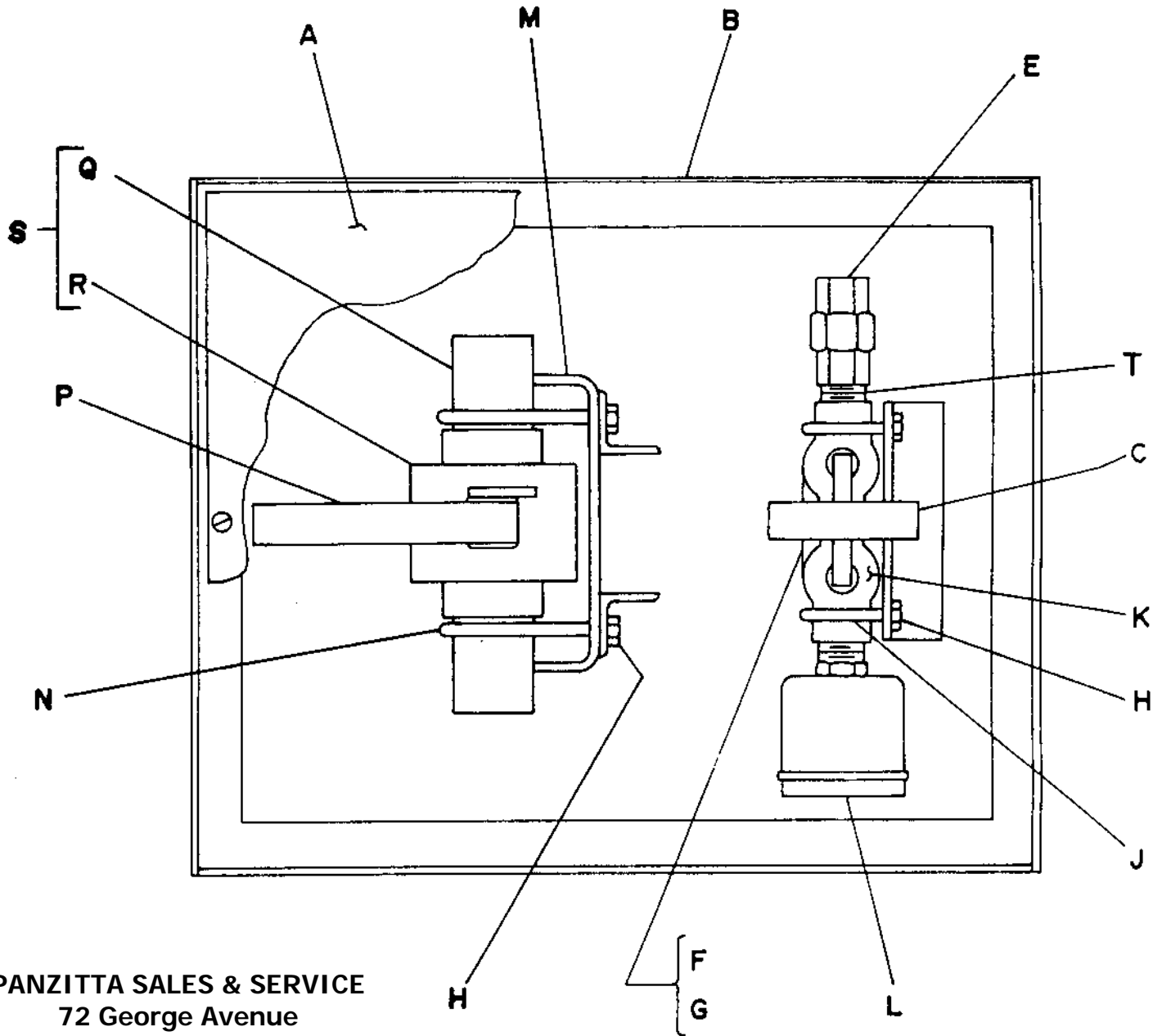
## PLUNGER AND CYLINDER ASSEMBLY

A-12D3A, A-12E3A, A-12L3A, A-12N3A SERIES

A-12D3A,A-12E3A,A12L3A,A-12N3A.max

When ordering replacement parts, always mention lift model number and serial number.

Code No. No. Req.	Symbol No.	Description	Code No. No. Req.	Symbol No.	Description		
A	1	R13353	Cover	L	1	K81439	Muffler
B	1	T09397	Control Box	M	1	N19668	Bracket
C	1	N19184	Air Control Handle Extension	N	2	K67996-06	U-Bolt 1/4"-20
E	2	K07798	Union 1/2"	P	1	N19602	Oil Control Handle Extension
F	1	K44745	Nipple 1/2" x 1-1/2"	Q	2	R11494-24	Nipple 1/4" x 2-1/2"
G	1	K07801	Elbow 1/2" x 90°	R	1	R14467	Oil Valve (See Page 17, Fig. 2)
H	8	K01941	Hex Nut 1/4"-20	S	1	R13351	Oil Valve & Nipple Assy. (Includes Q & R)
J	2	K67996-02	U-Bolt 1/4"-20	T	1	N16771	1/2" Close Nipple
K	1	K85963-03	Air Valve (See Page 18, Fig. 1)				



PANZITTA SALES & SERVICE  
 72 George Avenue  
 Wilkes-Barre, PA 18705  
 570-822-6720 800-822-6720  
 www.panzittasales.com

RI3440

## CONTROL BOX ASSEMBLY TO9395 FULL HYDRAULIC (OPTIONAL)

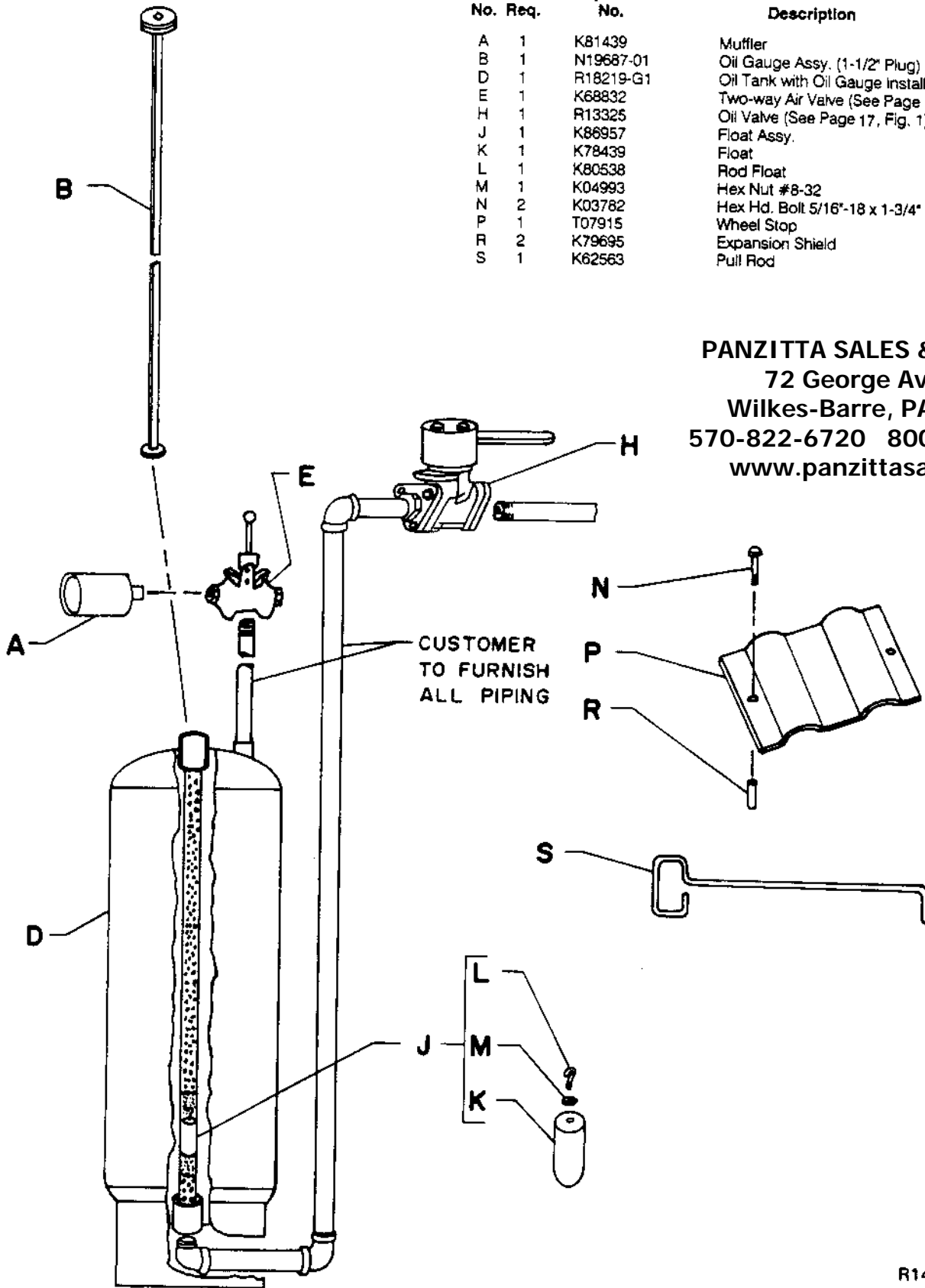
A-12D3A, A-12E3A, A-12L3A, A-12N3A SERIES

A-12D3A,A-12E3A,A12L3A,A-12N3A.max

When ordering replacement parts, always mention lift model number and serial number.

Code No.	No. Req.	Symbol No.	Description
A	1	K81439	Muffler
B	1	N19687-01	Oil Gauge Assy. (1-1/2" Plug)
D	1	R18219-G1	Oil Tank with Oil Gauge Installed
E	1	K68832	Two-way Air Valve (See Page 18, Fig. 2)
H	1	R13325	Oil Valve (See Page 17, Fig. 1)
J	1	K86957	Float Assy.
K	1	K78439	Float
L	1	K80538	Rod Float
M	1	K04993	Hex Nut #8-32
N	2	K03762	Hex Hd. Bolt 5/16"-18 x 1-3/4"
P	1	T07915	Wheel Stop
R	2	K79695	Expansion Shield
S	1	K62563	Pull Rod

**PANZITTA SALES & SERVICE**  
 72 George Avenue  
 Wilkes-Barre, PA 18705  
 570-822-6720 800-822-6720  
 www.panzittasales.com



R14635

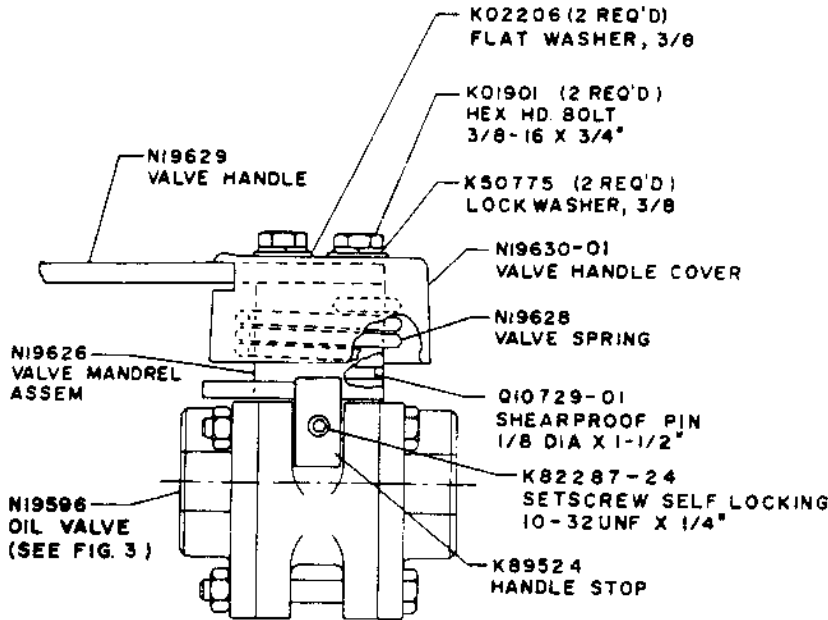
## OIL TANK, GAUGE, VALVES, ETC.

A-12D3A, A-12E3A, A-12L3A, A-12N3A SERIES

A-12D3A,A-12E3A,A12L3A,A-12N3A.max

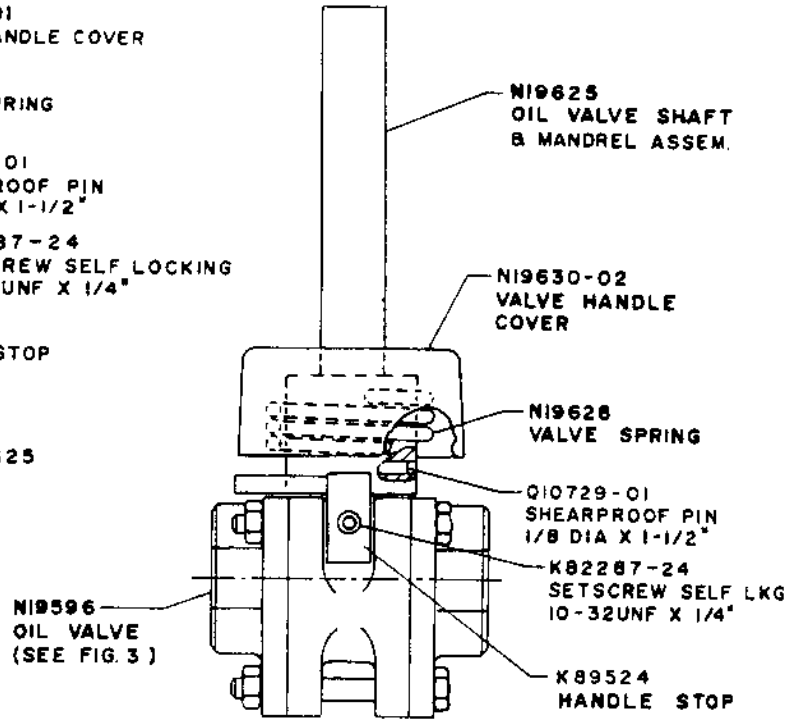
When ordering replacement parts, always mention lift model number and serial number.

**PANZITTA SALES & SERVICE**  
 72 George Avenue  
 Wilkes-Barre, PA 18705  
 570-822-6720 800-822-6720  
 www.panzittasales.com



WALL CONTROL  
 COMPLETE OIL VALVE ASSEMBLY R13325

FIG. 1



FLOOR CONTROL  
 COMPLETE OIL VALVE ASSEMBLY R14467

FIG. 2

**NOTE:** THE REPAIR KITS FOR OIL VALVES LISTED BELOW ARE USED TO CHANGE METHOD OF ASSEMBLING VALVE STEM & MANDREL FROM SETSCREW TO SHEARPROOF PIN. (NOTE: FOR VALVE STEMS AND MANDRELS WHICH ARE ALREADY PINNED, ORDER INDIVIDUAL PARTS AS NEEDED).  
 WALL CONTROL REPAIR KIT K34123  
 FLOOR CONTROL REPAIR KIT K34124

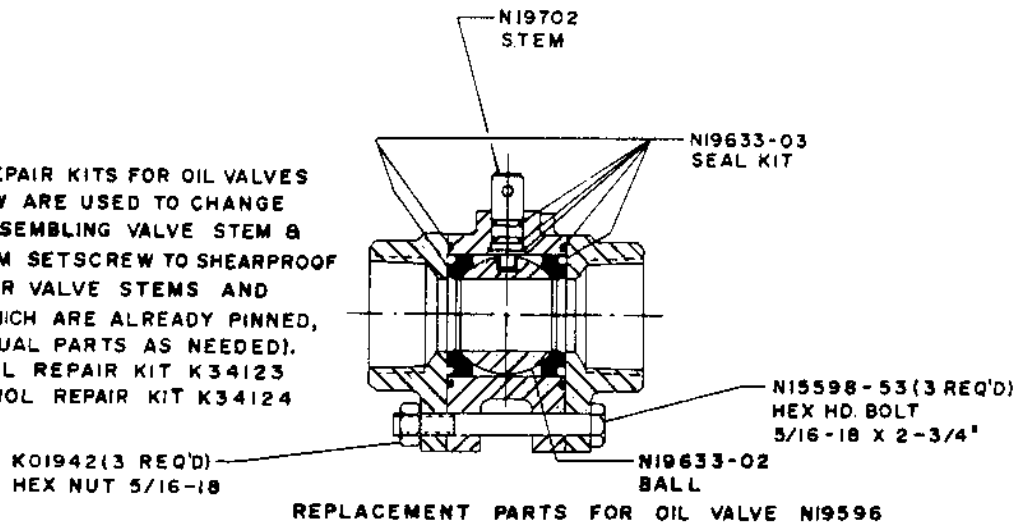
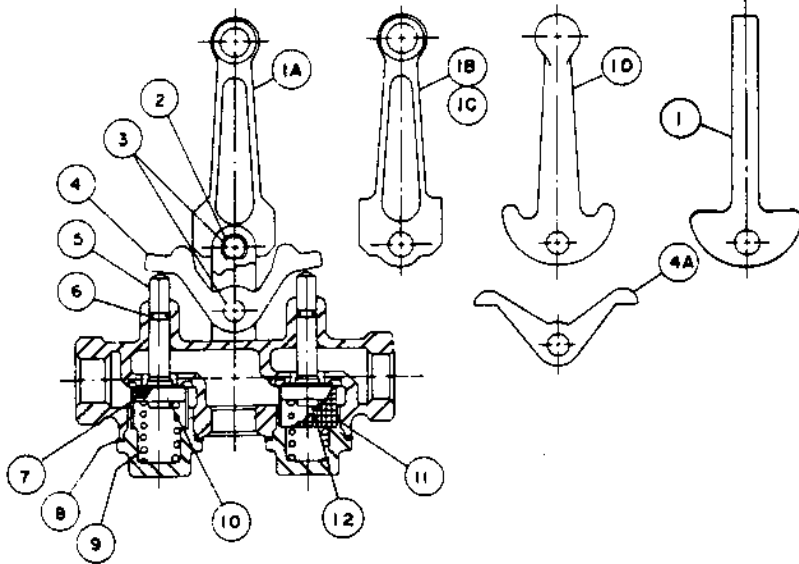


FIG. 3

## OIL VALVE

R14579

When ordering replacement parts, always mention lift model number and serial number.



SYM. NO.	SYMBOL NO.		QTY	DESCRIPTION
	CONS. BRASS	KINGSTON		
1		N19106	1	LEVER, FLOOR CONTROL
1A	N19494-28		1	LEVER, LOCKING
1B	N19494-27		1	LEVER, NON-LOCKING
1C		K82714-20	1	LEVER, LOCKING
1D		K82714-35	1	LEVER, NON-LOCKING
2	N19494-32	N19494-32	4	RETAINING RING
3	N19494-30	N19494-30	2	CLEVIS PIN
4	N19494-29		1	ROCKER ARM
4A		K82714-23	1	ROCKER ARM
5	N19494-26	K82714-28	2	STEM
6	N19494-21	K82714-27	2	"O" RING
7	N19494-22	K82714-29	2	SEAT WASHER
8	N19494-23		2	FIBER WASHER
9	N19494-20	K82714-32	2	SPRING
10	N19494-25	K82714-30	2	SEAT HOLDER
11	N19494-31		2	SCREEN
12		K82714-31	2	STEM NUT

**PANZITTA SALES & SERVICE**  
 72 George Avenue  
 Wilkes-Barre, PA 18705  
 570-822-6720 800-822-6720  
[www.panzittasales.com](http://www.panzittasales.com)

FIG. 1

TO ORDER A COMPLETE VALVE ASSEMBLY, THE PART NUMBERS ARE:

LOCKING TYPE (FULL HYDRAULIC WALL CONTROL) - K68832

DEADMAN TYPE (SEMI-HYDRAULIC WALL CONTROL) - K85963 & K85963-02

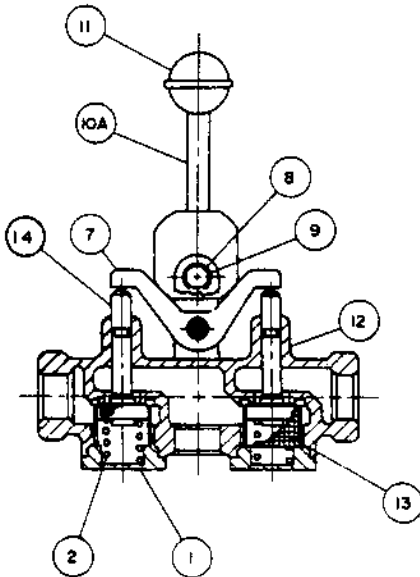
DEADMAN TYPE (ALL FLOOR CONTROL) - K85963-03

FOR AIR VALVE REPLACEMENT PARTS, FIRST DETERMINE MFR OF VALVE:

IF MFR. IS KINGSTON, USE PARTS LIST ABOVE (FIG. 1)

IF MFR. IS CONSOLIDATED BRASS AND VALVE HAS A ONE-PIECE CAST HANDLE, USE PARTS LIST ABOVE (FIG. 1)

IF MFR. IS CONSOLIDATED BRASS AND VALVE HAS A TWO-PIECE HANDLE WITH A PLASTIC KNOB, USE PARTS LIST BELOW (FIG. 2)



SYM. NO.	SYMBOL NO.		QTY	DESCRIPTION
	CONS. BRASS			
1	N20389-01		2	CAP
2	N20389-02		2	SPRING
7	N20389-07		1	ROCKER
8	N20389-08		2	CLEVIS PIN
9	N20389-09		4	RETAINING RING
10A	N20389-10		1	LEVER, LOCKING
11	N20389-12		1	KNOB
12	N20389-13		1	BODY
13	N20389-14		2	SCREEN
14	N20389-15		2	STEM ASSEMBLY

FIG. 2

## AIR VALVE

R14662

A-12D3A, A-12E3A, A-12L3A, A-12N3A SERIES

A-12D3A,A-12E3A,A12L3A,A-12N3A.max