

PANZITTA SALES & SERVICE  
72 George Avenue  
Wilkes-Barre, PA 18705  
570-822-6720 800-822-6720  
www.panzittasales.com

# MANITOWOC LIFTS

PARTS LIST

## CFF-90

### FREE FLOOR ASYMMETRIC LIFT

F-52A40D0500 (208/230V., 1PH.)

F-52A50D0500 (200/230V., 3PH.)

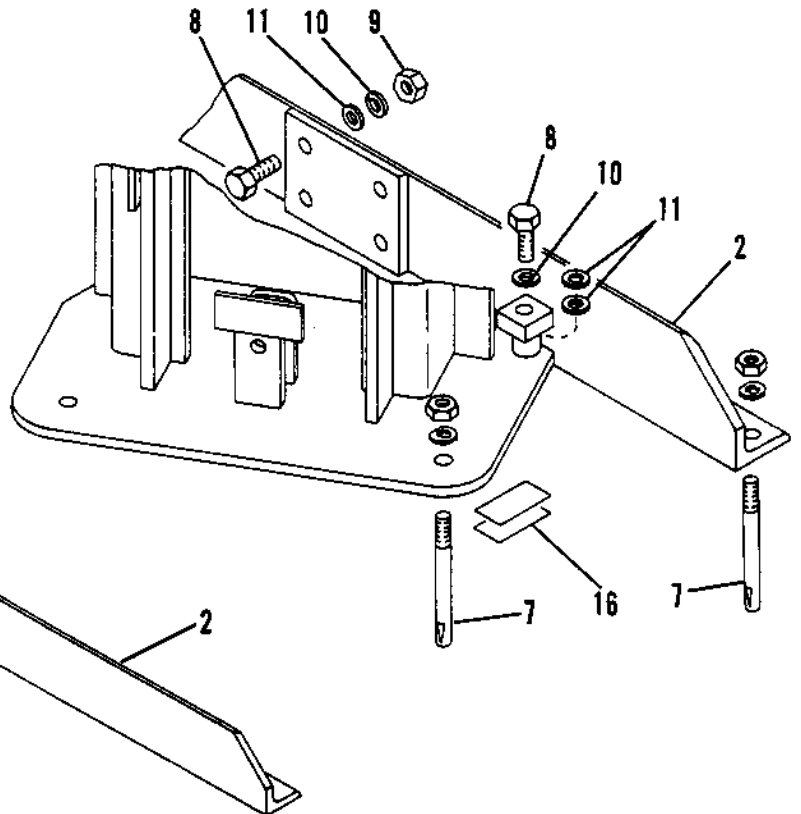
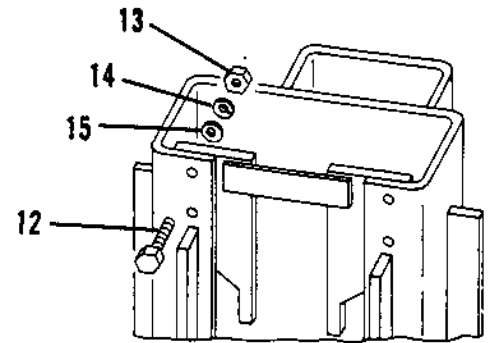
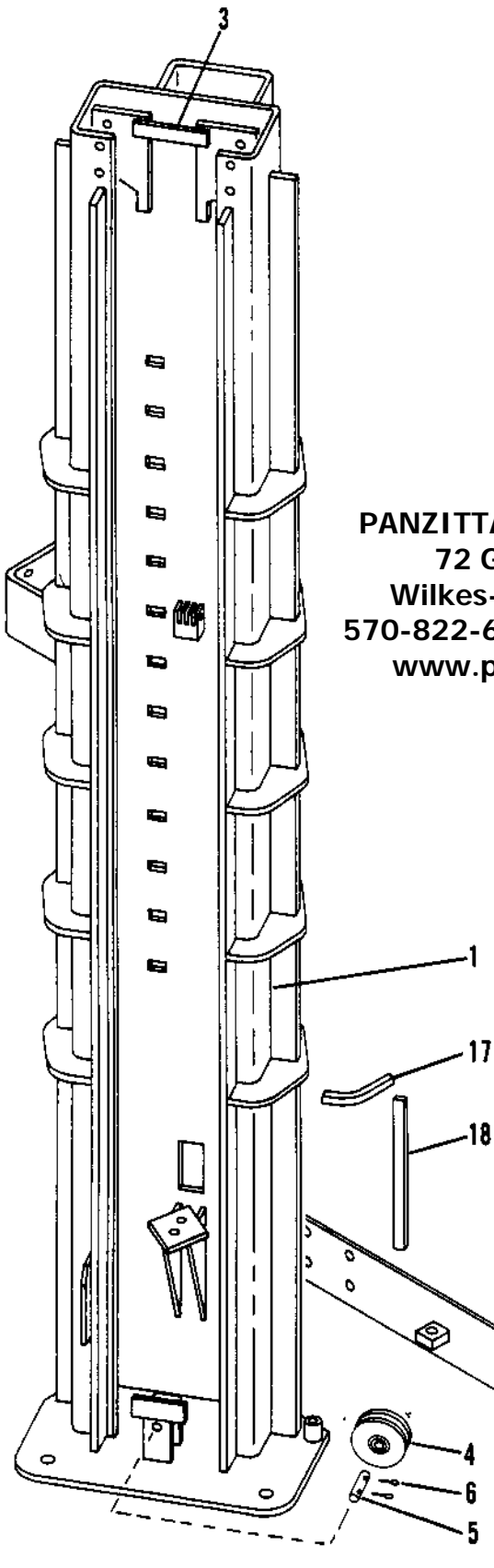
**LIFT CAPACITY 9,000 LBS.  
2,250 LBS. PER SWING ARM**

CFF-90.max

When ordering replacement parts, always mention lift model number and serial number.

Item No.	No. Req.	Part No.	Description
1	1	R18230-62	Column Weldment (Drive)
2	1	R18230-03	Base Angle (Drive)
3	1	R18230-64	Tie Bar
4	1	R18230-65	Cable Sheave
5	1	R18230-184	Pin
6	2	R18230-122	Cotter Pin
7	6	R18230-170	Anchor Bolt
8	6	R18230-152	1/2-13 x 1-3/4" Bolt
9	4	R18230-153	1/2-13 Hex Nut
10	6	R18230-155	1/2 Dia. Lock Washer
11	8	R18230-157	1/2 Dia. Flat Washer
12	4	R18230-160	5/8-11 x 1-3/4" Bolt
13	4	R18230-162	5/8-11 Hex Nut
14	4	R18230-164	5/8" Dia. Lock Washer
15	4	R18230-166	5/8" Dia. Flat Washer
16	2	R18230-08	Column Shim Pack
17	1	R18230-09	7" Bumper
18	1	R18230-92	12" Bumper

**PANZITTA SALES & SERVICE**  
 72 George Avenue  
 Wilkes-Barre, PA 18705  
 570-822-6720 800-822-6720  
 www.panzittasales.com



**COLUMN (DRIVE SIDE)**

CFF-90

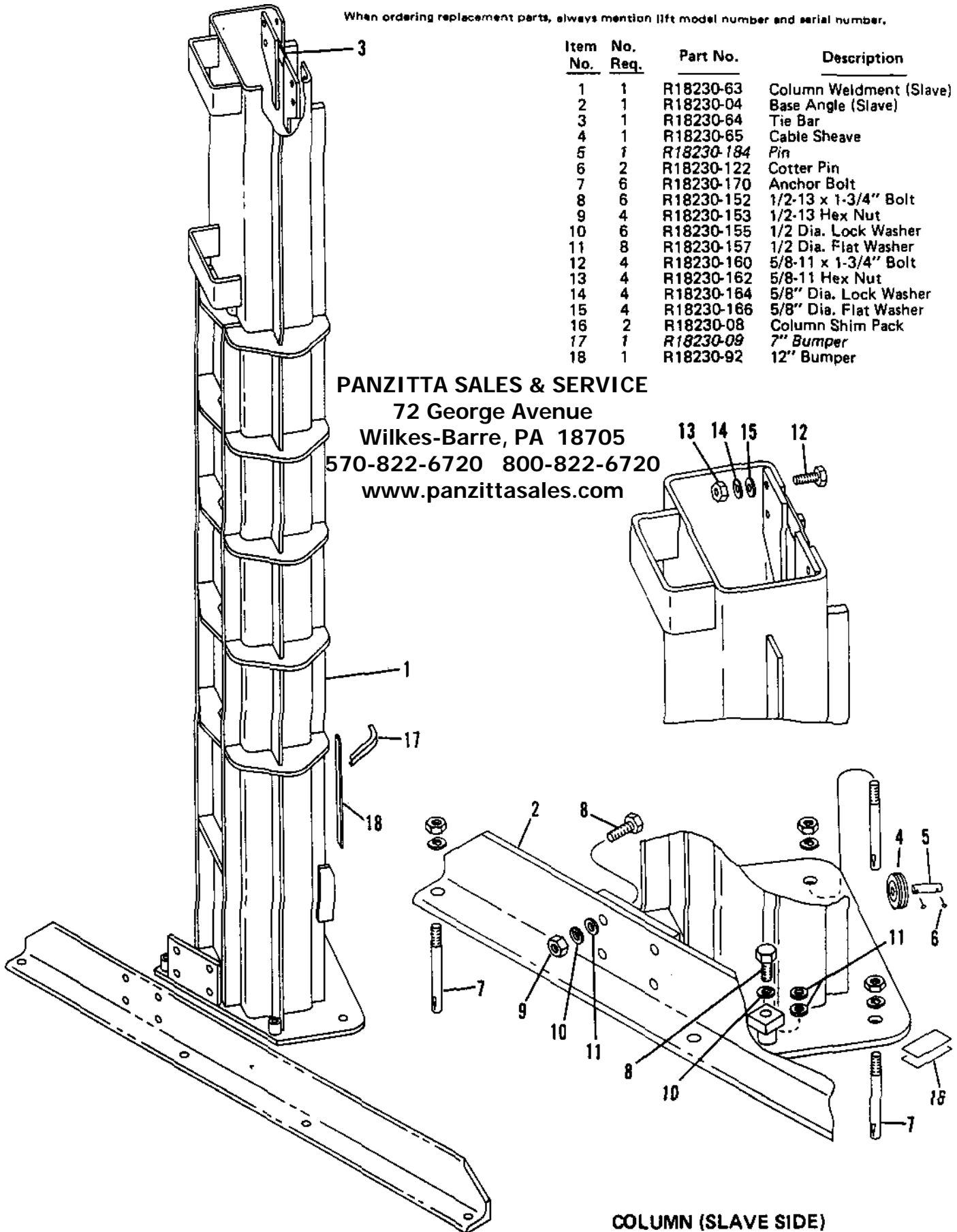
CFF-90.max

When ordering replacement parts, always mention lift model number and serial number.

Item No.	No. Req.	Part No.	Description
1	1	R18230-63	Column Weldment (Slave)
2	1	R18230-04	Base Angle (Slave)
3	1	R18230-64	Tie Bar
4	1	R18230-65	Cable Sheave
5	1	R18230-184	Pin
6	2	R18230-122	Cotter Pin
7	6	R18230-170	Anchor Bolt
8	6	R18230-152	1/2-13 x 1-3/4" Bolt
9	4	R18230-153	1/2-13 Hex Nut
10	6	R18230-155	1/2 Dia. Lock Washer
11	8	R18230-157	1/2 Dia. Flat Washer
12	4	R18230-160	5/8-11 x 1-3/4" Bolt
13	4	R18230-162	5/8-11 Hex Nut
14	4	R18230-164	5/8" Dia. Lock Washer
15	4	R18230-166	5/8" Dia. Flat Washer
16	2	R18230-08	Column Shim Pack
17	1	R18230-09	7" Bumper
18	1	R18230-92	12" Bumper

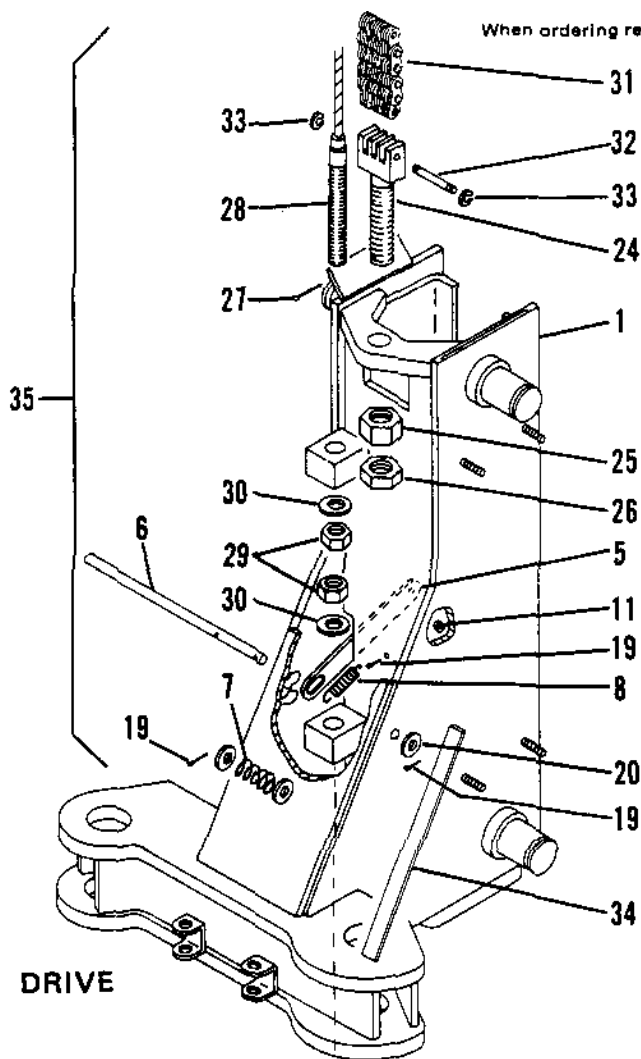
**PANZITTA SALES & SERVICE**

72 George Avenue  
 Wilkes-Barre, PA 18705  
 570-822-6720 800-822-6720  
 www.panzittasales.com



**COLUMN (SLAVE SIDE)**

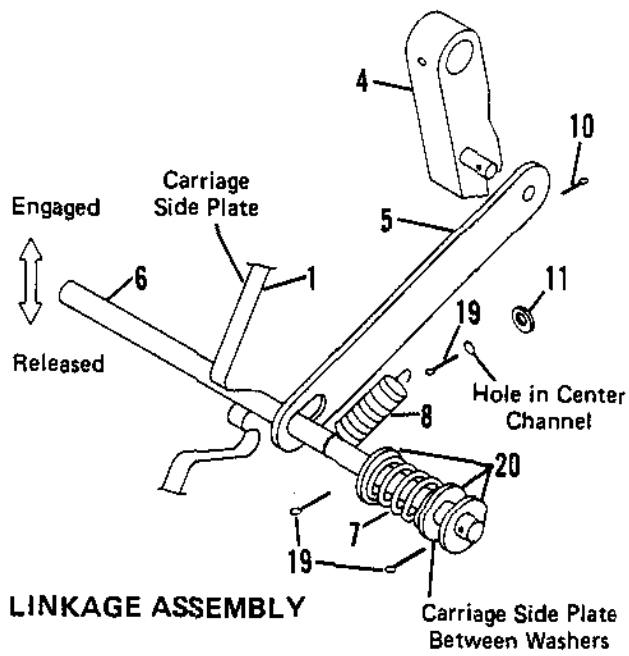
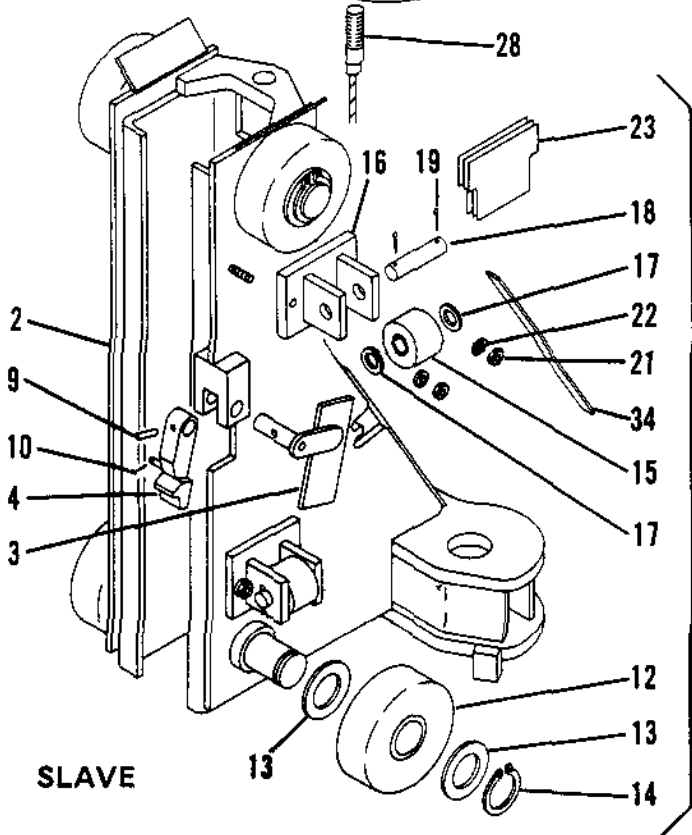
When ordering replacement parts, always mention lift model number and serial number.



Item No.	No. Req.	Part No.	Description
1	1	R18230-252	Carriage Weldment (Drive)
2	1	R18230-253	Carriage Weldment (Slave)
3	1	R18230-13	Counterweight
4	1	R18230-70	Safety Dog
5	1	R18230-15	Link
6	1	R18230-16	Lever
7	1	R18230-17	Compression Spring
8	1	R18230-18	Extension Spring
9	1	R18230-127	Roll Pin 3/16" Dia. x 1
10	1	R18230-120	Cotter Pin 1/16" Dia. x 1/2
11	1	R18230-131	No. 6 SAE Flat Washer
12	4	R18230-19	Roller (Main)
13	8	R18230-20	Thrust Washer (Large)
14	4	R18230-21	Retaining Ring
15	4	R18230-22	Roller (Side)
16	4	R18230-23	Bracket
17	8	R18230-24	Thrust Washer (Small)
18	4	R18230-25	Pin (Side Roller)
19	11	R18230-122	Cotter Pin 1/8" Dia. x 1
20	3	R18230-148	3/8" Dia. Flat Washer
21	8	R18230-146	3/8-16 Hex Nut
22	8	R18230-147	3/8" Dia. Lock Washer
23	2	R18230-26	Shim Pack (Carriage)
24	1	R18230-72	Chain Retainer
25	1	R18230-175	7/8-9 Hex Nut
26	1	R18230-176	7/8-9 Hex Jam Nut
27	1	R18230-121	Cotter Pin 1/8" Dia. x 1-1/4
28	1	R18230-73	Wire Rope
29	2	R18230-168	3/4-10 Nylon Insert Nut
30	2	R18230-169	3/4" Dia. SAE Flat Washer
31	1	R18230-74	Leaf Chain
32	2	R18230-75	Chain Pin
33	4	R18230-31	Retaining Ring
34	1	R18230-32	Rubber Bumper
35	1	R18230-254	Drive Carriage Complete - Includes Items 1, 3 thru 23 and 34
36	1	R18230-255	Slave Carriage Complete - Includes Items 2 thru 23 and 34

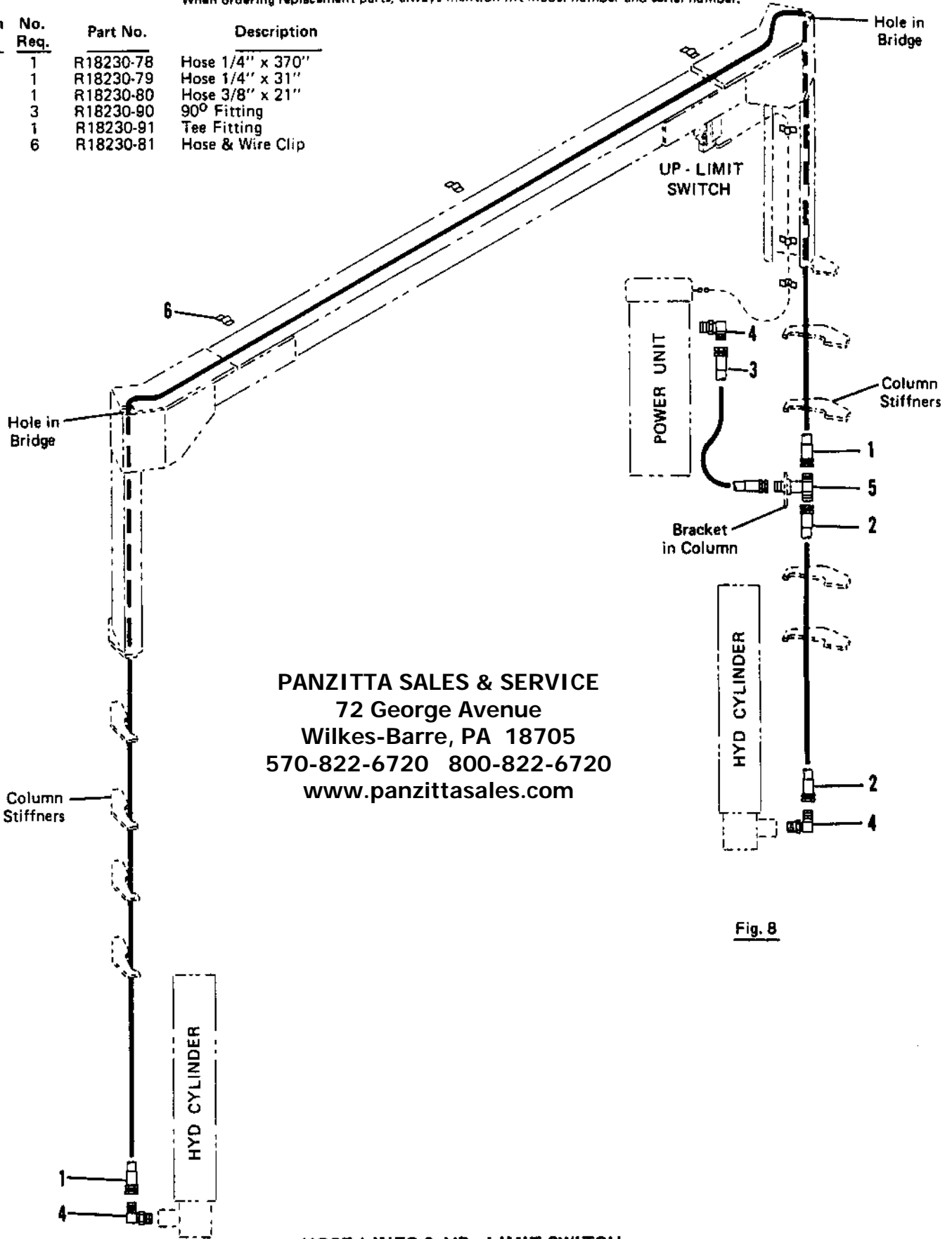
**NOTE!**

Items No. 3 thru No. 34 are the quantity required per carriage, for entire lift, double quantities.



When ordering replacement parts, always mention lift model number and serial number.

Item No.	No. Req.	Part No.	Description
1	1	R18230-78	Hose 1/4" x 370"
2	1	R18230-79	Hose 1/4" x 31"
3	1	R18230-80	Hose 3/8" x 21"
4	3	R18230-90	90° Fitting
5	1	R18230-91	Tee Fitting
6	6	R18230-81	Hose & Wire Clip



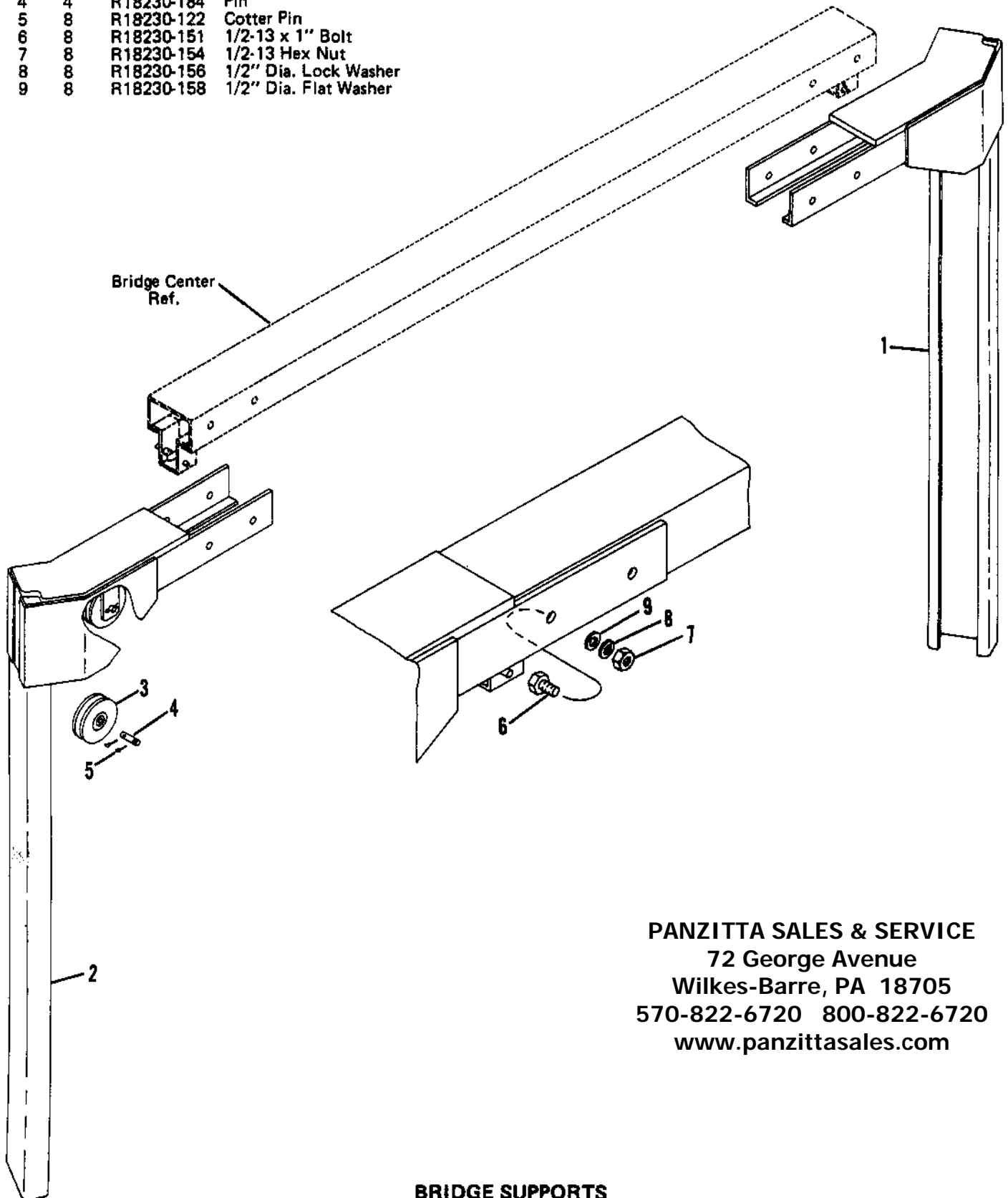
**PANZITTA SALES & SERVICE**  
 72 George Avenue  
 Wilkes-Barre, PA 18705  
 570-822-6720 800-822-6720  
 www.panzittasales.com

**Fig. 8**

**HOSE LINES & UP - LIMIT SWITCH**

When ordering replacement parts, always mention lift model number and serial number.

Item No.	No. Req.	Part No.	Description
1	1	R18230-82	Bridge Support (Drive)
2	1	R18230-83	Bridge Support (Slave)
3	4	R18230-65	Cable Sheave
4	4	R18230-184	Pin
5	8	R18230-122	Cotter Pin
6	8	R18230-151	1/2-13 x 1" Bolt
7	8	R18230-154	1/2-13 Hex Nut
8	8	R18230-156	1/2" Dia. Lock Washer
9	8	R18230-158	1/2" Dia. Flat Washer



**PANZITTA SALES & SERVICE**  
 72 George Avenue  
 Wilkes-Barre, PA 18705  
 570-822-6720 800-822-6720  
[www.panzittasales.com](http://www.panzittasales.com)

**BRIDGE SUPPORTS**

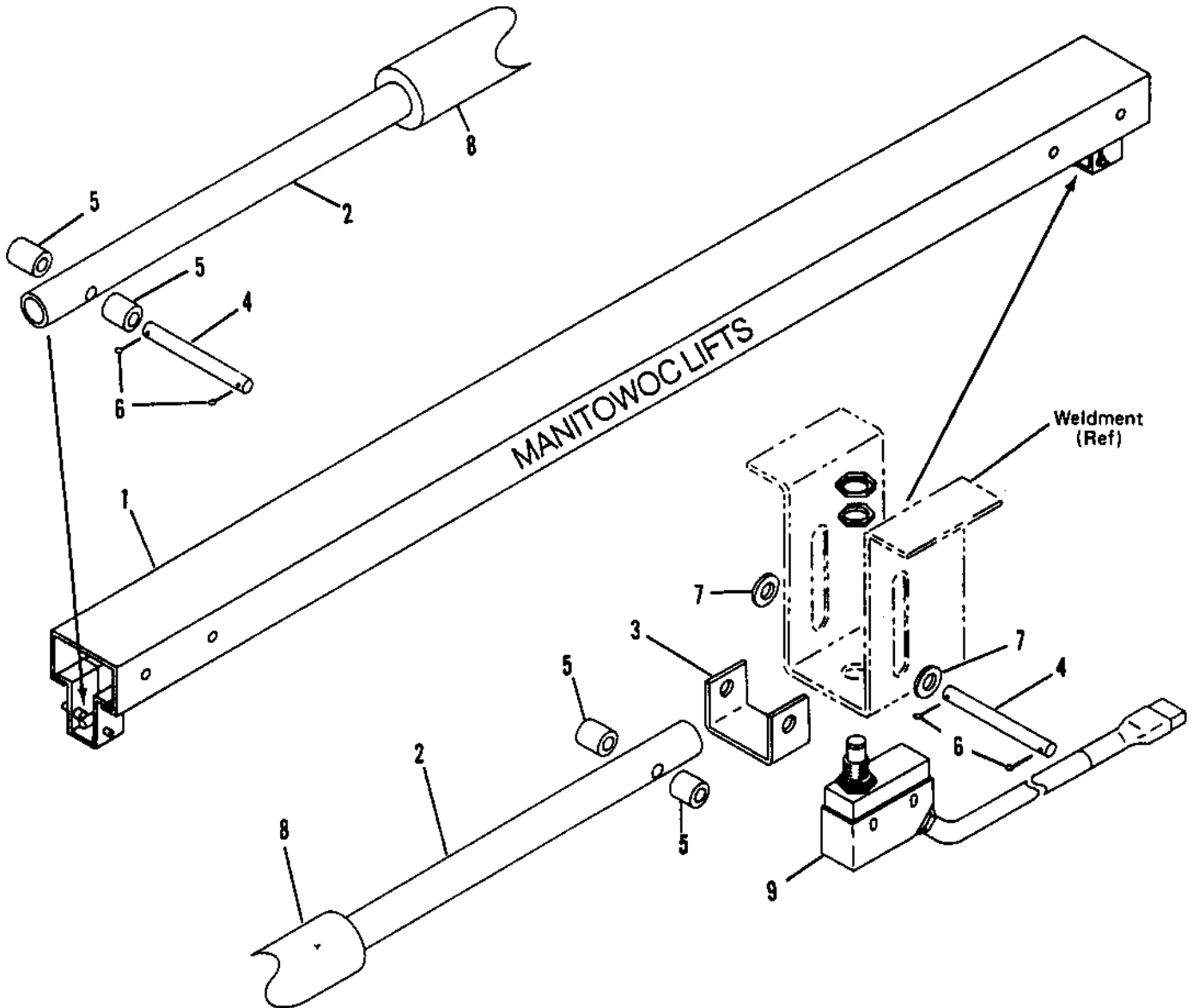
CFF-90

CFF-90.max

When ordering replacement parts, always mention lift model number and serial number.

**PANZITTA SALES & SERVICE**  
 72 George Avenue  
 Wilkes-Barre, PA 18705  
 570-822-6720 800-822-6720  
 www.panzittasales.com

Item No.	No. Req.	Part No.	Description
1	1	R18230-35	Center Bridge
2	1	R18230-36	Tube (Up-Limit)
3	1	R18230-37	Actuator
4	2	R18230-38	Pin
5	4	R18230-39	Spacer
6	4	R18230-120	Cotter Pin 1/16 Dia. x 1/2
7	2	R18230-137	1/4" Dia. SAE Flat Washer
8	1	R18230-41	Cushion
9	1	R18230-42	Switch



**BRIDGE CENTER**

CFF-90

CFF-90.max

When ordering replacement parts, always mention lift model number and serial number.

**NOTE:**

Items 1, 2, 3, & 4 do not include lift pad and roll pin.

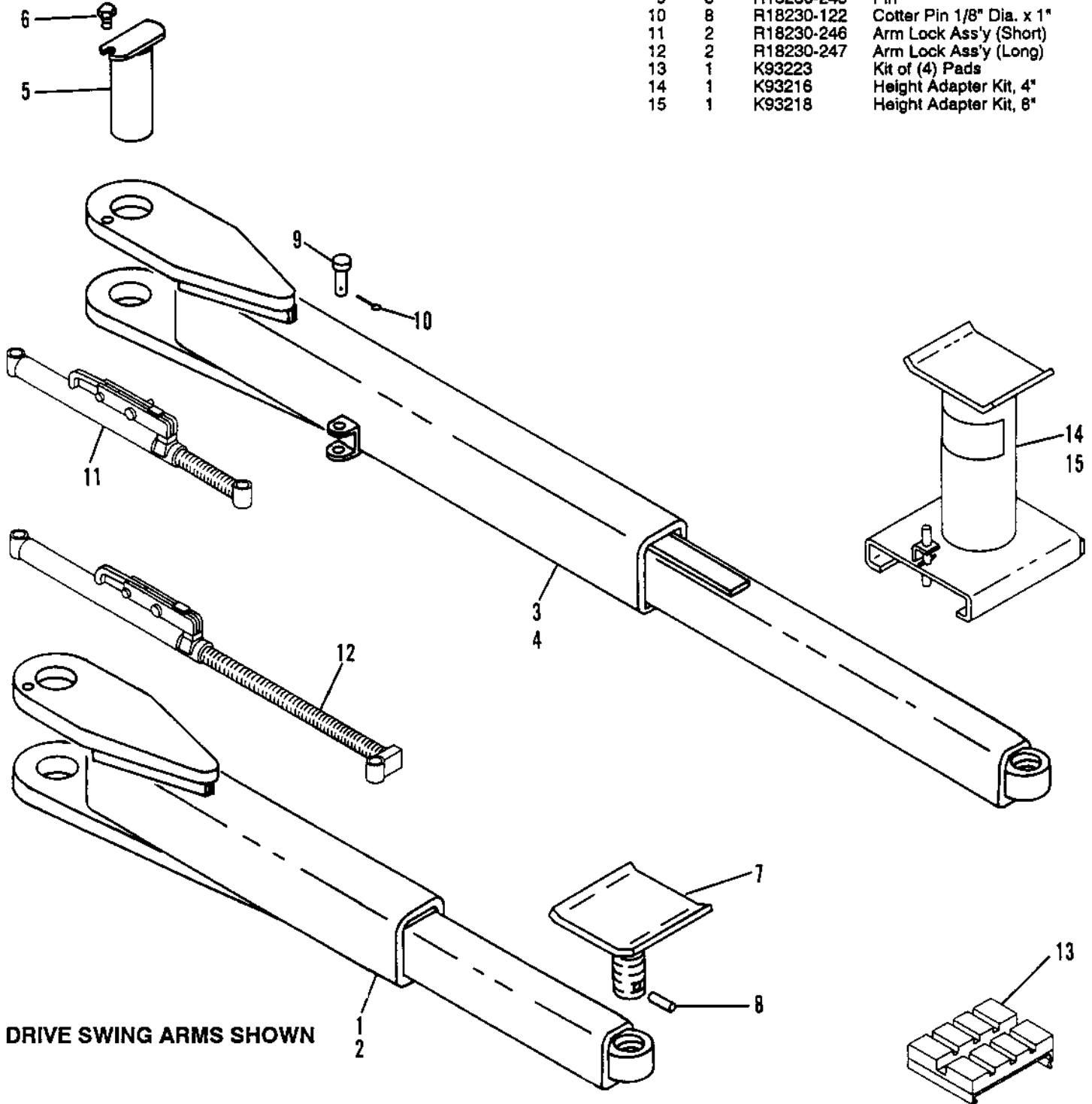
**NOTE:**

Arm locks must be installed in position shown

**NOTE:**

Items 13, 14, and 15 are optional 4-piece kits.

Item No.	No. Req.	Part No.	Description
1	1	R18230-256	Drive Arm (Short)
2	1	R18230-257	Slave Arm (Short)
3	1	R18230-258	Drive Arm (Long)
4	1	R18230-259	Slave Arm (Long)
5	4	R18230-86	Arm Pin
6	4	R18230-136	1/4-20 X 5/8 Tap Bolt
7	4	R18230-54	Lift Pad
8	4	R18230-125	Roll Pin 1/8 Dia. x 1-3/8
9	8	R18230-245	Pin
10	8	R18230-122	Cotter Pin 1/8" Dia. x 1"
11	2	R18230-246	Arm Lock Ass'y (Short)
12	2	R18230-247	Arm Lock Ass'y (Long)
13	1	K93223	Kit of (4) Pads
14	1	K93216	Height Adapter Kit, 4"
15	1	K93218	Height Adapter Kit, 8"



DRIVE SWING ARMS SHOWN

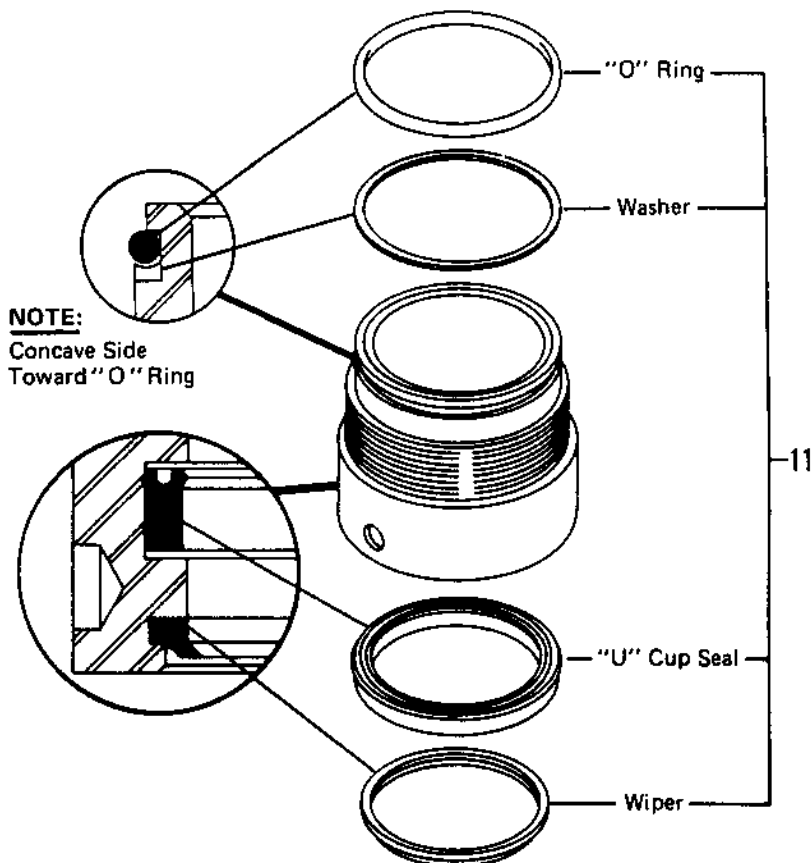
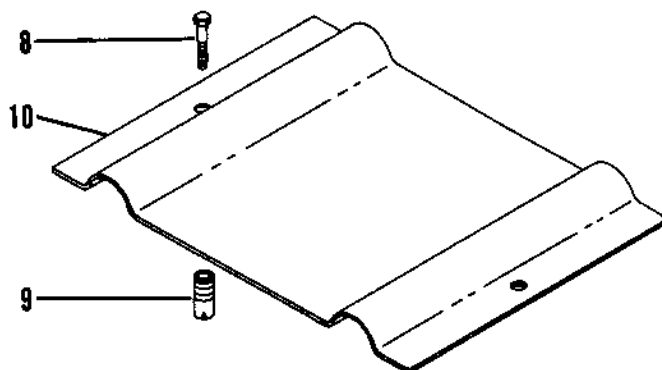
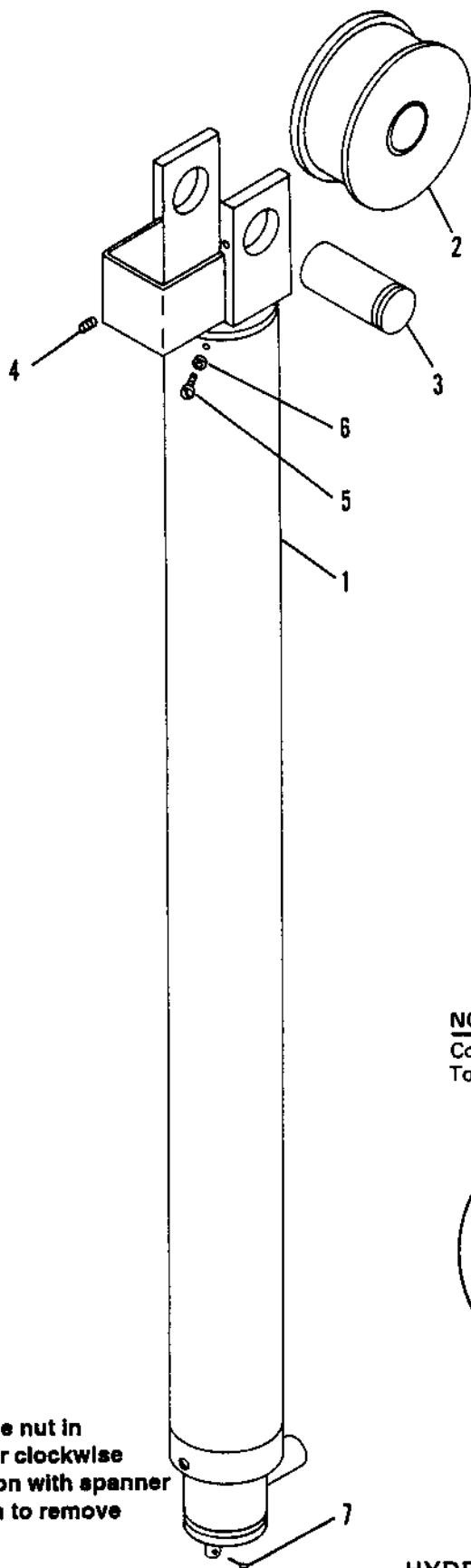
**SWING ARMS & ARM LOCKS**

When ordering replacement parts, always mention lift model number and serial number.

Item No.	No. Req.	Part No.	Description
1	2	R18230-87	Cylinder
2	1	R18230-88	Chain Sheave
3	1	R18230-89	Shaft
4	1	R18230-135	1/4-20 x 3/8 Loc. Set Screw
5	1	R18230-133	No. 10-32 x 5/16 Bleeder Screw
6	1	R18230-58	Bleeder Washer
7	1	R18230-122	Cotter Pin 1/8 Dia. x 1
8	2	K03782	Hex Hd. Bolt 5/16-18 x 1-3/4
9	2	K79695	Expansion Shield
10	1	T07915	Wheel Locator Plate
11	1	K34159	Seal Kit

**NOTE!**

Item No. 2 thru No. 7 are the quantity required per cylinder, for entire lift, double quantities.



**NOTE:**  
Concave Side  
Toward "O" Ring

**NOTE!**  
Remove nut in  
counter clockwise  
direction with spanner  
wrench to remove  
seal.

**NOTE!** Seal Kit does not include nut

**HYDRAULIC CYLINDER**

When ordering replacement parts, always mention lift model number and serial number.

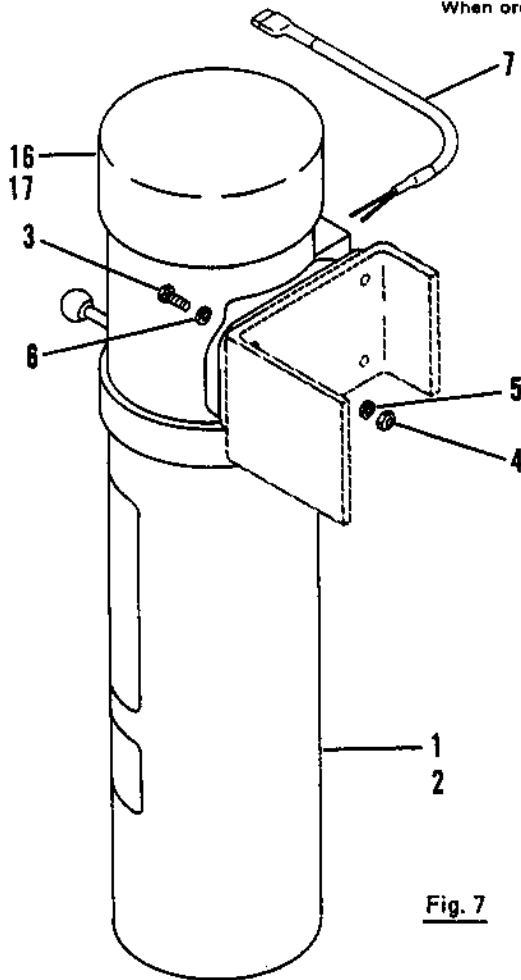
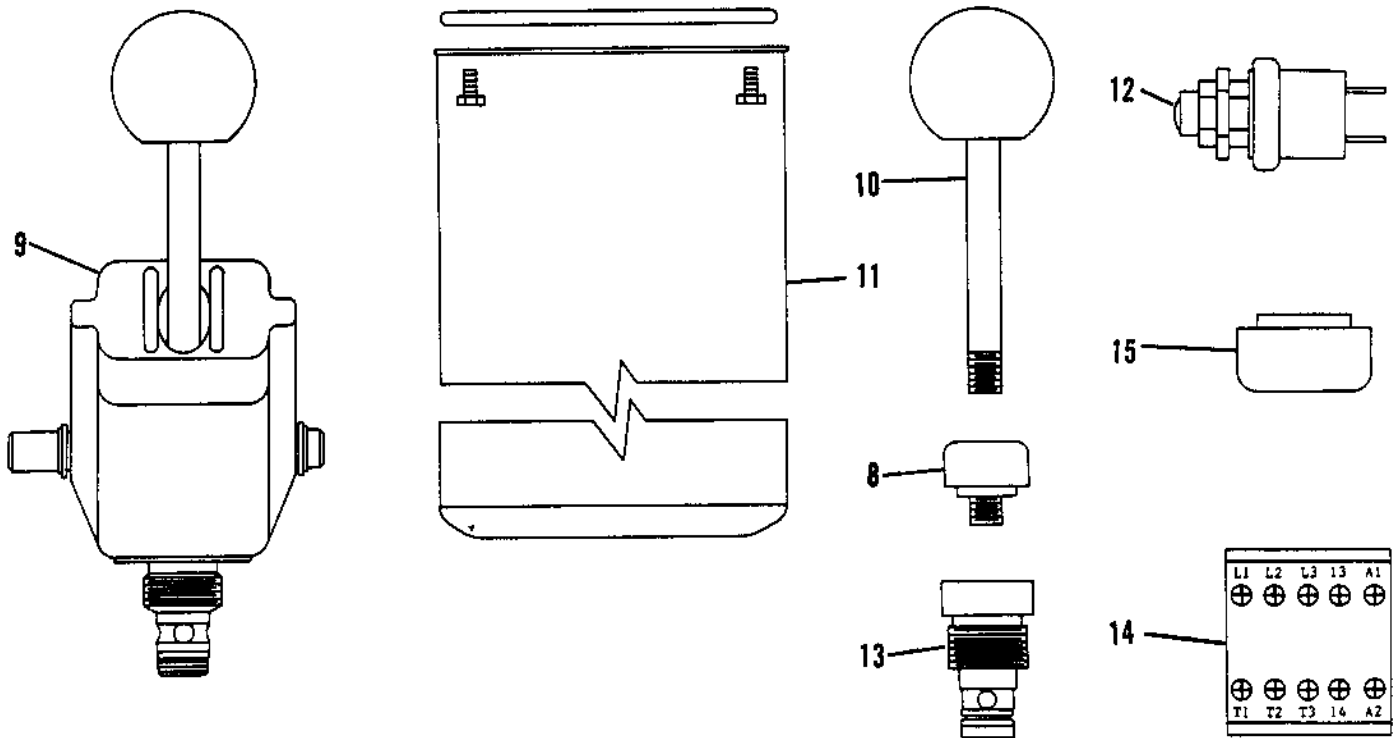


Fig. 7

Item No.	No. Req.	Part No.	Description
1	1	K93226	Power Unit (208/230V., 1 PH.)
2	1	K93227	Power Unit (200/230V., 3 PH.)
3	4	R18230-140	5/16-18 x 1" Bolt
4	4	R18230-141	5/16-18 Hex Nut
5	4	R18230-142	5/16 Dia. Lock Washer
6	4	R18230-143	5/16 Dia. Flat Washer
7	1	R18230-102	Switch Pigtail
8	1	R18230-103	Breather
9	1	R18230-104	Release Valve Kit (Valve, Linkage, Handle)
10	1	R18230-105	Stud & Ball
11	1	R18230-106	Reservoir Kit (Tank, O Ring, Fasteners)
12	1	R18230-107	3 PH. Switch
12	1	R18230-110	1 PH. Switch
13	1	R18230-108	Check Valve (Valve, Seals)
14	1	R18230-111	3 PH. Contactor
15	1	R18230-112	Filter
16	1	R18230-193	Motor Assem. 1 PH.
17	1	R18230-194	Motor Assem. 3 PH.

**BARNES ORIGINAL DESIGN POWER UNIT  
(WITH FAN COOLED MOTOR AND CAM  
ACTIVATED RELEASE VALVE)**

**POWER UNIT**



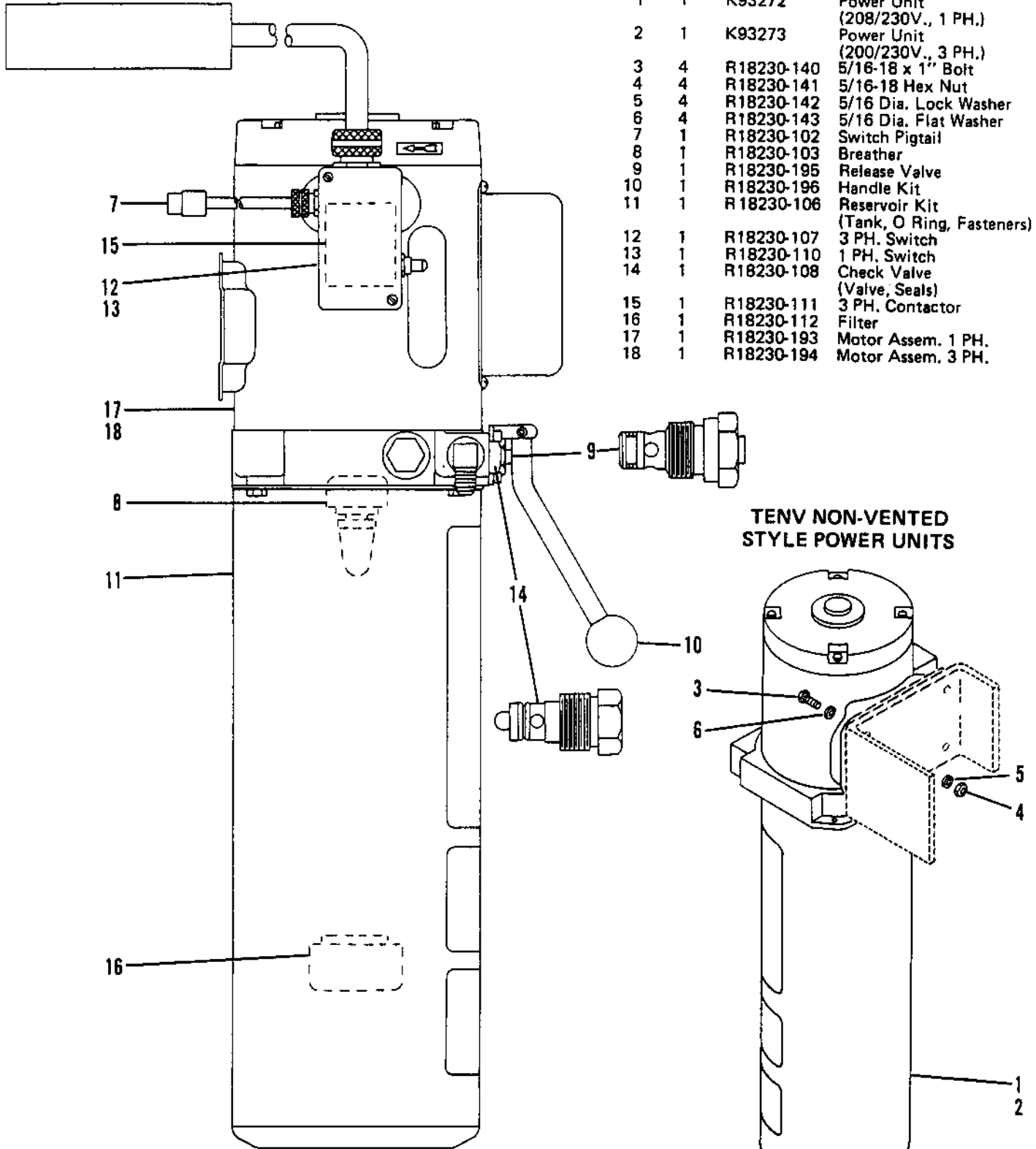
**REPLACEMENT PARTS**

CFF-90

CFF-90.max

When ordering replacement parts, always mention lift model number and serial number.

Item No.	No. Req.	Part No	Description
1	1	K93272	Power Unit (208/230V., 1 PH.)
2	1	K93273	Power Unit (200/230V., 3 PH.)
3	4	R18230-140	5/16-18 x 1" Bolt
4	4	R18230-141	5/16-18 Hex Nut
5	4	R18230-142	5/16 Dia. Lock Washer
6	4	R18230-143	5/16 Dia. Flat Washer
7	1	R18230-102	Switch Pigtail
8	1	R18230-103	Breather
9	1	R18230-195	Release Valve
10	1	R18230-196	Handle Kit
11	1	R18230-106	Reservoir Kit (Tank, O Ring, Fasteners)
12	1	R18230-107	3 PH. Switch
13	1	R18230-110	1 PH. Switch
14	1	R18230-108	Check Valve (Valve, Seals)
15	1	R18230-111	3 PH. Contactor
16	1	R18230-112	Filter
17	1	R18230-193	Motor Assem. 1 PH.
18	1	R18230-194	Motor Assem. 3 PH.



**BARNES POWER UNIT WITH PIGTAIL CONNECTOR**

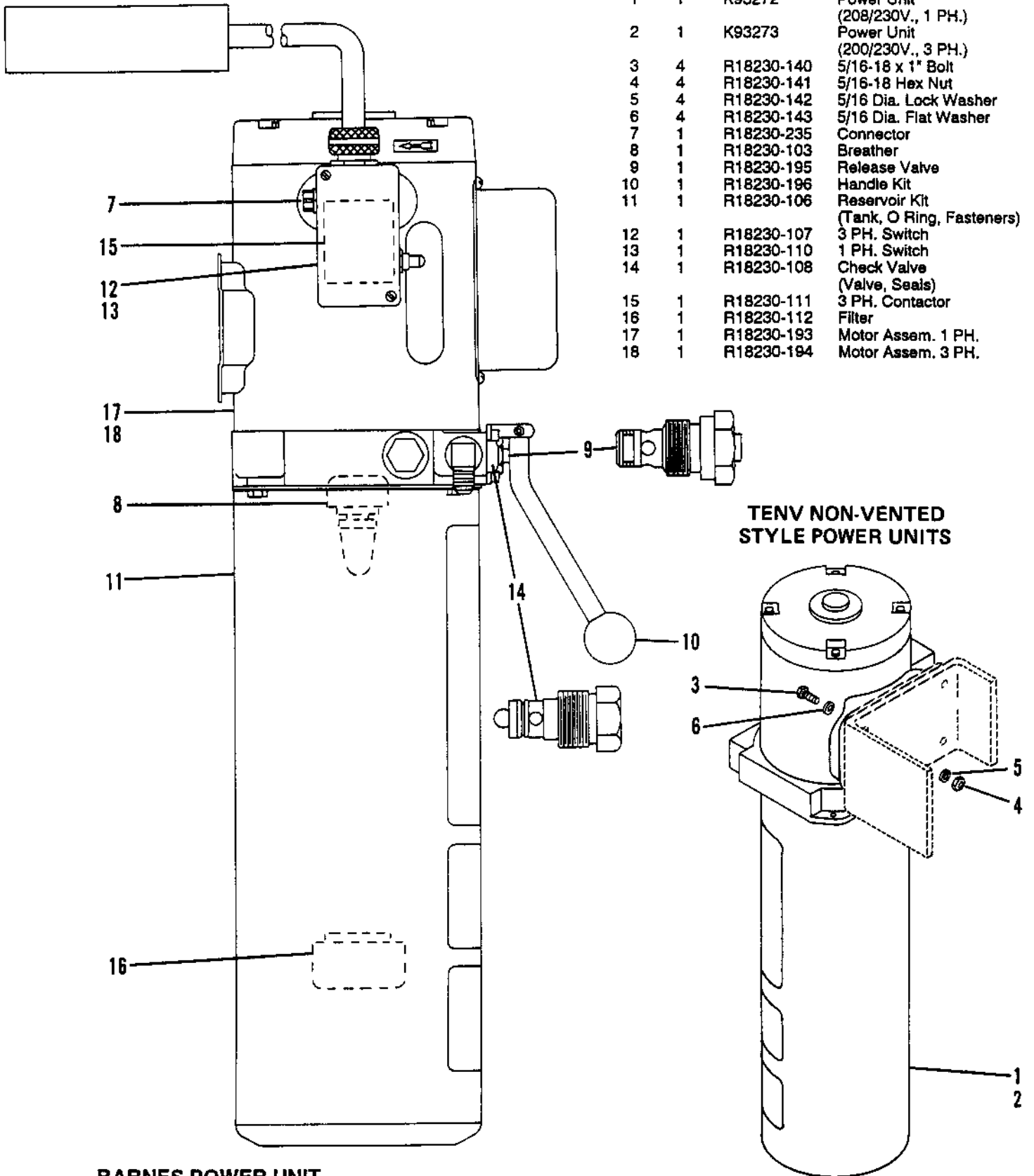
**POWER UNIT**

**TENV NON-VENTED STYLE POWER UNITS**

**Fig. 7**

When ordering replacement parts, always mention lift model number and serial number.

Item No.	No. Req.	Part No	Description
1	1	K93272	Power Unit (208/230V., 1 PH.)
2	1	K93273	Power Unit (200/230V., 3 PH.)
3	4	R18230-140	5/16-18 x 1" Bolt
4	4	R18230-141	5/16-18 Hex Nut
5	4	R18230-142	5/16 Dia. Lock Washer
6	4	R18230-143	5/16 Dia. Flat Washer
7	1	R18230-235	Connector
8	1	R18230-103	Breather
9	1	R18230-195	Release Valve
10	1	R18230-196	Handle Kit
11	1	R18230-106	Reservoir Kit (Tank, O Ring, Fasteners)
12	1	R18230-107	3 PH. Switch
13	1	R18230-110	1 PH. Switch
14	1	R18230-108	Check Valve (Valve, Seals)
15	1	R18230-111	3 PH. Contactor
16	1	R18230-112	Filter
17	1	R18230-193	Motor Assem. 1 PH.
18	1	R18230-194	Motor Assem. 3 PH.



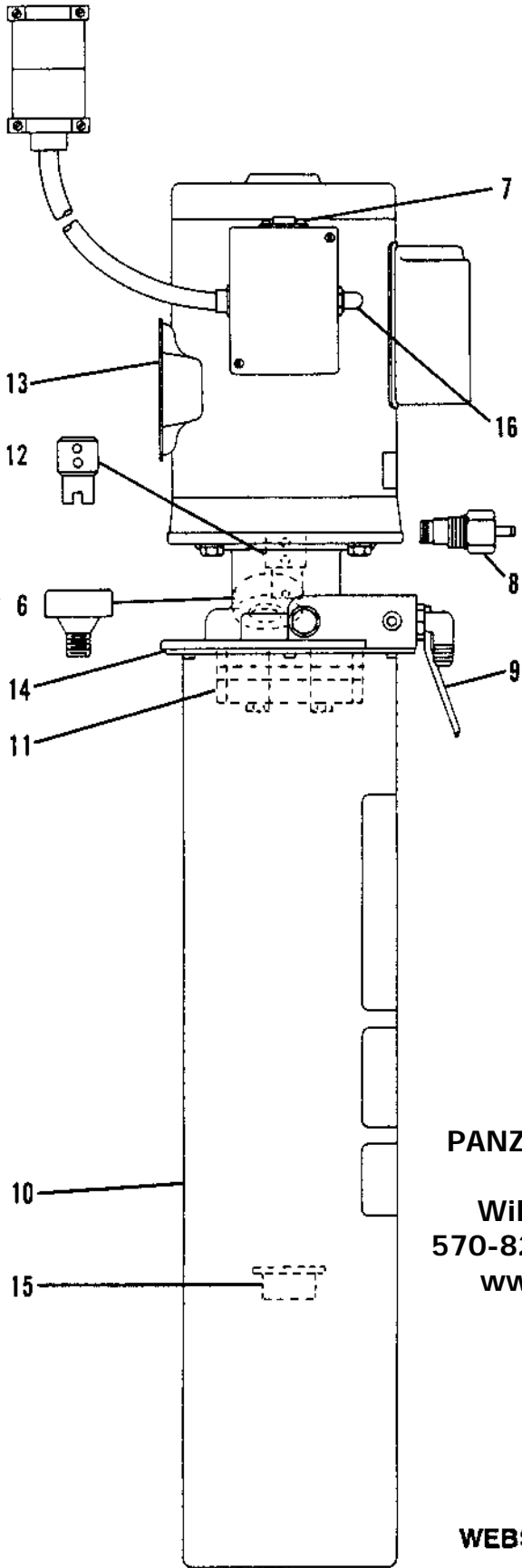
**BARNES POWER UNIT WITH FLUSH MOUNTED CONNECTOR**

**POWER UNIT**

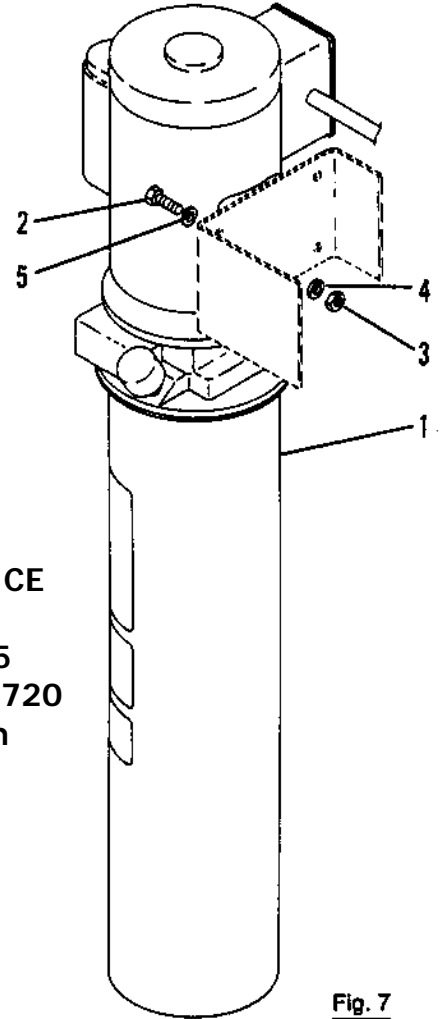
**TENV NON-VENTED STYLE POWER UNITS**

**Fig. 7**

When ordering replacement parts, always mention lift model number and serial number.



Item No.	No. Req.	Part No.	Description
1	1	K93272	Power Unit (208/230V., 1 PH.)
2	4	R18230-140	5/16-18 x 1" Bolt
3	4	R18230-141	5/16-18 Hex Nut
4	4	R18230-142	5/16 Dia. Lock Washer
5	4	R18230-143	5/16 Dia. Flat Washer
6	1	R18230-270	Breather
7	1	R18230-235	Connector
8	1	R18230-271	Manual Valve Assm.
9	1	R18230-272	Handle Kit
10	1	R18230-273	Tank Kit
11	1	R18230-274	Pump Assm.
12	1	R18230-275	Motor Hdw. Kit
13	1	R18230-269	Motor Assm. 1 PH.
14	1	R18230-276	Tank Gasket
15	1	R18230-277	Inlet Strainer
16	1	R18230-278	Motor Switch Kit



**PANZITTA SALES & SERVICE**  
 72 George Avenue  
 Wilkes-Barre, PA 18705  
 570-822-6720 800-822-6720  
 www.panzittasales.com

**WEBSTER POWER UNIT**

**Fig. 7**