

PANZITTA SALES & SERVICE
72 George Avenue
Wilkes-Barre, PA 18705
570-822-6720 800-822-6720
www.panzittasales.com

MANITOWOC LIFTS

INSTALLATION INSTRUCTIONS AND PARTS LIST

CBT-90

BASE TYPE LIFT

F-52C40D0500 (208/230V., 1PH.)

F-52C50D0500 (200/230V., 3PH.)

**LIFT CAPACITY 9,000 LBS.
2,250 LBS. PER SWING ARM**

CBT-90.max

When ordering replacement parts, always mention lift model number and serial number.

Item No.	No. Req.	Part No.	Description
1	1	R18230-218	Column Weldment (Drive)
2	1	R18230-115	Base Angle
3	2	R18230-124	Cotter Pin
4	1	R18230-220	Cable Sheave
5	1	R18230-229	Pin
6	2	R18230-121	Cotter Pin
7	4	R18230-170	Anchor Bolt
8	2	R18230-173	3/4"-10 x 2" Bolt
9	1	R18230-222	Column Sheave Bkt.
10	2	R18230-171	3/4" Dia. Lock Washer
11	6	R18230-172	3/4" Dia. Flat Washer
12	4	R18230-160	5/8-11 x 1-3/4" Bolt
13	4	R18230-162	5/8-11 Hex Nut
14	4	R18230-164	5/8" Dia. Lock Washer
15	4	R18230-166	5/8" Dia. Flat Washer
16	2	R18230-09	7" Bumper
17	2	R18230-92	12" Bumper
18	1	R18230-221	Pin
19	2	R18230-224	Cable Sheave Washer
20	2	R18230-230	Washer

PANZITTA SALES & SERVICE
 72 George Avenue
 Wilkes-Barre, PA 18705
 570-822-6720 800-822-6720
 www.panzittasales.com

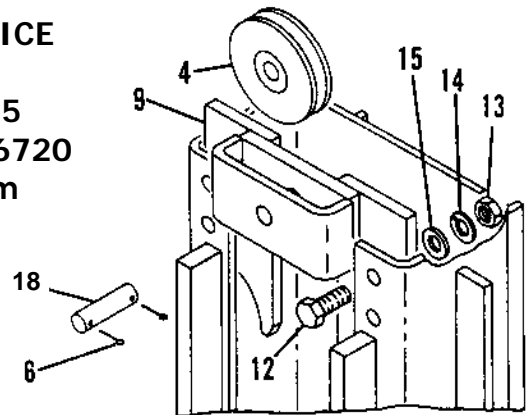
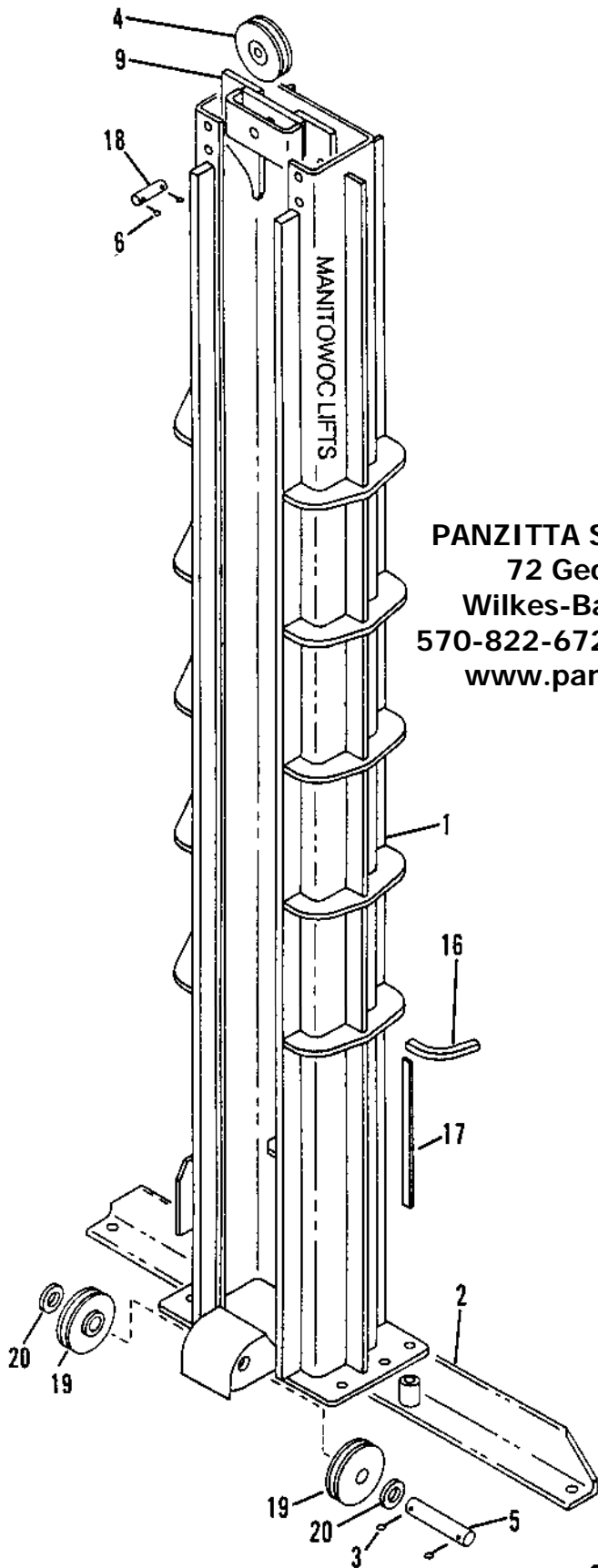
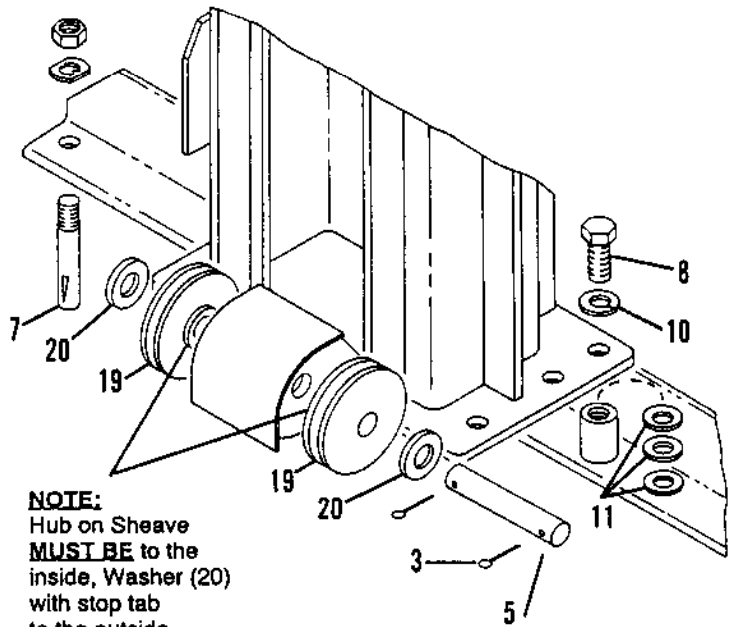


Fig. 13

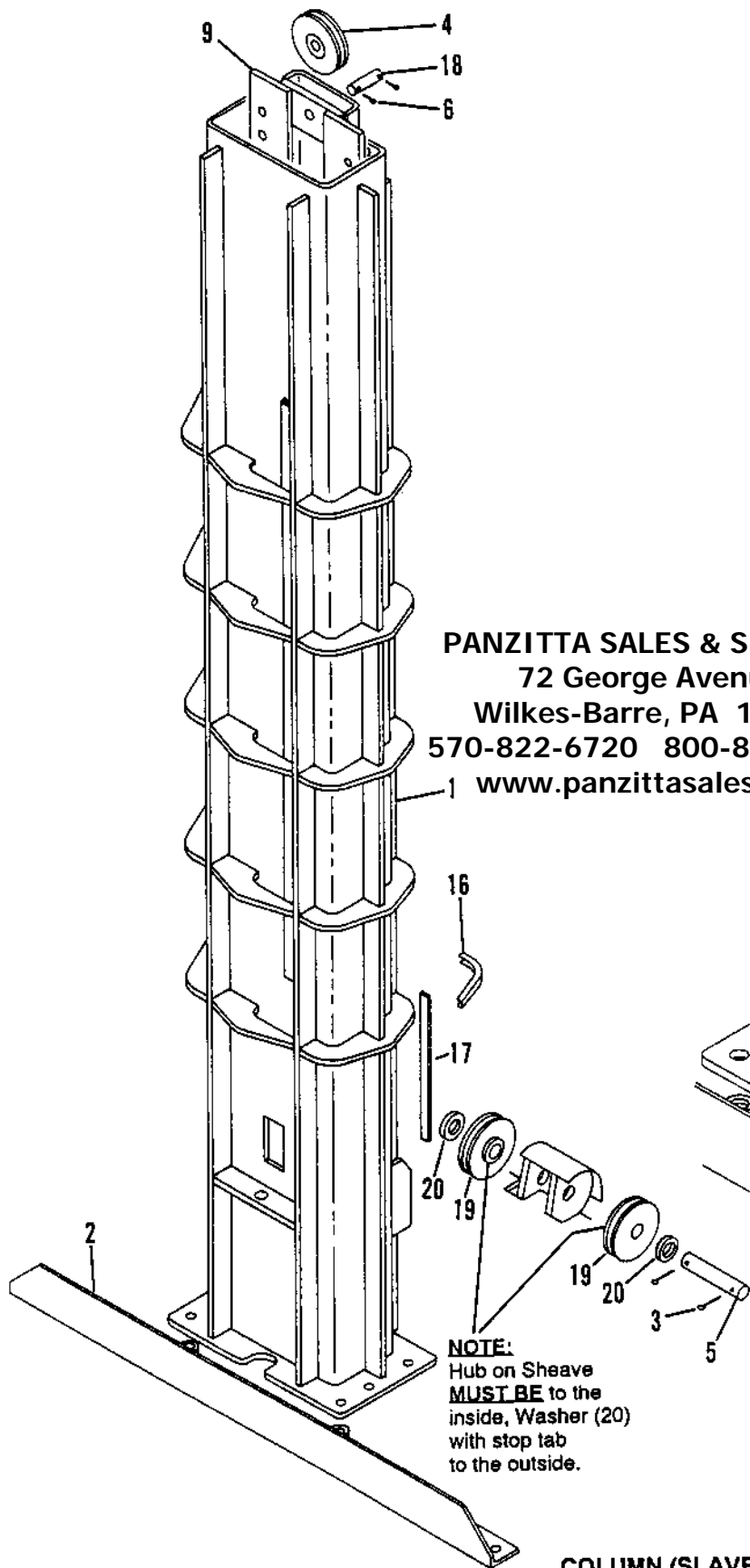


COLUMN (DRIVE SIDE)

When ordering replacement parts, always mention lift model number and serial number.

Item No.	No. Req.	Part No.	Description
1	1	R18230-219	Column Weldment (Slave)
2	1	R18230-115	Base Angle
3	2	R18230-124	Cotter Pin
4	1	R18230-220	Cable Sheave
5	1	R18230-229	Pin
6	2	R18230-121	Cotter Pin
7	4	R18230-170	Anchor Bolt
8	2	R18230-173	3/4"-10 x 2" Bolt
9	1	R18230-222	Column Sheave Bkt.
10	2	R18230-171	3/4" Dia. Lock Washer
11	6	R18230-172	3/4" Dia. Flat Washer
12	4	R18230-160	5/8-11 x 1-3/4" Bolt
13	4	R18230-162	5/8-11 Hex Nut
14	4	R18230-164	5/8" Dia. Lock Washer
15	4	R18230-166	5/8" Dia. Flat Washer
16	2	R18230-09	7" Bumper
17	2	R18230-82	12" Bumper
18	1	R18230-221	Pin
19	2	R18230-224	Cable Sheave Washer
20	2	R18230-230	Washer

PANZITTA SALES & SERVICE
 72 George Avenue
 Wilkes-Barre, PA 18705
 570-822-6720 800-822-6720
 www.panzittasales.com



COLUMN (SLAVE SIDE)

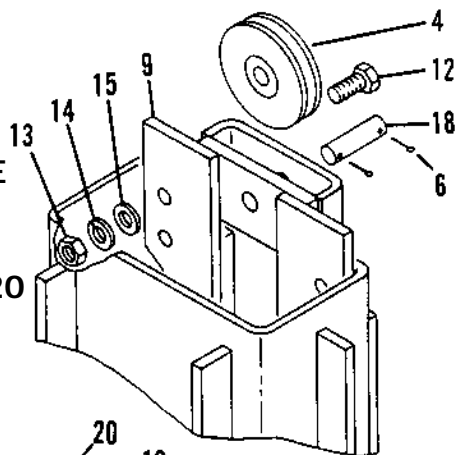
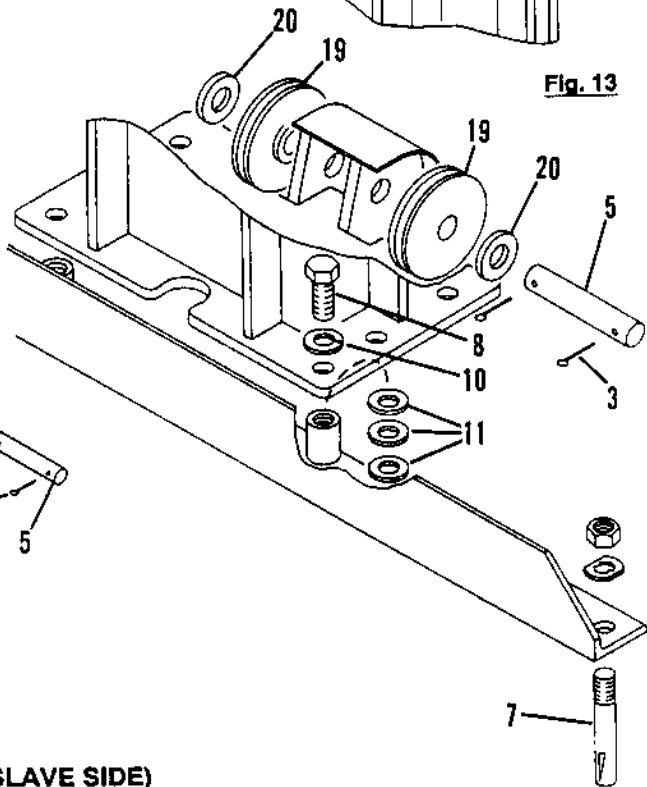
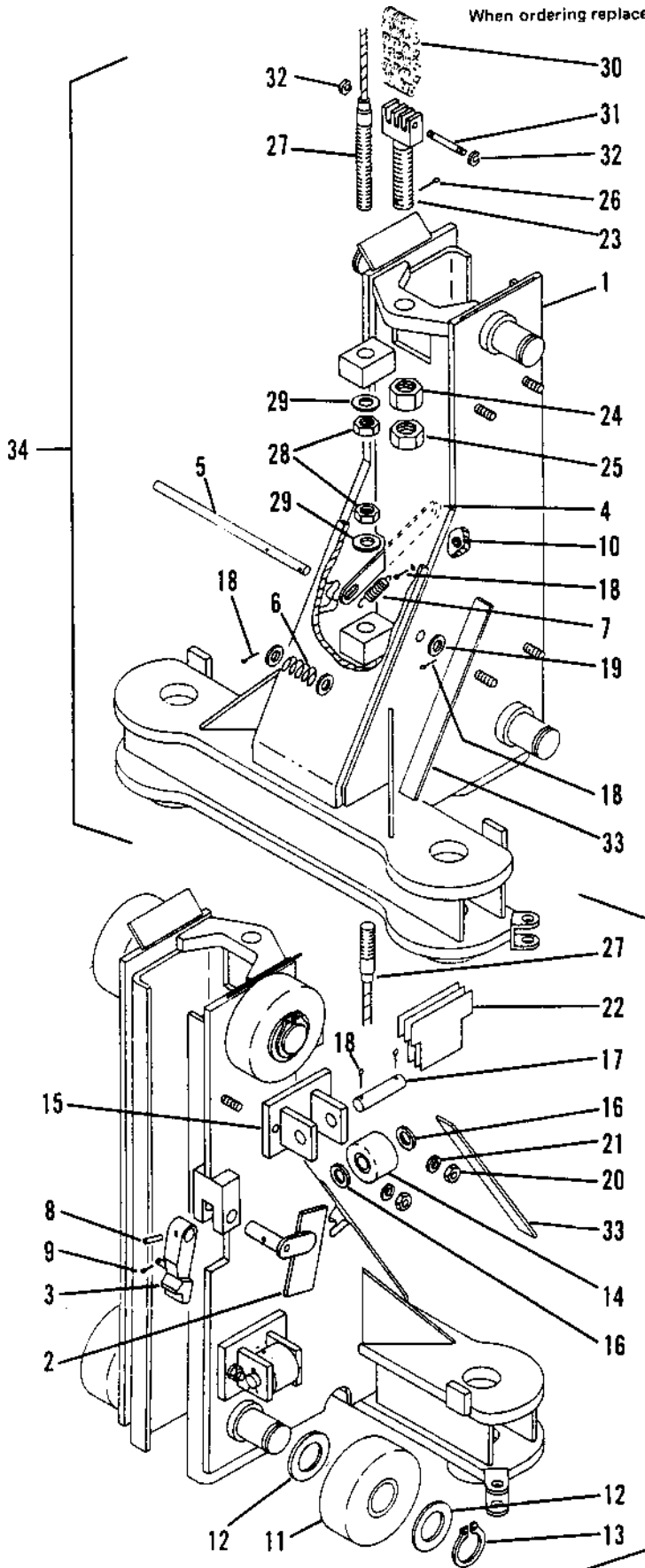


Fig. 13



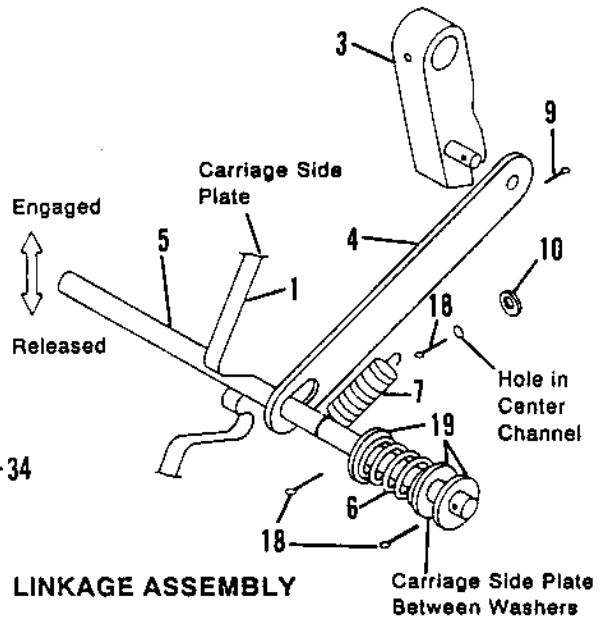
When ordering replacement parts, always mention lift model number and serial number.



Item No.	No. Req.	Part No.	Description
1	2	R18230-225	Carriage Weldment
2	1	R18230-13	Counterweight
3	1	R18230-70	Safety Dog
4	1	R18230-15	Link
5	1	R18230-16	Lever
6	1	R18230-17	Compression Spring
7	1	R18230-18	Extension Spring
8	1	R18230-127	Roll Pin 3/16" Dia. x 1
9	1	R18230-120	Cotter Pin 1/16" Dia. x 1/2
10	1	R18230-131	No. 6 SAE Flat Washer
11	4	R18230-19	Roller (Main)
12	8	R18230-20	Thrust Washer (Large)
13	4	R18230-21	Retaining Ring
14	4	R18230-22	Roller (Side)
15	4	R18230-23	Bracket
16	8	R18230-24	Thrust Washer (Small)
17	4	R18230-25	Pin (Side Roller)
18	11	R18230-122	Cotter Pin 1/8" Dia. x 1
19	3	R18230-148	3/8" Dia. Flat Washer
20	8	R18230-146	3/8-16 Hex Nut
21	8	R18230-147	3/8" Dia. Lock Washer
22	2	R18230-26	Shim Pack (Carriage)
23	1	R18230-72	Chain Retainer
24	1	R18230-175	7/8-9 Hex Nut
25	1	R18230-176	7/8-9 Hex Jam Nut
26	1	R18230-121	Cotter Pin 1/8" Dia. x 1-1/4
27	1	R18230-223	Wire Rope
28	2	R18230-168	3/4-10 Nylon Insert Nut
29	2	R18230-169	3/4" Dia. SAE Flat Washer
30	1	R18230-74	Leaf Chain
31	2	R18230-75	Chain Pin
32	4	R18230-31	Retaining Ring
33	2	R18230-32	Rubber Bumper
34	2	R18230-226	Carriage Complete

NOTE!

Items No. 2 thru No. 33 are quantity required per carriage, for entire lift, double quantities.



LINKAGE ASSEMBLY

CARRIAGE

When ordering replacement parts, always mention lift model number and serial number.

Item No.	No. Req.	Part No.	Description
1	1	R18230-233	Hose 3/8" x 52"
2	1	R18230-234	Hose 1/4" x 162"
3	1	R18230-90	90° Fitting
4	1	R18230-129	Tee Fitting
5	1	R18230-190	90° Fitting (Long)

PANZITTA SALES & SERVICE
 72 George Avenue
 Wilkes-Barre, PA 18705
 570-822-6720 800-822-6720
 www.panzittasales.com

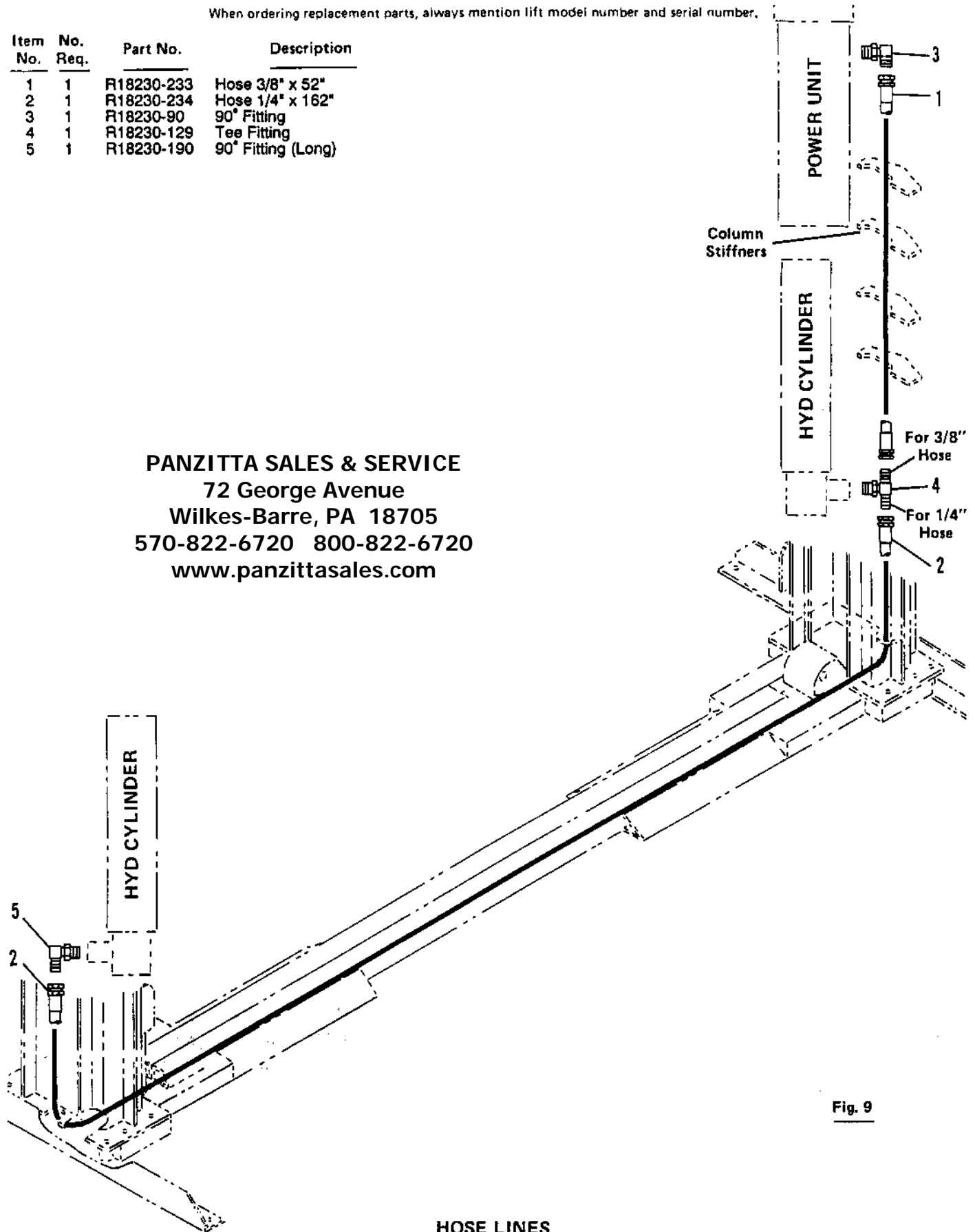


Fig. 9

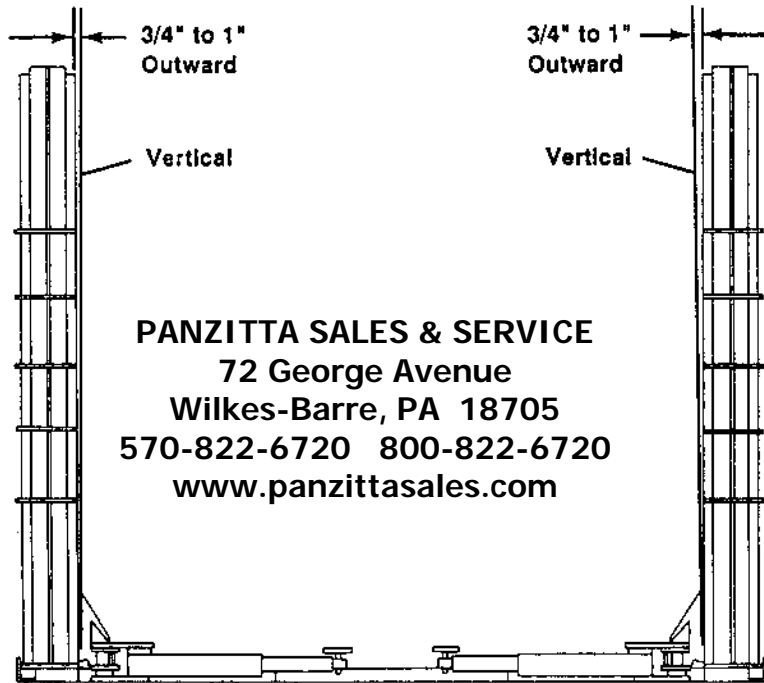
HOSE LINES

CBT-90

CBT-90.max

When ordering replacement parts, always mention lift model number and serial number.

Item No.	No. Req.	Part No.	Description
1	1	K93239	Base Assembly
2	2	R18230-170	Anchor Bolt
3	4	R18230-08	Shim Pack
4	8	R18230-173	3/4"-10 x 2" Bolt
5	8	R18230-171	3/4" Dia. Lockwasher



PANZITTA SALES & SERVICE
 72 George Avenue
 Wilkes-Barre, PA 18705
 570-822-6720 800-822-6720
www.panzittasales.com

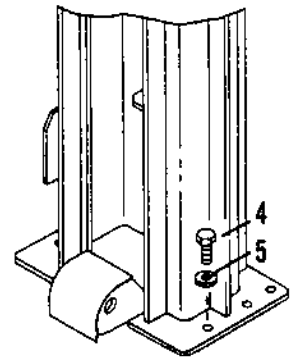
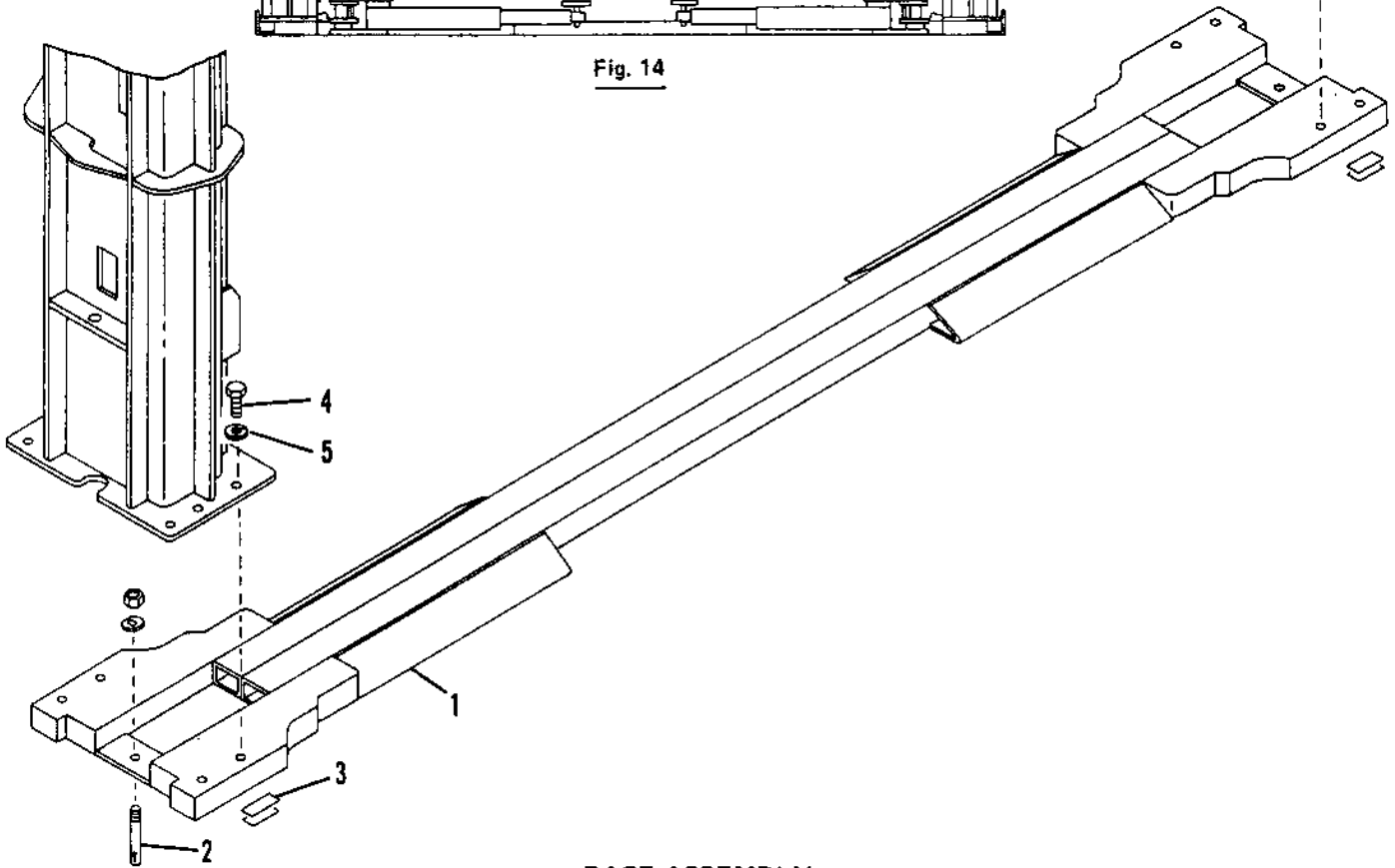


Fig. 14



BASE ASSEMBLY

CBT-90

CBT-90.max

When ordering replacement parts, always mention lift model number and serial number.

NOTE:

Items 1 & 2 do not include lift pad and roll pin.

NOTE:

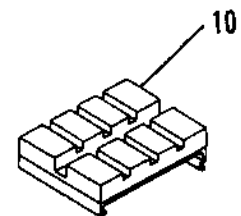
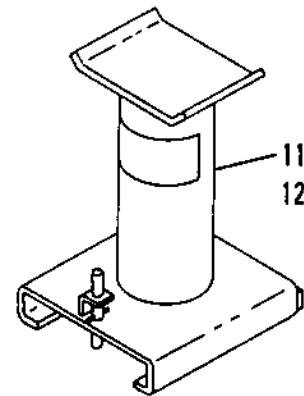
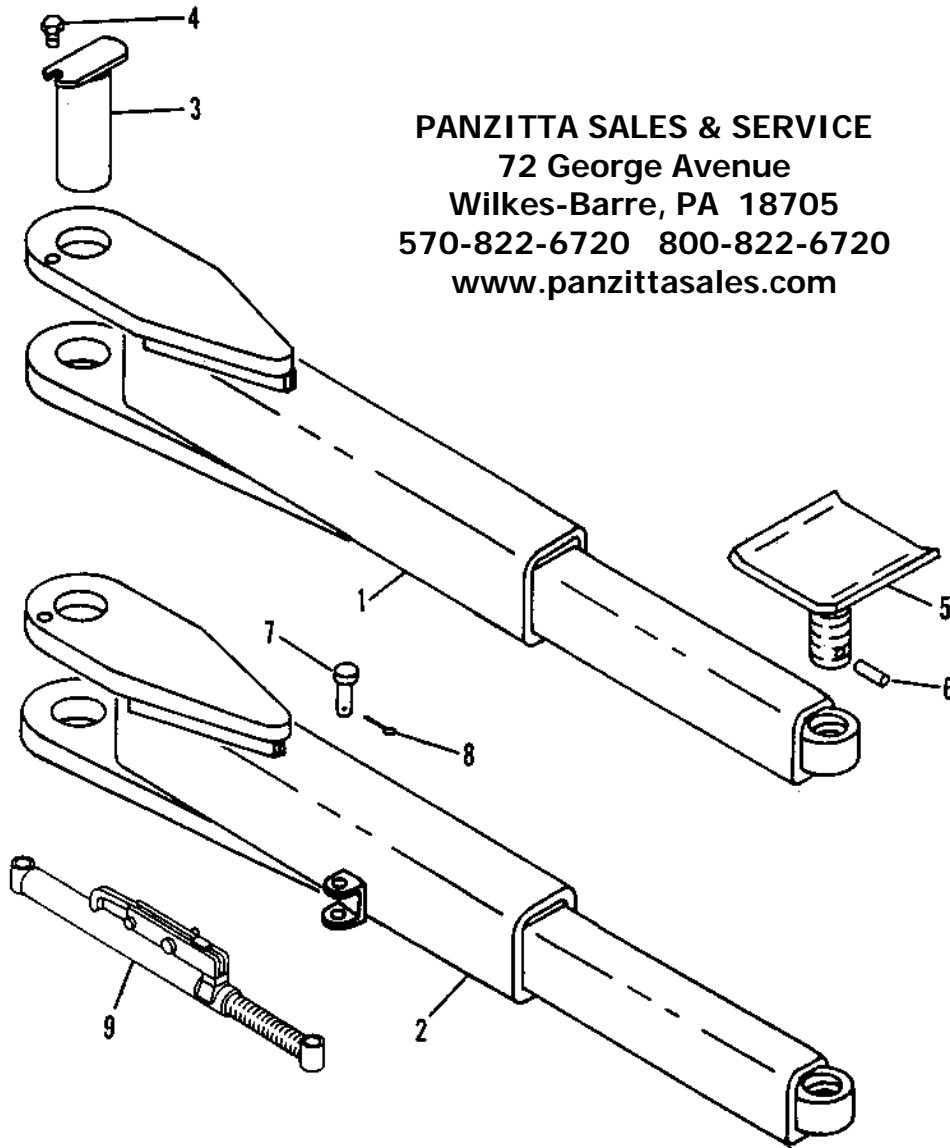
Arm locks must be installed in position shown

NOTE:

Items 10, 11, and 12 are optional 4-piece kits.

One set of right & left swing arms shown.

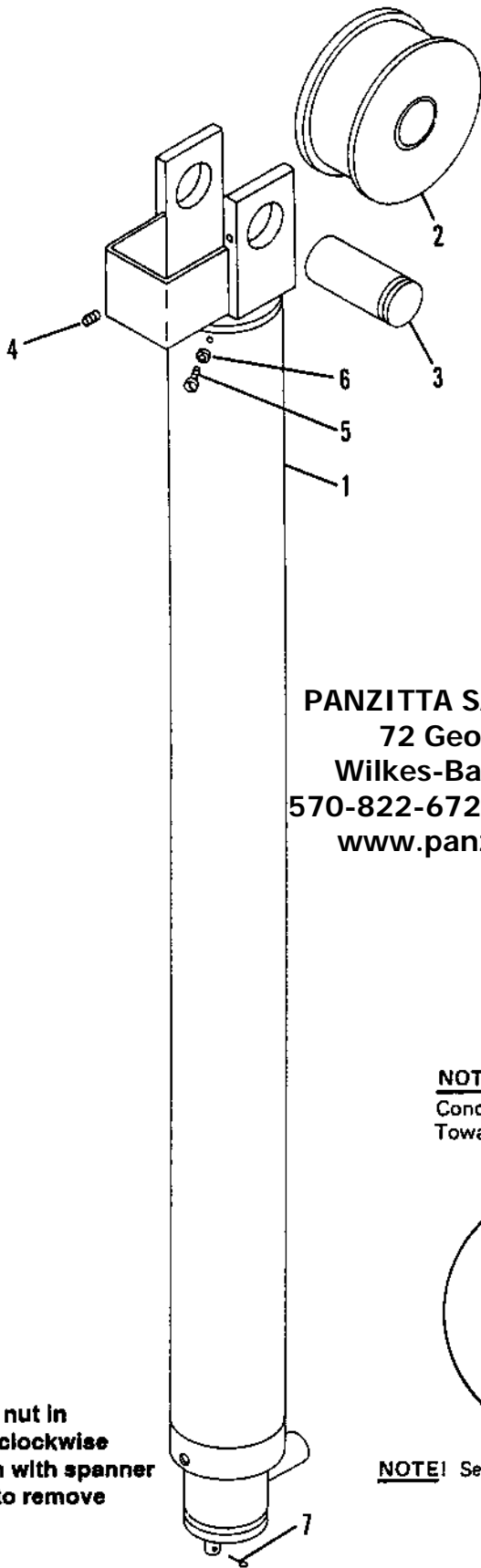
Item No.	No. Req.	Part No.	Description
1	2	R18230-266	Arm (Right)
2	2	R18230-267	Arm (Left)
3	4	R18230-232	Arm Pin
4	4	R18230-136	1/4-20 x 5/8 Tap Bolt
5	4	R18230-54	Lift Pad
6	4	R18230-125	Roll Pin 1/8 Dia. x 1-3/8
7	8	R18230-245	Pin
8	8	R18230-122	Cotter Pin 1/8" Dia. x 1"
9	4	R18230-246	Arm Lock Ass'y
10	1	K93223	Kit of (4) Pads
11	1	K93216	Height Adapter Kit, 4"
12	1	K93218	Height Adapter Kit, 8"



PANZITTA SALES & SERVICE
 72 George Avenue
 Wilkes-Barre, PA 18705
 570-822-6720 800-822-6720
 www.panzittasales.com

SWING ARMS & ARM LOCKS

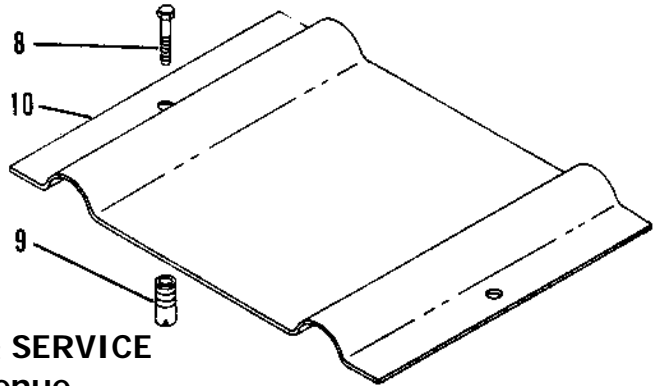
When ordering replacement parts, always mention lift model number and serial number.



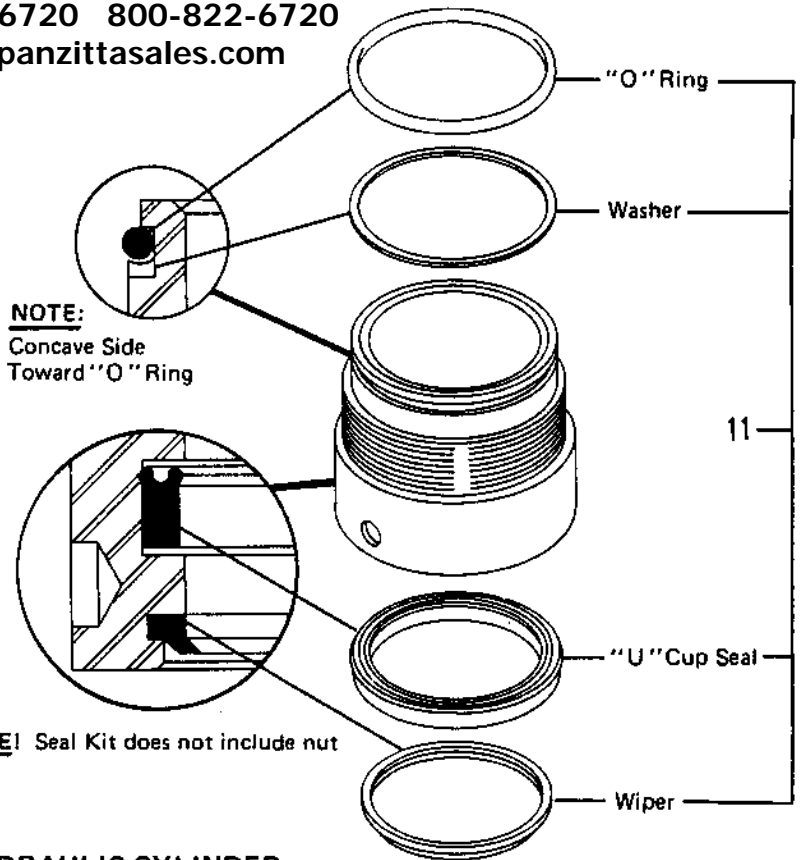
Item No.	No. Reg.	Part No.	Description
1	2	R18230-87	Cylinder
2	1	R18230-88	Chain Sheave
3	1	R18230-89	Shaft
4	1	R18230-135	1/4-20 x 3/8 Loc. Set Screw
5	1	R18230-133	No. 10-32 x 5/16 Bleeder Screw
6	1	R18230-58	Bleeder Washer
7	1	R18230-122	Cotter Pin 1/8 Dia. x 1
8	2	K03782	Hex Hd. Bolt 5/16-18 x 1-3/4
9	2	K79695	Expansion Shield
10	1	T07915	Wheel Locator Plate
11	1	K34159	Seal Kit

NOTE!

Item No. 2 thru No. 7 are the quantity required per cylinder, for entire lift, double quantities.



PANZITTA SALES & SERVICE
 72 George Avenue
 Wilkes-Barre, PA 18705
 570-822-6720 800-822-6720
 www.panzittasales.com



NOTE:
 Concave Side
 Toward "O" Ring

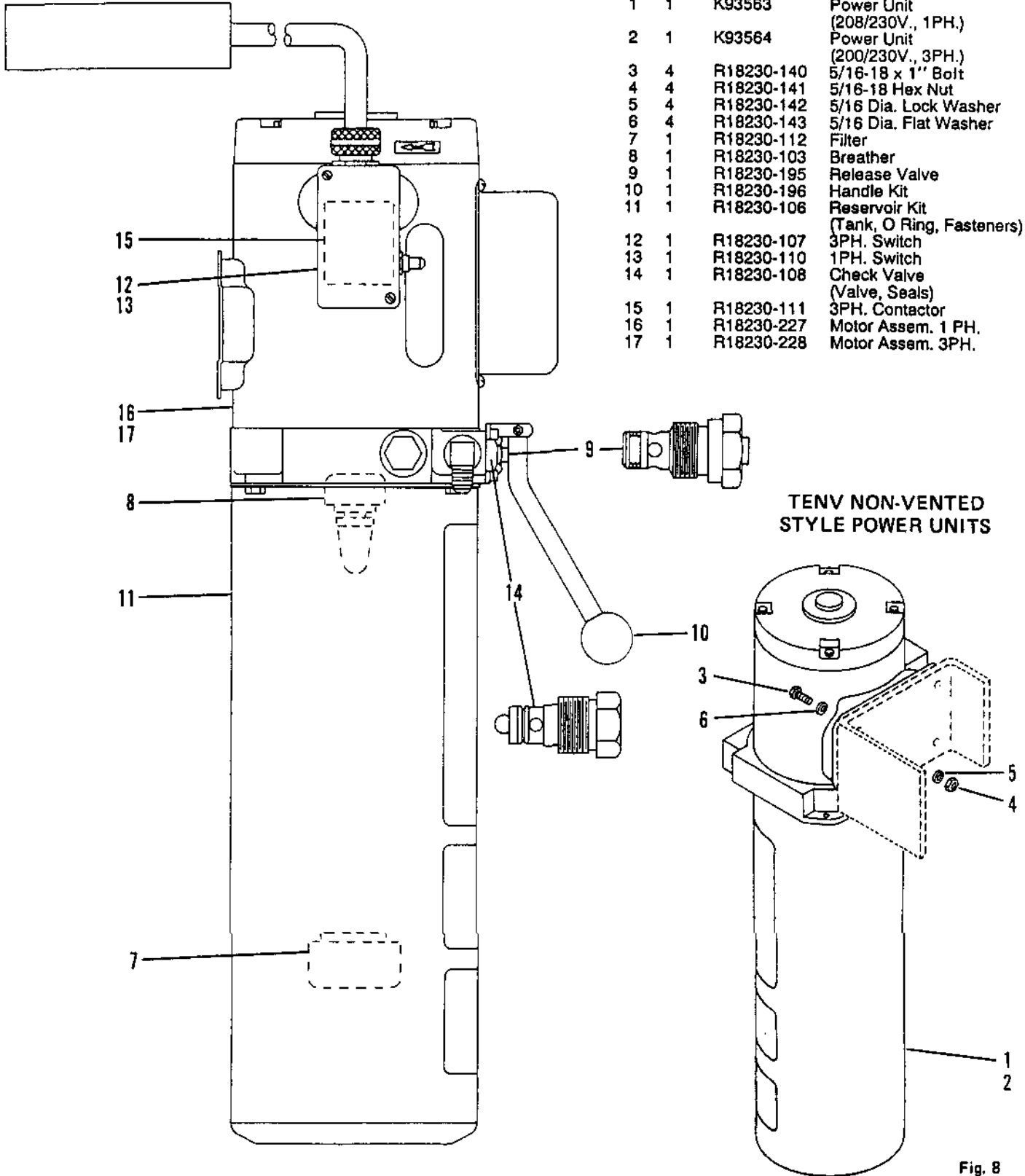
NOTE! Seal Kit does not include nut

NOTE!
 Remove nut in
 counter clockwise
 direction with spanner
 wrench to remove
 seal.

HYDRAULIC CYLINDER

When ordering replacement parts, always mention lift model number and serial number

Item No.	No. Req.	Part No.	Description
1	1	K93563	Power Unit (208/230V., 1PH.)
2	1	K93564	Power Unit (200/230V., 3PH.)
3	4	R18230-140	5/16-18 x 1" Bolt
4	4	R18230-141	5/16-18 Hex Nut
5	4	R18230-142	5/16 Dia. Lock Washer
6	4	R18230-143	5/16 Dia. Flat Washer
7	1	R18230-112	Filter
8	1	R18230-103	Breather
9	1	R18230-195	Release Valve
10	1	R18230-196	Handle Kit
11	1	R18230-106	Reservoir Kit (Tank, O Ring, Fasteners)
12	1	R18230-107	3PH. Switch
13	1	R18230-110	1PH. Switch
14	1	R18230-108	Check Valve (Valve, Seals)
15	1	R18230-111	3PH. Contactor
16	1	R18230-227	Motor Assem. 1 PH.
17	1	R18230-228	Motor Assem. 3PH.



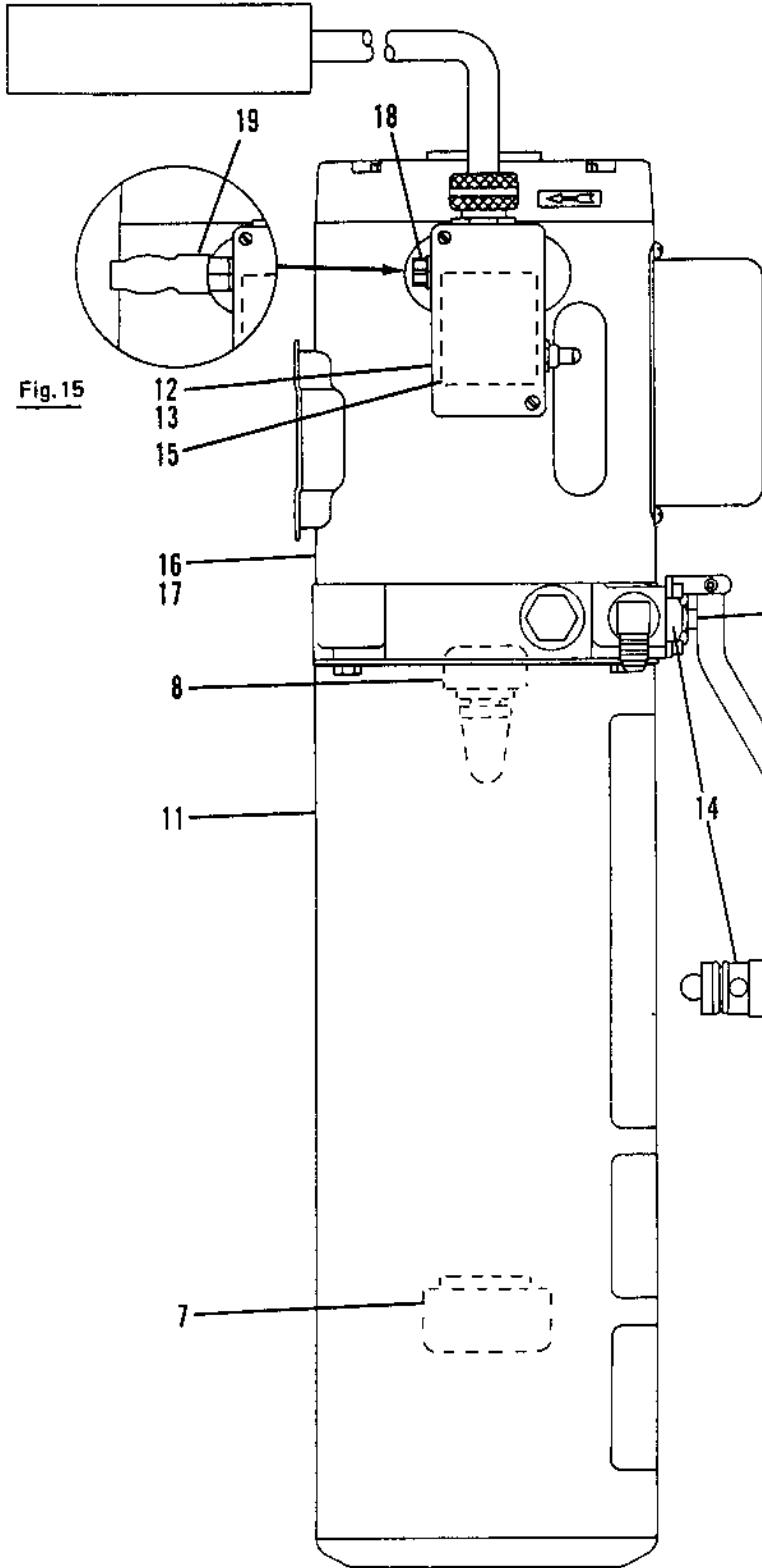
BARNES POWER UNIT

POWER UNIT

Fig. 8

When ordering replacement parts, always mention lift model number and serial number

Item No.	No. Req.	Part No.	Description
1	1	K93272	Power Unit (208/230V., 1PH.)
2	1	K93273	Power Unit (200/230V., 3PH.)
3	4	R18230-140	5/16-18 x 1" Bolt
4	4	R18230-141	5/16-18 Hex Nut
5	4	R18230-142	5/16 Dia. Lock Washer
6	4	R18230-143	5/16 Dia. Flat Washer
7	1	R18230-112	Filter
8	1	R18230-103	Breather
9	1	R18230-195	Release Valve
10	1	R18230-196	Handle Kit
11	1	R18230-106	Reservoir Kit (Tank, O Ring, Fasteners)
12	1	R18230-107	3 PH. Switch
13	1	R18230-110	1 PH. Switch
14	1	R18230-108	Check Valve (Valve, Seals)
15	1	R18230-111	3 PH. Contactor
16	1	R18230-193	Motor Assem. 1 PH.
17	1	R18230-194	Motor Assem. 3 PH.
18	1	R18230-235	Connector
19	1	R18230-236	Jumper Plug



BARNES POWER UNIT WITH FLUSH MOUNTED CONNECTOR

POWER UNIT

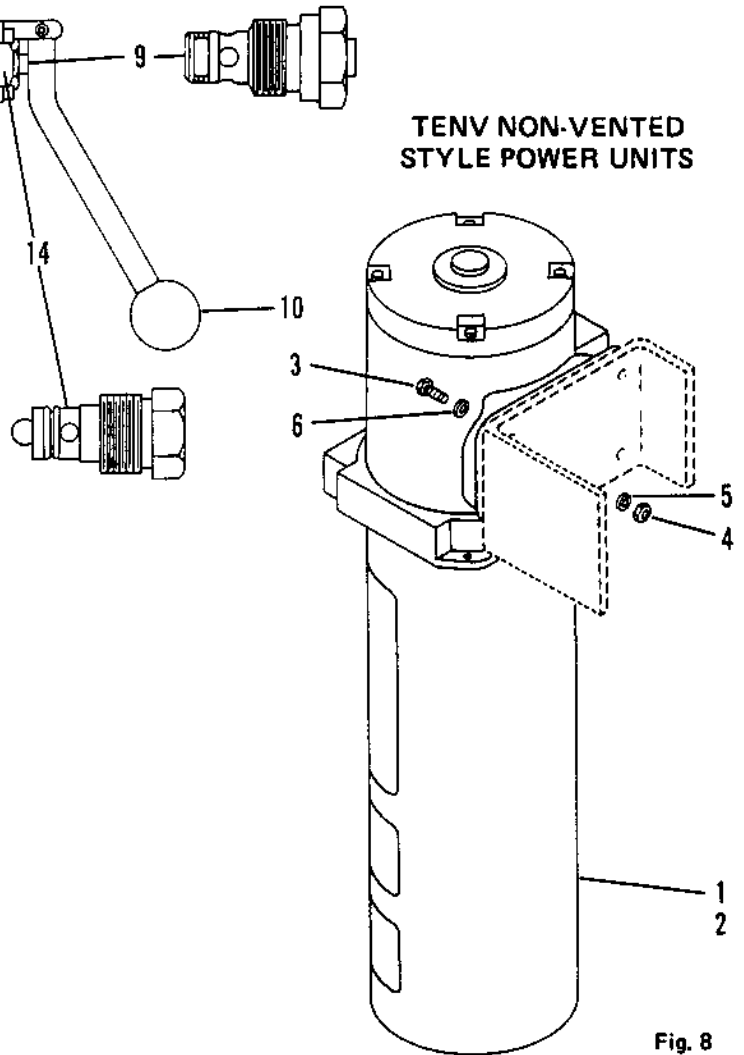
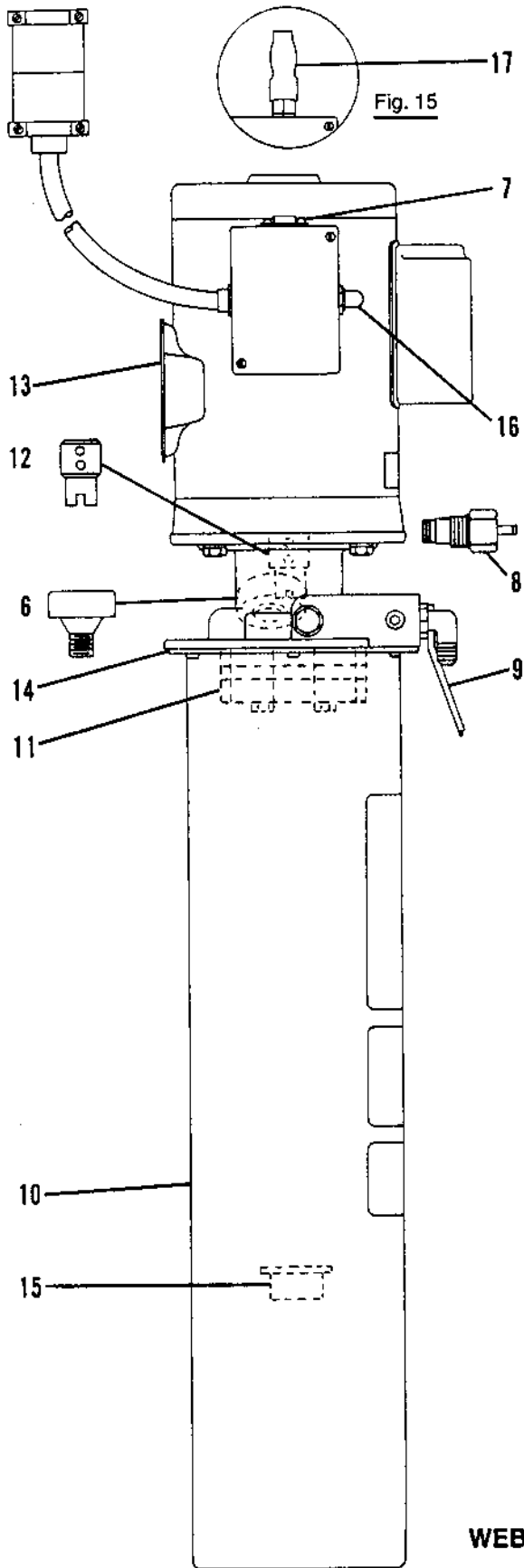


Fig. 8

When ordering replacement parts, always mention lift model number and serial number.



WEBSTER POWER UNIT

Item No.	No. Req.	Part No.	Description
1	1	K93272	Power Unit (208/230V., 1 PH.)
2	4	R18230-140	5/16-18 x 1" Bolt
3	4	R18230-141	5/16-18 Hex Nut
4	4	R18230-142	5/16 Dia. Lock Washer
5	4	R18230-143	5/16 Dia. Flat Washer
6	1	R18230-270	Breather
7	1	R18230-235	Connector
8	1	R18230-271	Manual Valve Assm.
9	1	R18230-272	Handle Kit
10	1	R18230-273	Tank Kit
11	1	R18230-274	Pump Assm.
12	1	R18230-275	Motor Hdwe. Kit
13	1	R18230-269	Motor Assm. 1 PH.
14	1	R18230-276	Tank Gasket
15	1	R18230-277	Inlet Strainer
16	1	R18230-278	Motor Switch Kit
17	1	R18230-236	Jumper Plug

PANZITTA SALES & SERVICE
 72 George Avenue
 Wilkes-Barre, PA 18705
 570-822-6720 800-822-6720
 www.panzittasales.com

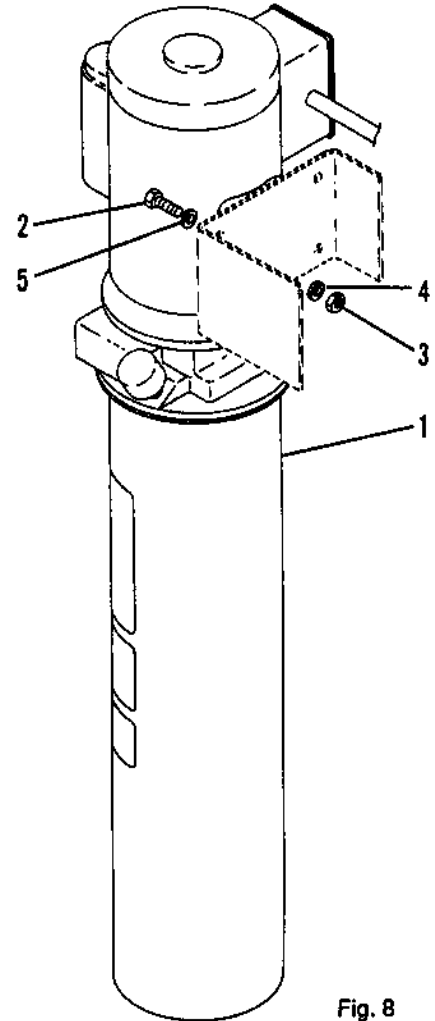


Fig. 8