

PANZITTA SALES & SERVICE  
72 George Avenue  
Wilkes-Barre, PA 18705  
570-822-6720 800-822-6720  
www.panzittasales.com

# MANITOWOC LIFTS

PARTS LIST

## CBT-70

### BASE TYPE LIFT

F-42C40D0500 (208/230V., 1PH.)

F-42C50D0500 (200/230V., 3PH.)

**LIFT CAPACITY 7,000 LBS.  
1,750 LBS. PER SWING ARM**

CBT-70.max

When ordering replacement parts, always mention lift model number and serial number.

Item No.	No. Req.	Part No.	Description
1	1	R18230-113	Column Weldment (Drive)
2	1	R18230-115	Base Angle
3	2	R18230-124	Cotter Pin
4	1	R18230-06	Cable Sheave
5	1	R18230-116	Pin
6	2	R18230-122	Cotter Pin
7	4	R18230-170	Anchor Bolt
8	2	R18230-173	3/4" x 10 x 2" Bolt
9	1	R18230-118	Column Sheave Bkt.
10	2	R18230-171	3/4" Dia. Lock Washer
11	6	R18230-172	3/4" Dia. Flat Washer
12	2	R18230-161	5/8-11 x 1-1/2" Bolt
13	2	R18230-162	5/8-11 Hex Nut
14	2	R18230-164	5/8" Dia. Lock Washer
15	2	R18230-177	Washer
16	2	R18230-09	7" Bumper
17	2	R18230-10	12" Bumper
18	1	R18230-119	Pin
19	2	R18230-117	Cable Sheave

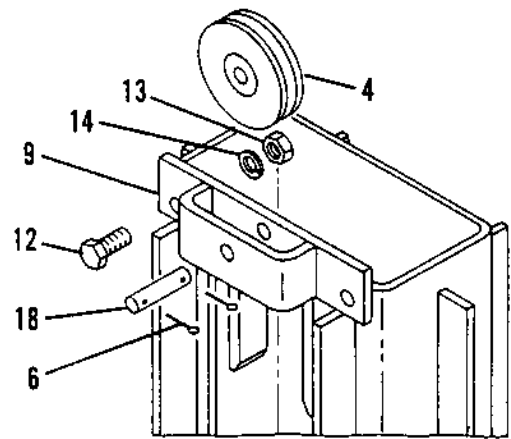
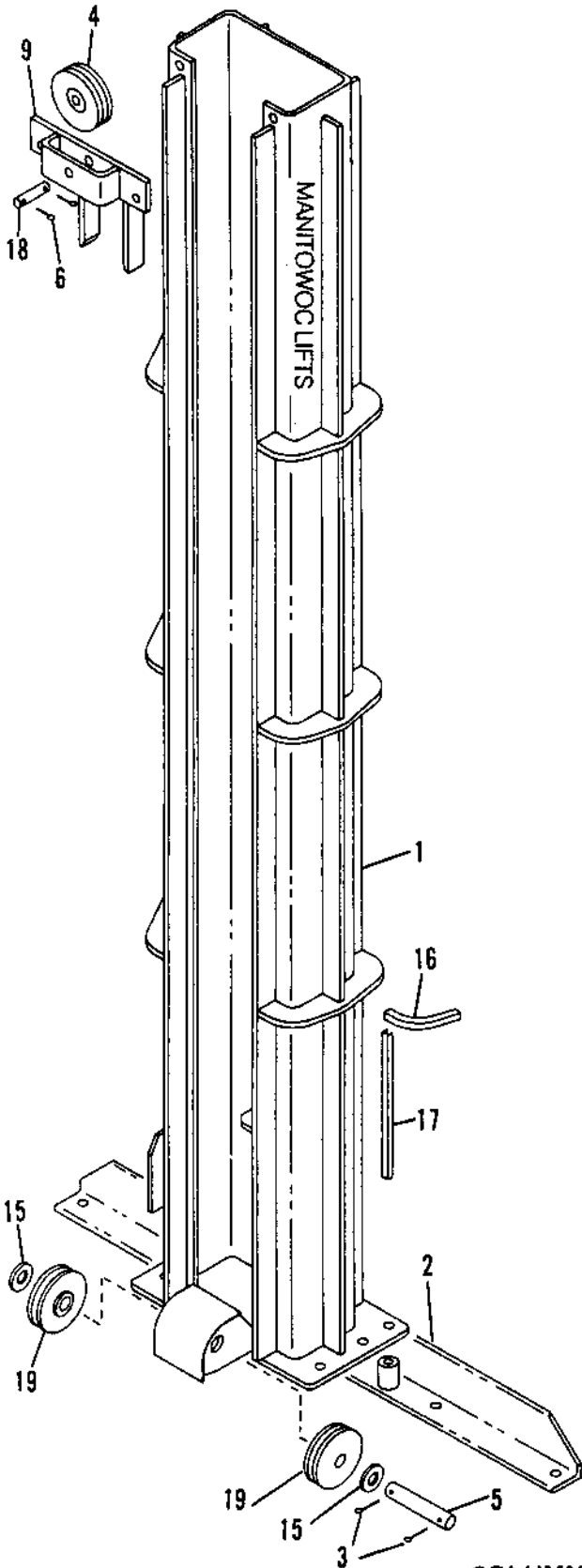
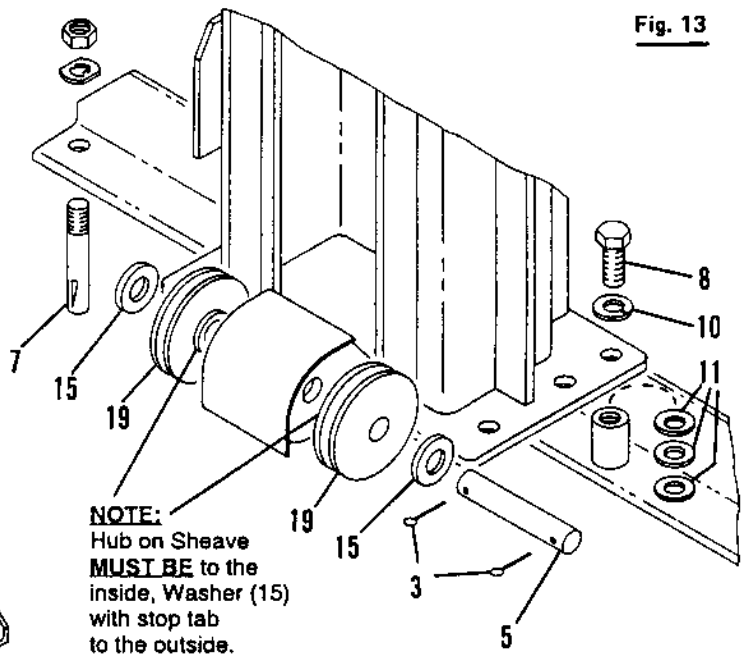


Fig. 13



COLUMN (DRIVE SIDE)

PANZITTA SALES & SERVICE

CBT-70

72 George Avenue

Wilkes-Barre, PA 18705

CBT-70.max

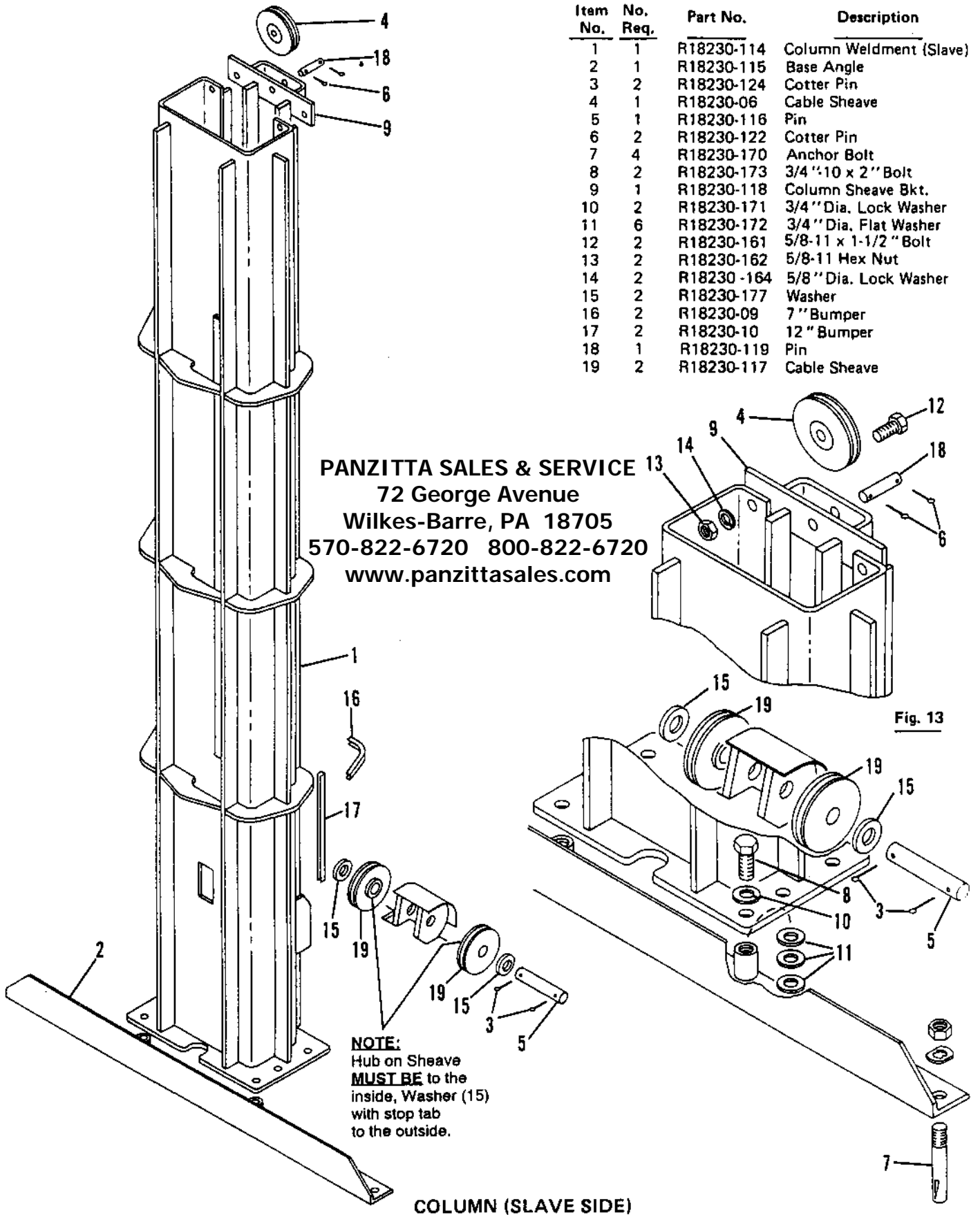
570-822-6720 800-822-6720

www.panzittasales.com

When ordering replacement parts, always mention lift model number and serial number.

Item No.	No. Req.	Part No.	Description
1	1	R18230-114	Column Weldment (Slave)
2	1	R18230-115	Base Angle
3	2	R18230-124	Cotter Pin
4	1	R18230-06	Cable Sheave
5	1	R18230-116	Pin
6	2	R18230-122	Cotter Pin
7	4	R18230-170	Anchor Bolt
8	2	R18230-173	3/4" x 10 x 2" Bolt
9	1	R18230-118	Column Sheave Bkt.
10	2	R18230-171	3/4" Dia. Lock Washer
11	6	R18230-172	3/4" Dia. Flat Washer
12	2	R18230-161	5/8-11 x 1-1/2" Bolt
13	2	R18230-162	5/8-11 Hex Nut
14	2	R18230-164	5/8" Dia. Lock Washer
15	2	R18230-177	Washer
16	2	R18230-09	7" Bumper
17	2	R18230-10	12" Bumper
18	1	R18230-119	Pin
19	2	R18230-117	Cable Sheave

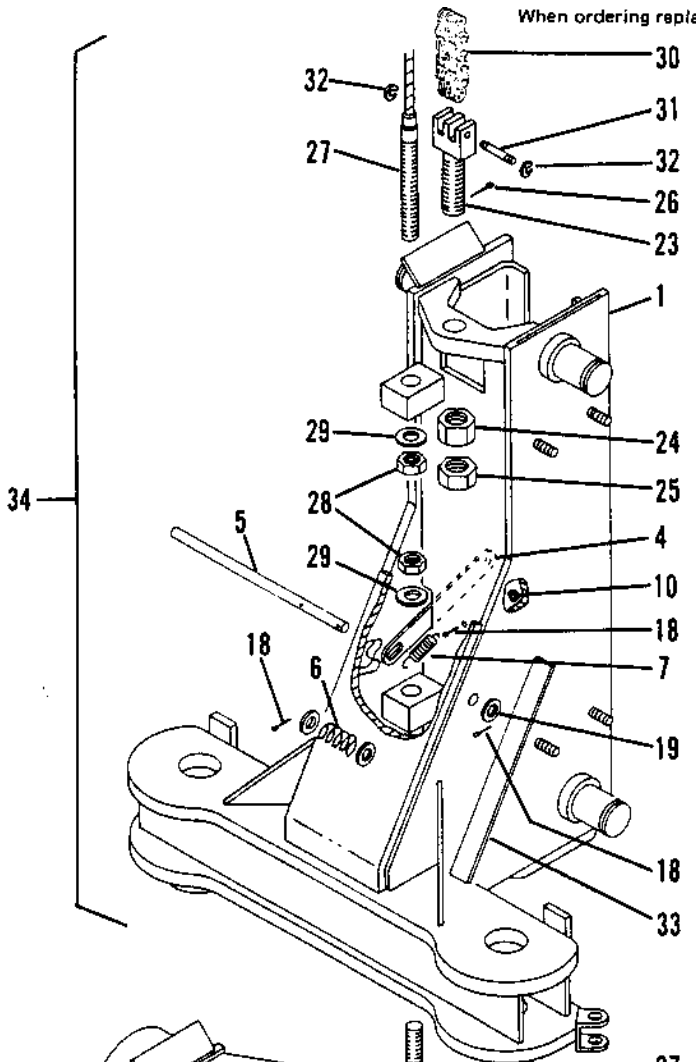
**PANZITTA SALES & SERVICE**  
 72 George Avenue  
 Wilkes-Barre, PA 18705  
 570-822-6720 800-822-6720  
 www.panzittasales.com



**NOTE:**  
 Hub on Sheave  
**MUST BE** to the  
 inside, Washer (15)  
 with stop tab  
 to the outside.

**COLUMN (SLAVE SIDE)**

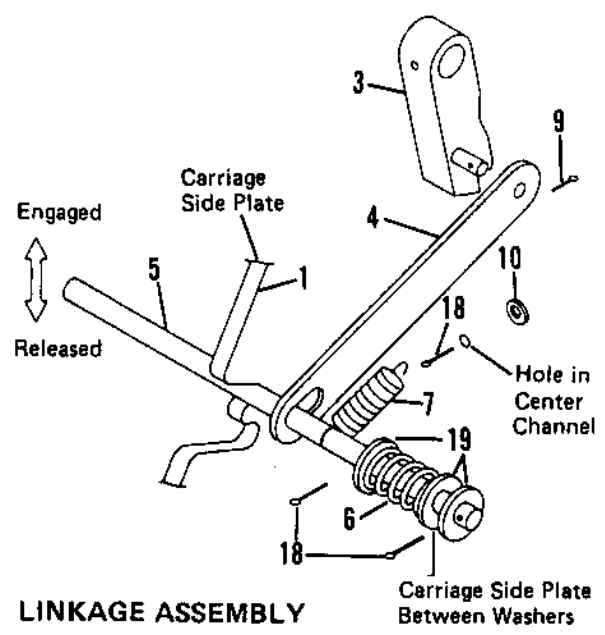
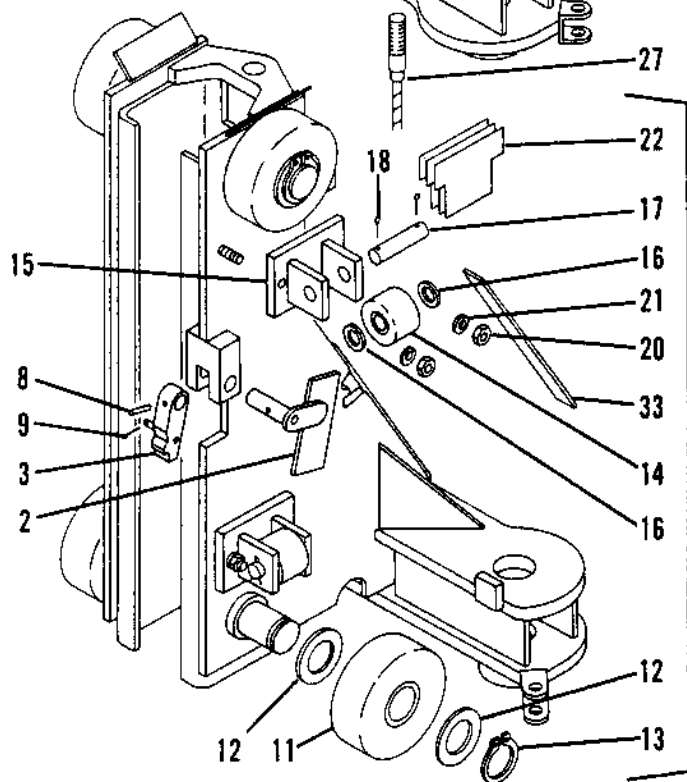
When ordering replacement parts, always mention lift model number and serial number.



Item No.	No. Req.	Part No.	Description
1	2	R18230-260	Carriage Weldment
2	1	R18230-13	Counterweight
3	1	R18230-14	Safety Dog
4	1	R18230-15	Link
5	1	R18230-16	Lever
6	1	R18230-17	Compression Spring
7	1	R18230-18	Extension Spring
8	1	R18230-127	Roll Pin 3/16" Dia. x 1
9	1	R18230-120	Cotter Pin 1/16" Dia. x 1/2
10	1	R18230-131	No. 6 SAE Flat Washer
11	4	R18230-19	Roller (Main)
12	8	R18230-20	Thrust Washer (Large)
13	4	R18230-21	Retaining Ring
14	4	R18230-22	Roller (Side)
15	4	R18230-23	Bracket
16	8	R18230-24	Thrust Washer (Small)
17	4	R18230-25	Pin (Side Roller)
18	11	R18230-122	Cotter Pin 1/8" Dia. x 1
19	3	R18230-148	3/8" Dia. Flat Washer
20	8	R18230-146	3/8-16 Hex Nut
21	8	R18230-147	3/8" Dia. Lock Washer
22	2	R18230-26	Shim Pack (Carriage)
23	1	R18230-27	Chain Retainer
24	1	R18230-175	7/8-9 Hex Nut
25	1	R18230-176	7/8-9 Hex Jam Nut
26	1	R18230-121	Cotter Pin 1/8" Dia. x 1-1/4
27	1	R18230-180	Wire Rope
28	2	R18230-163	5/8-11 Nylon Insert Nut
29	2	R18230-165	5/8" Dia. SAE Flat Washer
30	1	R18230-29	Leaf Chain
31	2	R18230-30	Chain Pin
32	4	R18230-31	Retaining Ring
33	2	R18230-32	Rubber Bumper
34	2	R18230-261	Carriage Complete

**NOTE!**

Items No. 2 thru No. 33 are the quantity required per carriage, for entire lift, double quantities.



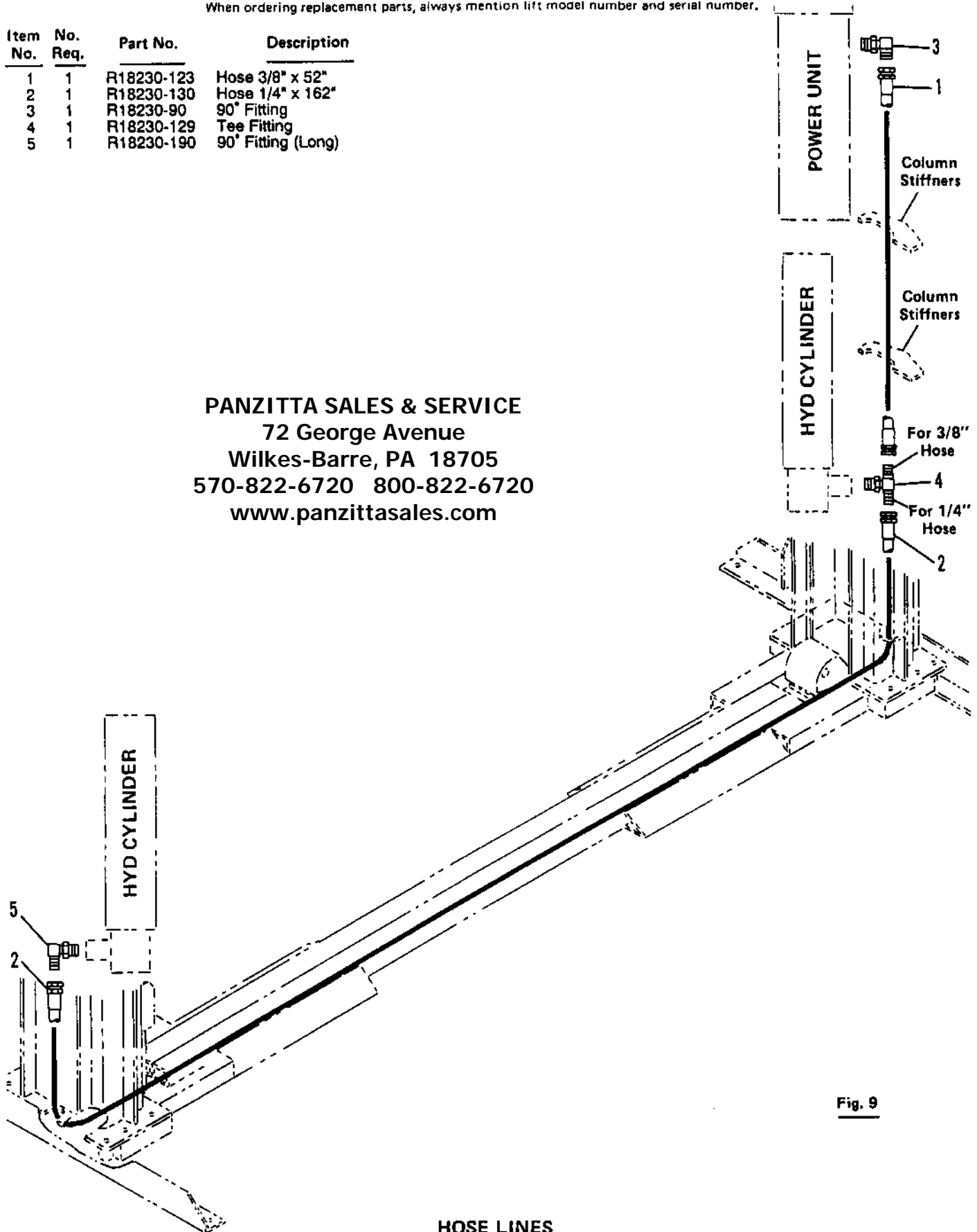
**LINKAGE ASSEMBLY**

**CARRIAGE**

When ordering replacement parts, always mention lift model number and serial number.

Item No.	No. Req.	Part No.	Description
1	1	R18230-123	Hose 3/8" x 52"
2	1	R18230-130	Hose 1/4" x 162"
3	1	R18230-90	90° Fitting
4	1	R18230-129	Tee Fitting
5	1	R18230-190	90° Fitting (Long)

**PANZITTA SALES & SERVICE**  
 72 George Avenue  
 Wilkes-Barre, PA 18705  
 570-822-6720 800-822-6720  
 www.panzittasales.com



**Fig. 9**

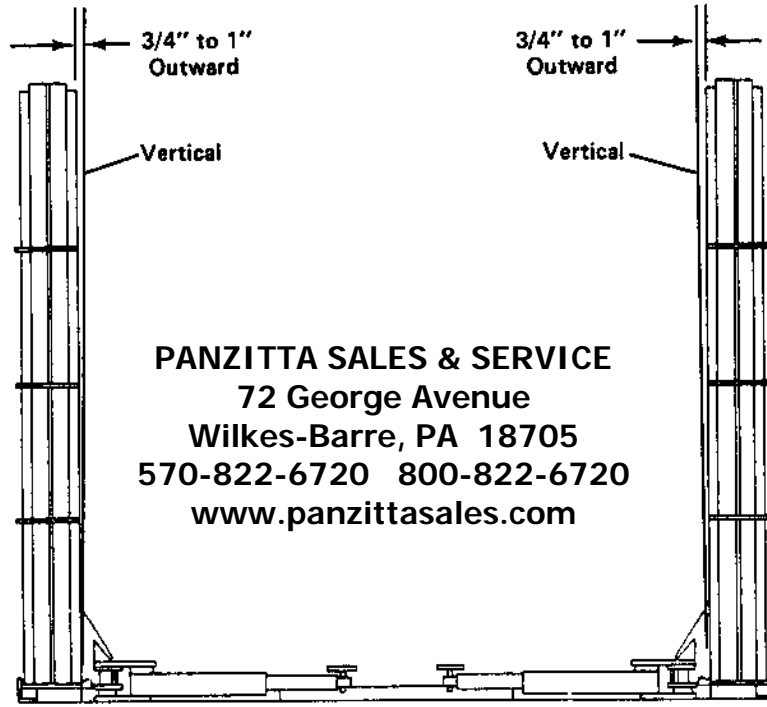
**HOSE LINES**

CBT-70

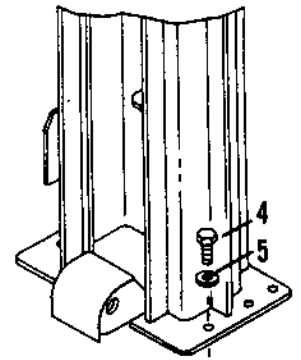
CBT-70.max

When ordering replacement parts, always mention lift model number and serial number.

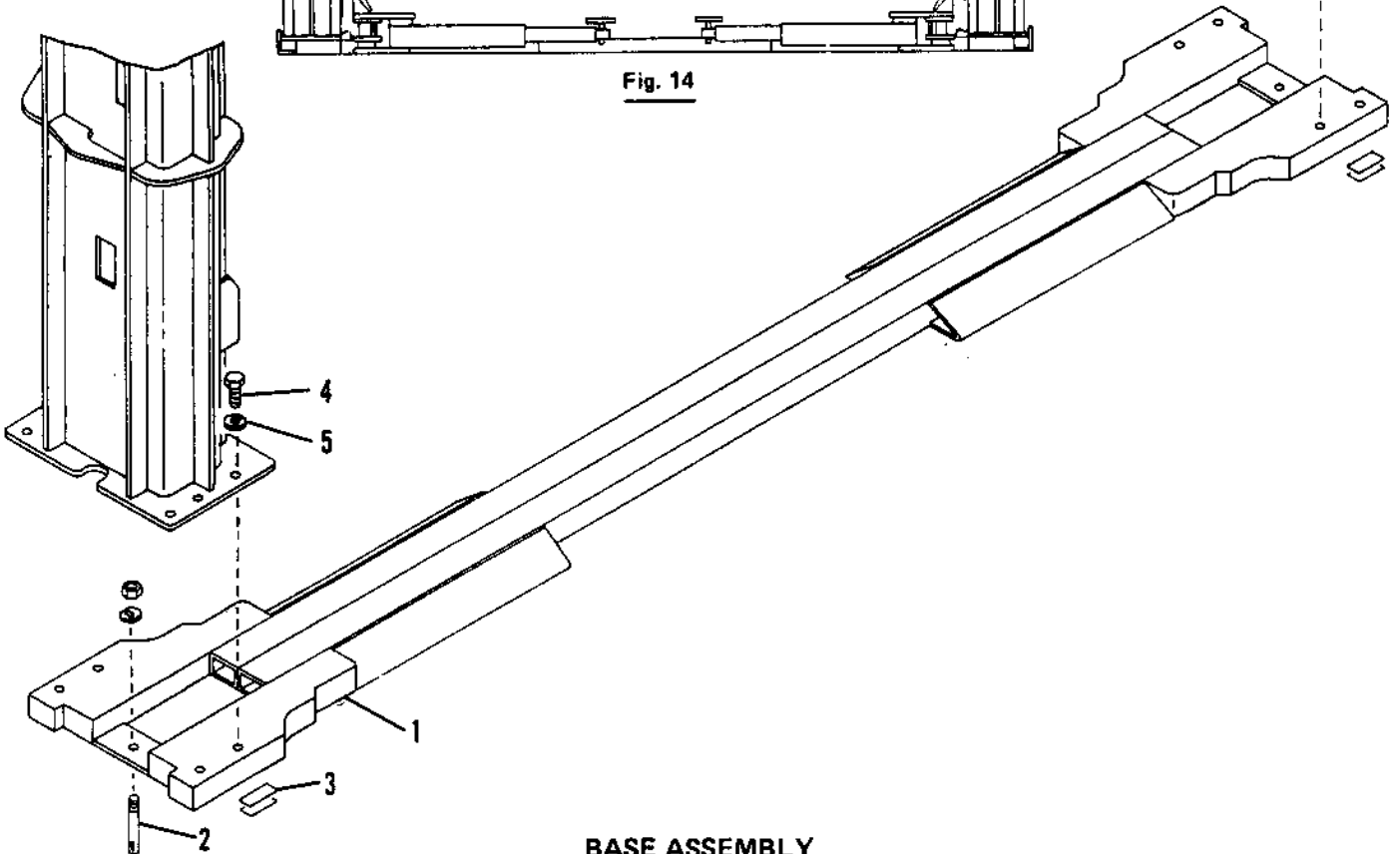
Item No.	No. Req.	Part No.	Description
1	1	K93239	Base Assembly
2	2	R18230-170	Anchor Bolt
3	4	R18230-08	Shim Pack
4	8	R18230-173	3/4 "x 10 x 2 " Bolt
5	8	R18230-171	3/4 " Dia. Lockwasher



**PANZITTA SALES & SERVICE**  
 72 George Avenue  
 Wilkes-Barre, PA 18705  
 570-822-6720 800-822-6720  
 www.panzittasales.com



**Fig. 14**



**BASE ASSEMBLY**

CBT-70

CBT-70.max

When ordering replacement parts, always mention lift model number and serial number.

**NOTE:**

Items 1 & 2 do not include lift pad and roll pin.

**NOTE:**

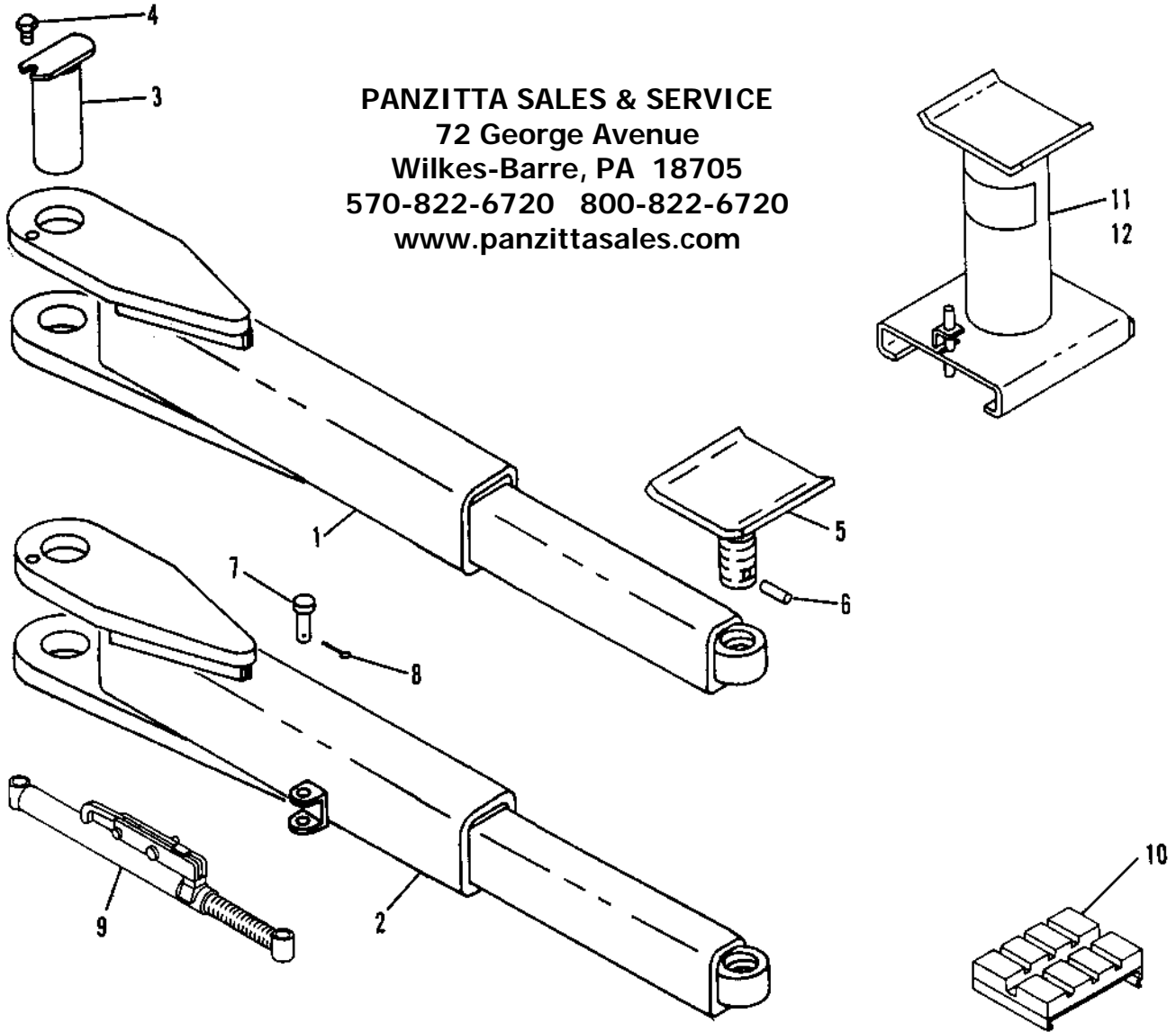
Arm locks must be installed in position shown

**NOTE:**

Items 10, 11, and 12 are optional 4-piece kits.

One set of right & left swing arms shown.

Item No.	No. Req.	Part No.	Description
1	2	R18230-262	Arm (Right)
2	2	R18230-263	Arm (Left)
3	4	R18230-183	Arm Pin
4	4	R18230-136	1/4-20 x 5/8 Tap Bolt
5	4	R18230-54	Lift Pad
6	4	R18230-125	Roll Pin 1/8 Dia. x 1-3/8
7	8	R18230-245	Pin
8	8	R18230-122	Cotter Pin 1/8" Dia. x 1"
9	4	R18230-246	Arm Lock Ass'y
10	1	K93223	Kit of (4) Pads
11	1	K93216	Height Adapter Kit, 4"
12	1	K93218	Height Adapter Kit, 8"



**PANZITTA SALES & SERVICE**  
 72 George Avenue  
 Wilkes-Barre, PA 18705  
 570-822-6720 800-822-6720  
 www.panzittasales.com

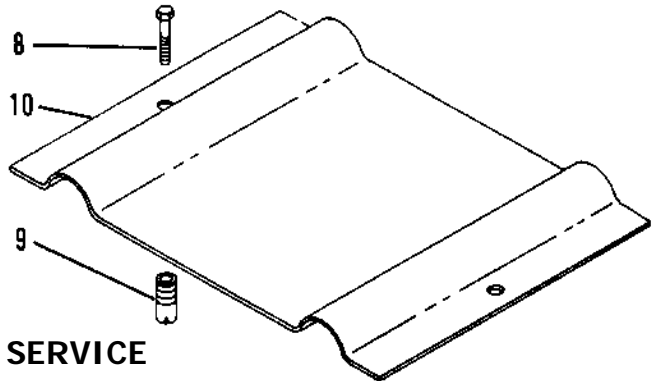
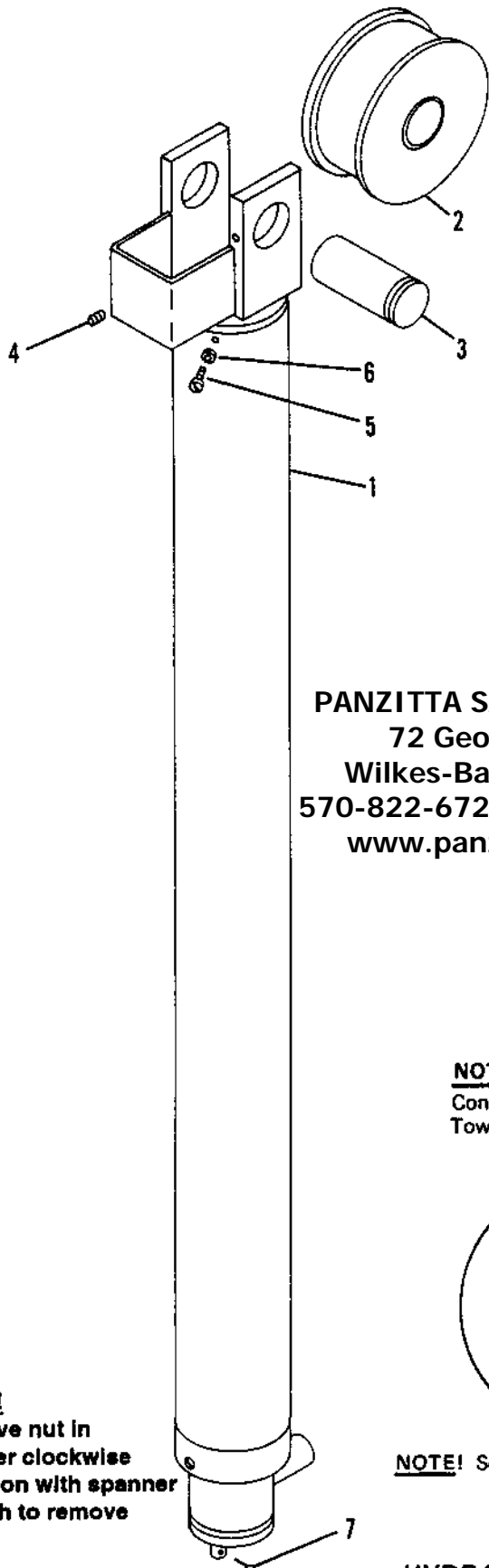
**SWING ARMS & ARM LOCKS**

When ordering replacement parts, always mention lift model number and serial number.

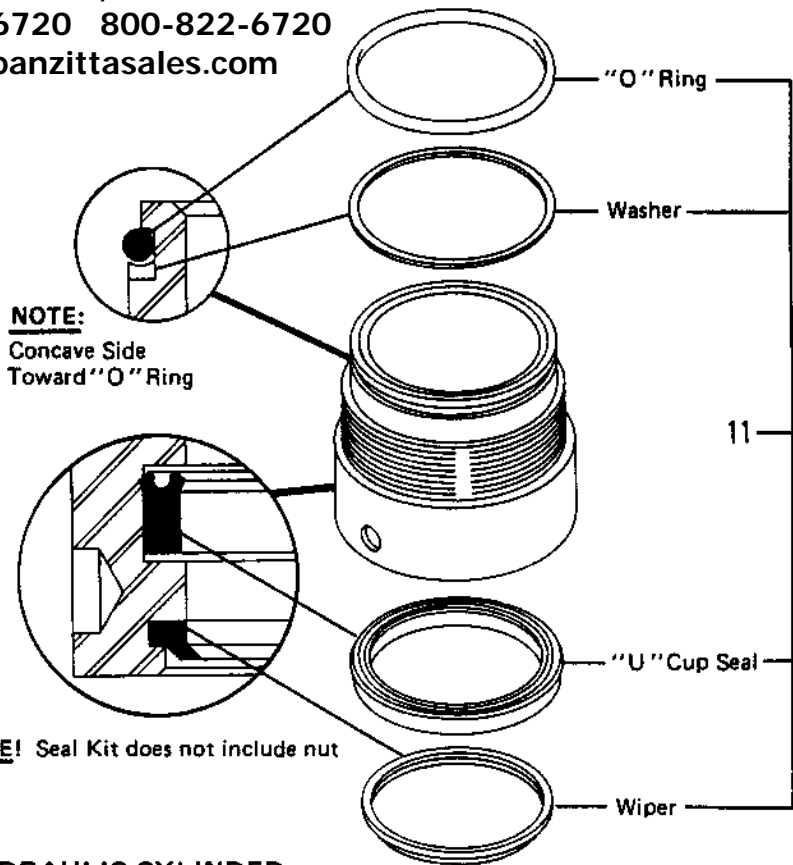
Item No.	No. Req.	Part No.	Description
1	2	R18230-55	Cylinder
2	1	R18230-56	Chain Sheave
3	1	R18230-57	Shaft
4	1	R18230-135	1/4-20 x 3/8 Loc. Set Screw
5	1	R18230-133	No. 10-32 x 5/16 Bleeder Screw
6	1	R18230-58	Bleeder Washer
7	1	R18230-122	Cotter Pin 1/8 Dia. x 1
8	2	K03782	Hex Hd. Bolt 5/16-18 x 1-3/4
9	2	K79695	Expansion Shield
10	1	T07915	Wheel Locator Plate
11	1	K34159	Seal Kit

**NOTE!**

Item No. 2 thru No. 7 are the quantity required per cylinder, for entire lift, double quantities.



**PANZITTA SALES & SERVICE**  
 72 George Avenue  
 Wilkes-Barre, PA 18705  
 570-822-6720 800-822-6720  
 www.panzittasales.com



**NOTE:**  
 Concave Side  
 Toward "O" Ring

**NOTE!** Seal Kit does not include nut

**NOTE!**  
 Remove nut in  
 counter clockwise  
 direction with spanner  
 wrench to remove  
 seal.

**HYDRAULIC CYLINDER**

CBT-70

CBT-70.max

When ordering replacement parts, always mention lift model number and serial number.

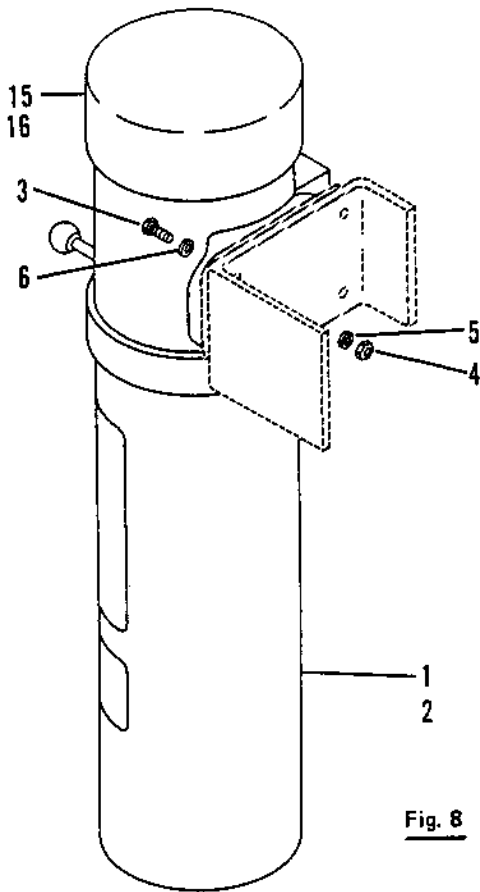


Fig. 8

**POWER UNIT**

Item No.	No. Req.	Part No.	Description
1	1	K93237	Power Unit (208/230V., 1 PH.)
2	1	K93238	Power Unit (200/230V., 3 PH.)
3	4	R18230-140	5/16-18 x 1" Bolt
4	4	R18230-141	5/16-18 Hex Nut
5	4	R18230-142	5/16 Dia. Lock Washer
6	4	R18230-143	5/16 Dia. Flat Washer
7	1	R18230-112	Filter
8	1	R18230-103	Breather
9	1	R18230-104	Release Valve Kit (Valve, Linkage, Handle)
10	1	R18230-105	Stud & Ball
11	1	R18230-106	Reservoir Kit (Tank, O Ring, Fasteners)
12	1	R18230-107	3 PH. Switch
12	1	R18230-110	1 PH. Switch
13	1	R18230-108	Check Valve (Valve, Seals)
14	1	R18230-111	3 PH. Contactor
15	1	R18230-197	Motor Assem. 1 PH.
16	1	R18230-198	Motor Assem. 3 PH.

**PANZITTA SALES & SERVICE**

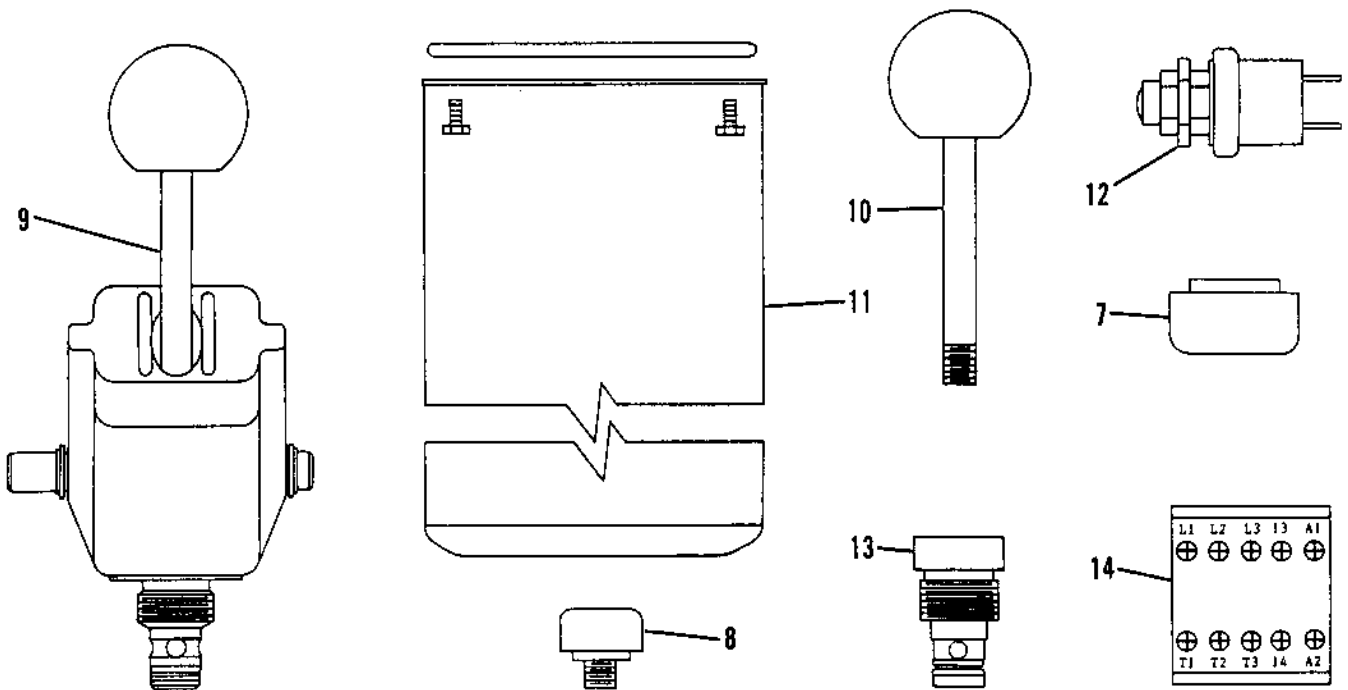
72 George Avenue

Wilkes-Barre, PA 18705

570-822-6720 800-822-6720

www.panzittasales.com

**BARNES ORIGINAL DESIGN POWER UNIT  
(WITH FAN COOLED MOTOR AND CAM  
ACTIVATED RELEASE VALVE)**



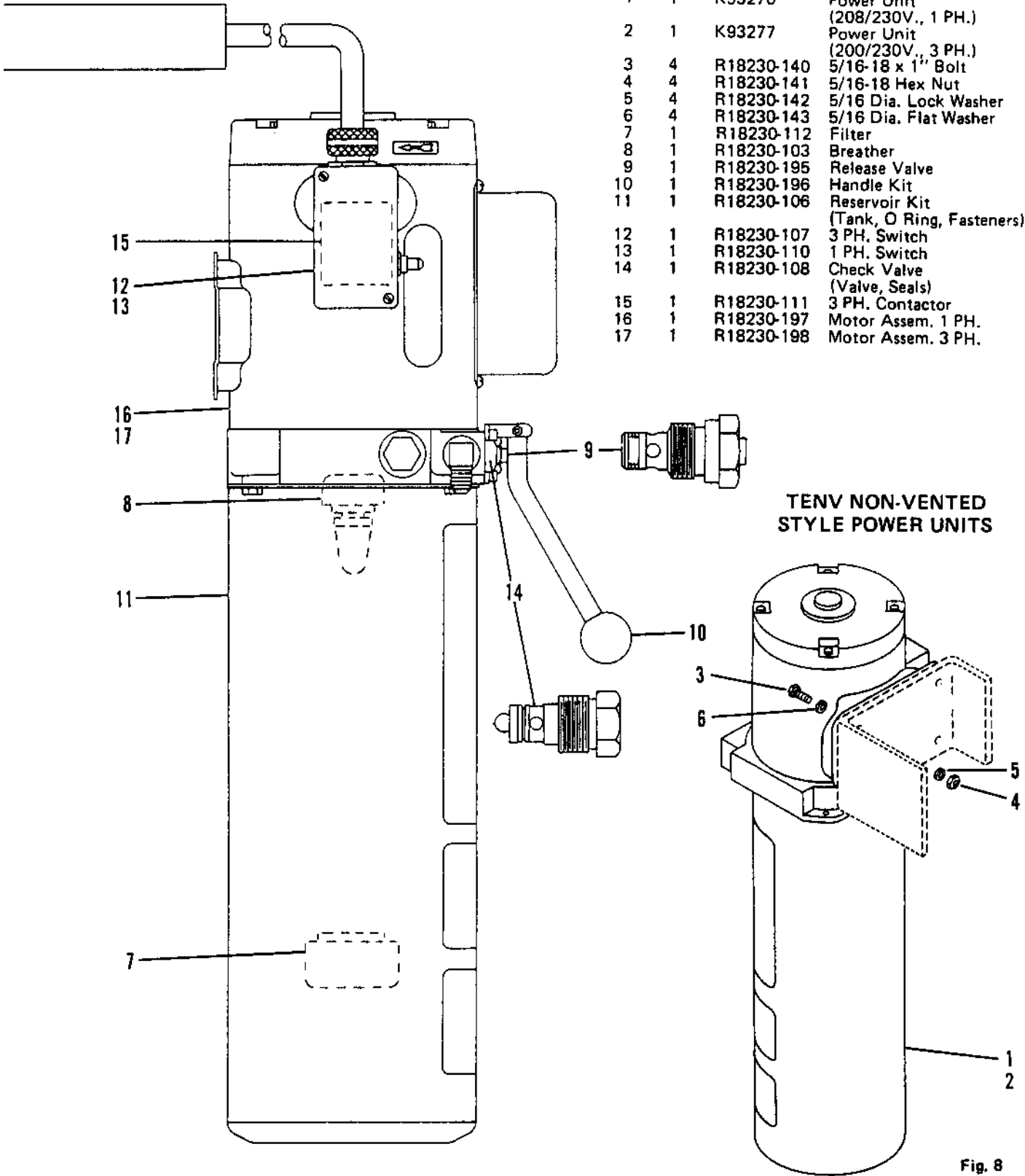
**REPLACEMENT PARTS**

CBT-70

CBT-70.max

When ordering replacement parts, always mention lift model number and serial number

Item No.	No. Req.	Part No.	Description
1	1	K93276	Power Unit (208/230V., 1 PH.)
2	1	K93277	Power Unit (200/230V., 3 PH.)
3	4	R18230-140	5/16-18 x 1" Bolt
4	4	R18230-141	5/16-18 Hex Nut
5	4	R18230-142	5/16 Dia. Lock Washer
6	4	R18230-143	5/16 Dia. Flat Washer
7	1	R18230-112	Filter
8	1	R18230-103	Breather
9	1	R18230-195	Release Valve
10	1	R18230-196	Handle Kit
11	1	R18230-106	Reservoir Kit (Tank, O Ring, Fasteners)
12	1	R18230-107	3 PH. Switch
13	1	R18230-110	1 PH. Switch
14	1	R18230-108	Check Valve (Valve, Seals)
15	1	R18230-111	3 PH. Contactor
16	1	R18230-197	Motor Assem. 1 PH.
17	1	R18230-198	Motor Assem. 3 PH.



BARNES POWER UNIT

POWER UNIT

CBT-70

CBT-70.max

PANZITTA SALES & SERVICE

72 George Avenue

Wilkes-Barre, PA 18705

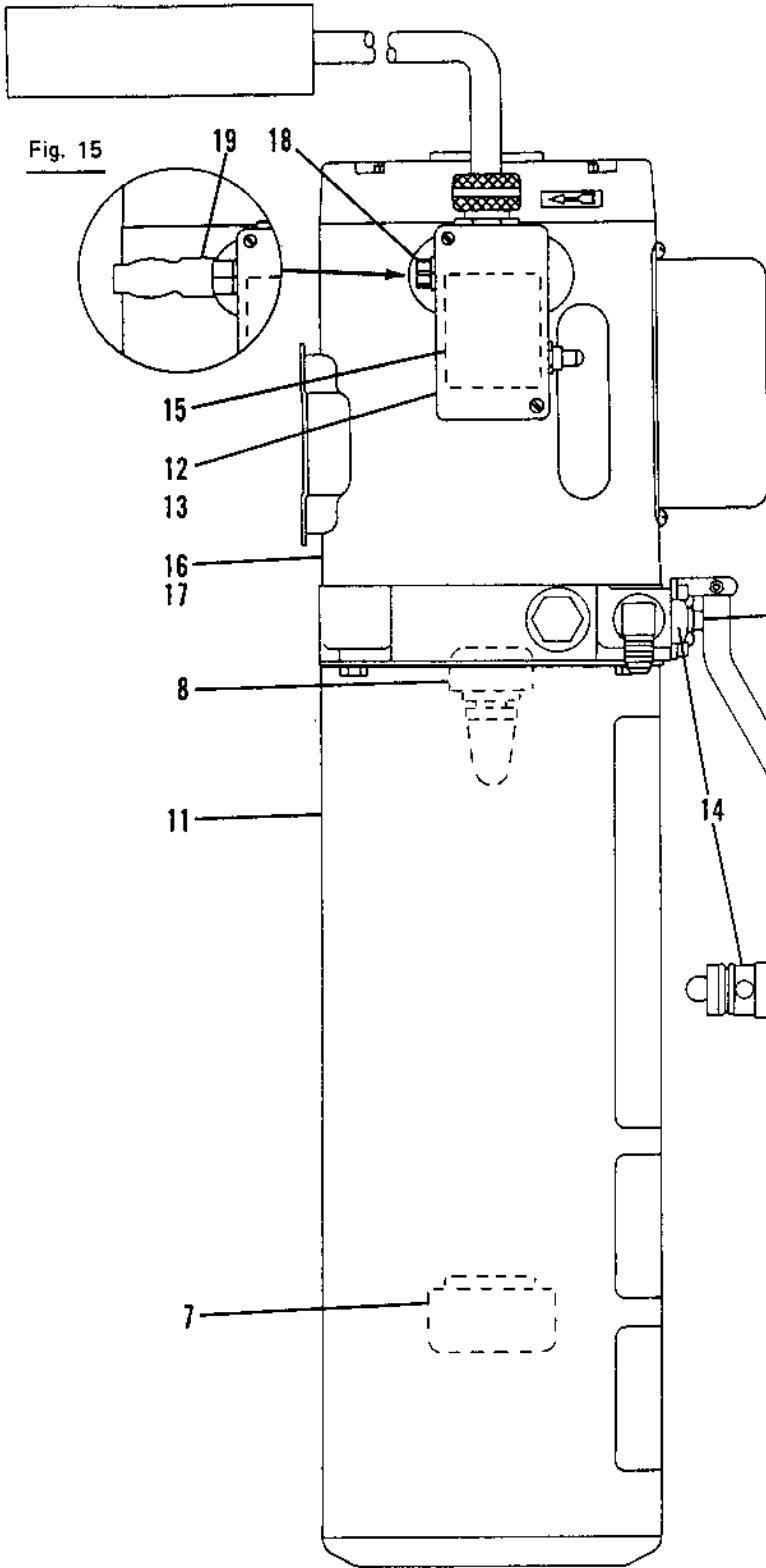
570-822-6720 800-822-6720

www.panzittasales.com

Fig. 8

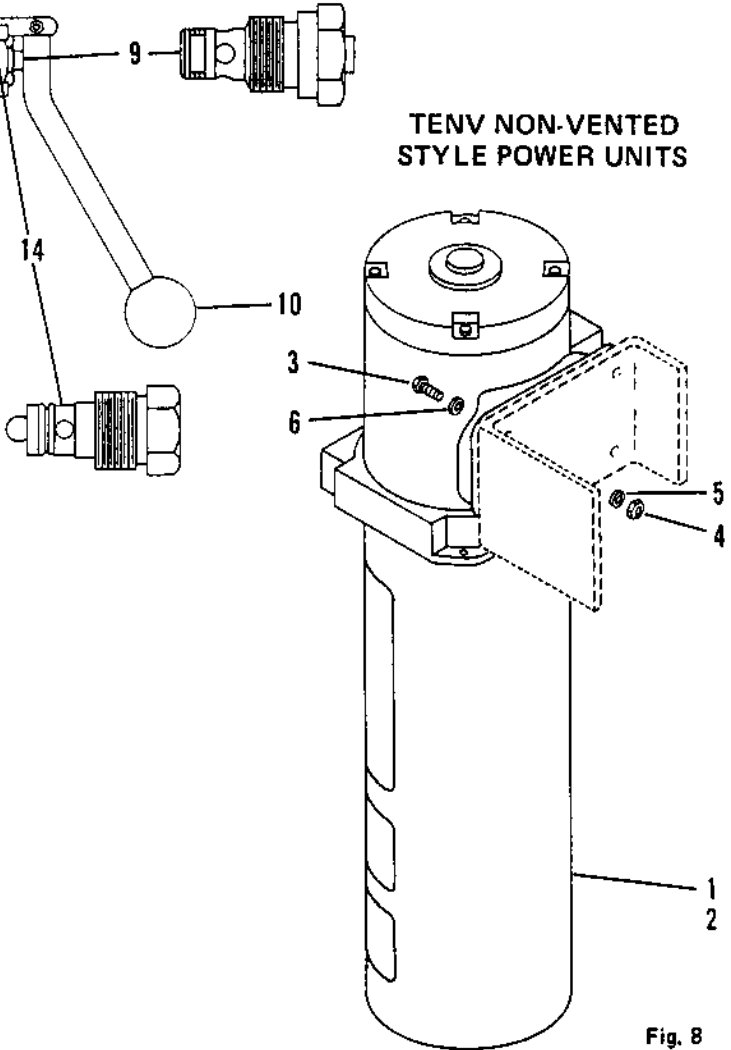
When ordering replacement parts, always mention lift model number and serial number

Item No.	No. Req.	Part No.	Description
1	1	K93270	Power Unit (208/230V., 1 PH.)
2	1	K93271	Power Unit (200/230V., 3 PH.)
3	4	R18230-140	5/16-18 x 1" Bolt
4	4	R18230-141	5/16-18 Hex Nut
5	4	R18230-142	5/16 Dia. Lock Washer
6	4	R18230-143	5/16 Dia. Flat Washer
7	1	R18230-112	Filter
8	1	R18230-103	Breather
9	1	R18230-195	Release Valve
10	1	R18230-196	Handle Kit
11	1	R18230-106	Reservoir Kit (Tank, O Ring, Fasteners)
12	1	R18230-107	3 PH. Switch
13	1	R18230-110	1 PH. Switch
14	1	R18230-108	Check Valve (Valve, Seals)
15	1	R18230-111	3 PH. Contactor
16	1	R18230-191	Motor Assem. 1 PH.
17	1	R18230-192	Motor Assem. 3 PH.
18	1	R18230-235	Connector
19	1	R18230-236	Jumper Plug



**BARNES POWER UNIT WITH FLUSH MOUNTED CONNECTOR**

**POWER UNIT**

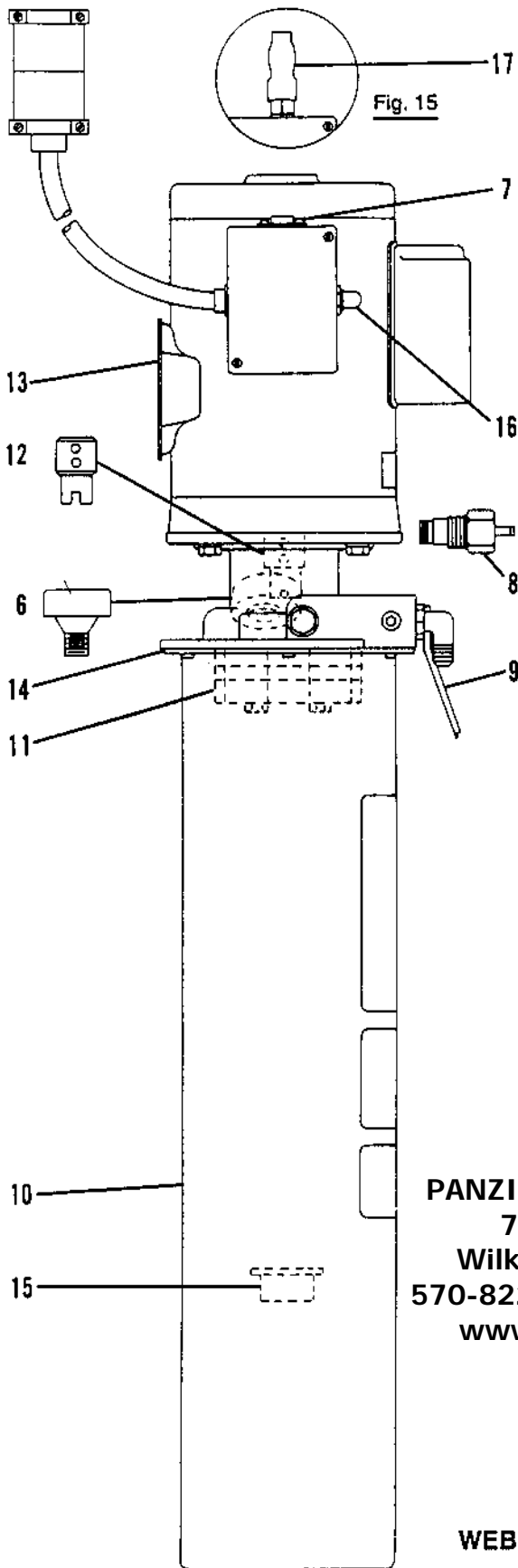


**Fig. 8**

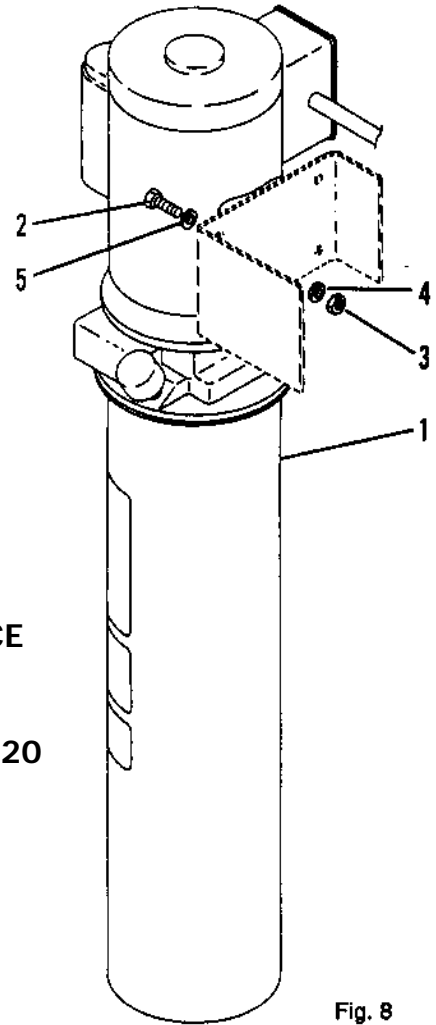
CBT-70

CBT-70.max

When ordering replacement parts, always mention lift model number and serial number.



Item No.	No. Req.	Part No.	Description
1	1	K93270	Power Unit (208/230V., 1 PH.)
2	4	R18230-140	5/16-18 x 1" Bolt
3	4	R18230-141	5/16-18 Hex Nut
4	4	R18230-142	5/16 Dia. Lock Washer
5	4	R18230-143	5/16 Dia. Flat Washer
6	1	R18230-270	Breather
7	1	R18230-235	Connector
8	1	R18230-271	Manual Valve Assm.
9	1	R18230-272	Handle Kit
10	1	R18230-273	Tank Kit
11	1	R18230-274	Pump Assm.
12	1	R18230-275	Motor Hdwe. Kit
13	1	R18230-268	Motor Assm. 1 PH.
14	1	R18230-276	Tank Gasket
15	1	R18230-277	Inlet Strainer
16	1	R18230-278	Motor Switch Kit
17	1	R18230-236	Jumper Plug



**PANZITTA SALES & SERVICE**  
 72 George Avenue  
 Wilkes-Barre, PA 18705  
 570-822-6720 800-822-6720  
 www.panzittasales.com

**WEBSTER POWER UNIT**

**Fig. 8**