

PANZITTA SALES & SERVICE
72 George Avenue
Wilkes-Barre, PA 18705
570-822-6720 800-822-6720
www.panzittasales.com

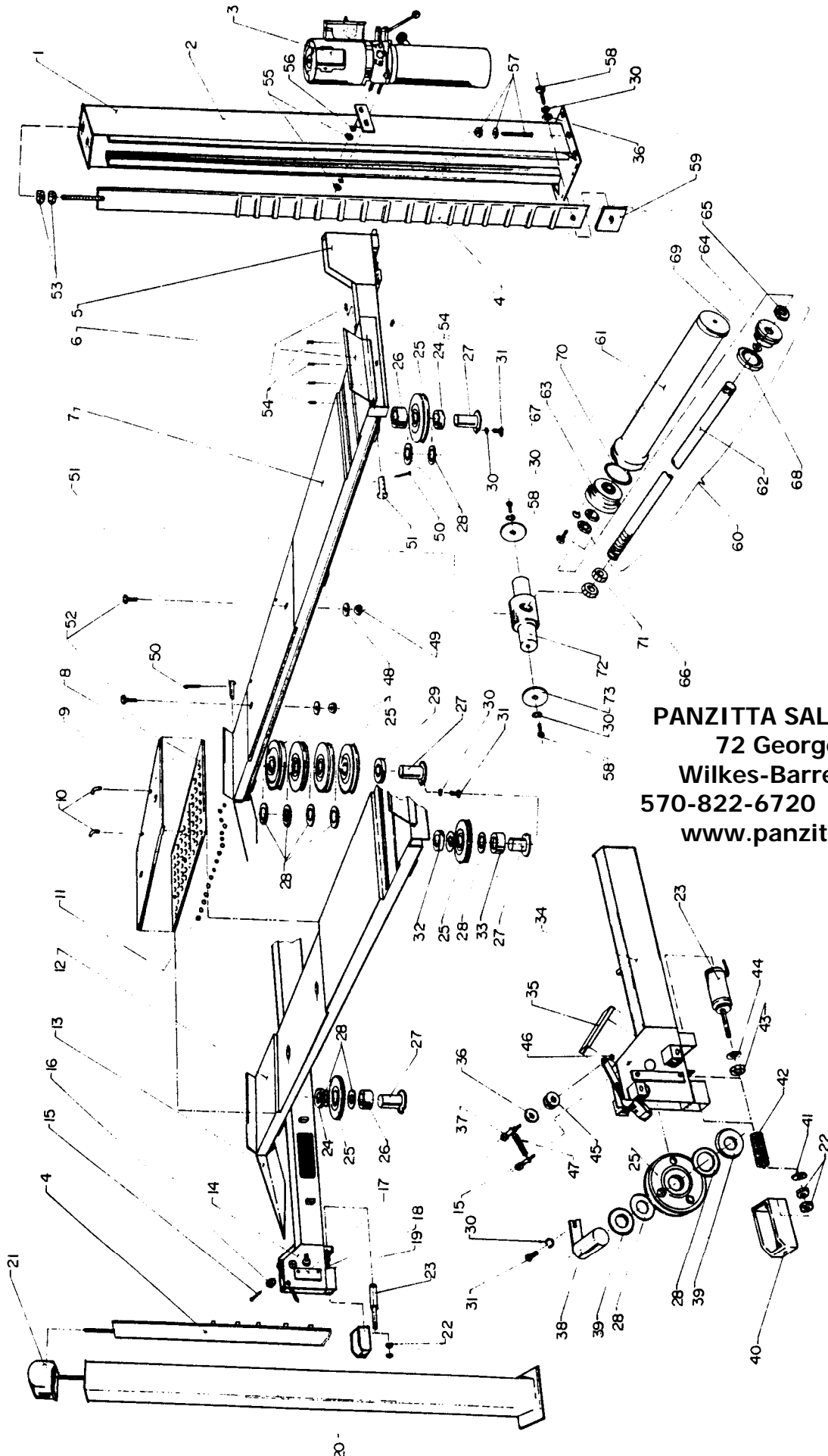
MANITOWOC LIFTS

PARTS LIST

4 POST LIFTS

OPEN END
STANDARD ALIGNMENT & FLAT TOP
AUTOMOTIVE HOIST

4 POST OPEN FRONT ALIGNMENT.max



PANZITTA SALES & SERVICE
 72 George Avenue
 Wilkes-Barre, PA 18705
 570-822-6720 800-822-6720
www.panzittasales.com

FOUR POST ALIGNMENT LIFT MODEL OE12-204
(OPEN END)

ITEM	PART #	DESCRIPTION	QTY
1	SP10-FP-070	FRONT POST-POWER	1
2	SP10-SP-070	FRONT POST-SLAVE	1
3	SP12-PP-005	HYDRAULIC UNIT (220V/1PH)	1
3	SP12-PP-004	HYDRAULIC UNIT (208V/3PH)	1
3	SP12-PP-036	HYDRAULIC UNIT (230V/3PH)	1
3	SP12-PP-037	HYDRAULIC UNIT (460V/3PH)	1
3	SP12-PP-006	HYDRAULIC UNIT (575V/3PH)	1
4	SP10-FP-091	SAFETY LADDER	4
5	SP10-PC-216	FRONT CROSSMEMBER-POWER	1
6	SP10-PR-003	FRONT WHEEL STOP-FOLD DOWN	2
7	SP12-PR-450	POWER-RUNWAY ASS'Y	1
8	SP10-PR-025	BALL RETAINER	2
9	SP10-PR-026	SLIP PLATE	2
10	SP10-PR-045	LOCKING PIN	4
11	SP12-PR-512	9/16" PLASTIC BALL-1 SET	196
11A	SP12-PR-471	9/16" STEEL BALL-1 SET	32
12	SP12-SR-474	SLAVE-RUNWAY ASS'Y	1
13	SP12-PR-300	DRIVE ON RAMP	2
14	SP12-RC-001	REAR CROSSMEMBER	1
15	SP10-PC-057	SHOULDER SCREW 3/8"DIA X 3/4"LG	8
16	SP10-PC-070	PLASTIC ROLLER	4
17	SP10-PC-056	PLASTIC BRACKET	8
18	SP10-PC-210	HEX.HD BOLT 1/4" - 20 UNC X 3/4"LG	16
19	SP10-PC-215	LOCK WASHER 1/4" I.D.	16
20	SP10-PT-091	REAR POST	2
21	SP10-FP-085	POST CAPS (OPTIONAL)	4
22	SP10-PC-207	HEX NUT 1/4" 20 UNC	8
23	SP10-PC-048	AIR CYLINDER	4
24	SP10-PC-020	PULLEY SPACER-1"	2
25	SP10-PC-017	PULLEY ASSEMBLY	11
26	SP10-PC-460	PULLEY SPACER-3"	2
27	SP10-PR-472	PULLEY PIN	4
28	SP10-PC-214	NYLON THRUST WASHER	14
29	SP10-PR-021	PULLEY SPACER-1/4"	1
30	SP10-PC-205	LOCK WASHER 3/8" I.D.	18
31	SP10-PC-204	HEX BOLT 3/8" - 16 UNC X 3/4"LG	8
32	SP10-PR-018	PULLEY SPACER-1-1/2"	1
33	SP10-PR-019	PULLEY SPACER-2-1/2"	1
34	SP10-SC-216	FRONT CROSSMEMBER SLAVE	1
35	SP10-RC-218	PULLEY COVER (OPTIONAL)	4
36	SP10-PC-220	FLAT WASHER 3/8" I.D. X 1" O.D.	10
37	SP10-PC-044	SHOULDER SCREW 3/8" DIA X 1-1/2"LG	4
38	SP10-PC-006	PULLY PIN-CROSSMEMBER	4
39	SP10-PC-022	WASHER (CNC)	8
40	SP10-PC-055	SAFETY SHOE	4
41	SP10-PC-051	FLAT WASHER 1/4" I.D. X 3/4" O.D.	4
42	SP10-PC-053	COMPRESSION SPRING	4
43	SP10-RC-050	HEX NUT 5/8" - 18 UNF	4
44	SP10-RC-049	INTERNAL TOOTH LOCK WASHER 5/8" I.D.	4
45	SP10-PC-212	CABLE ROLLER	4

PANZITTA SALES & SERVICE
 72 George Avenue
 Wilkes-Barre, PA 18705
 570-822-6720 800-822-6720
 www.panzittasales.com

FOUR POST ALIGNMENT LIFT MODEL OE12-204
(OPEN END)

ITEM	PART #	DESCRIPTION	QTY
46	SP10-RC-045	HEX NUT 5/16" - 18 UNC	4
47	SP10-PC-042	TENSION SPRING	4
48	SP10-PR-014	WASHER SPECIAL	4
49	SP10-PR-031	HEX LOCK NUT 1/2" - 13 UNC	4
50	SP10-PR-024	COTTER PIN 1/8" DIA. X 1-1/2" LG	4
51	SP12-PR-023	CLEVIS PIN	4
52	SP10-PR-027	HEX BOLT 1/2" - 13 UNC X 2" LG	4
53	SP12-FP-052	HEX NUT	8
54	SP10-PR-029	FLAT POINT SET SCREW 1/2" - 13 UNC X 3/	4
55	SP10-PP-038	1/2" - 13 UNC HEX NUT	2
56	SP10-PP-039	LOCK WASHER 1/2" I.D.	2
57	SP10-FP-077	LAG BOLT 3/4" X 5-1/2" LG	22
58	SP10-FP-035	HEX BOLT 3/8" - 16 UNC X 1" LG GR.# 8	12
59	SP10-FP-100	LADDER SPACER	2
60	SP12-PR-037	MAIN CYLINDER	1
61	SP12-PR-513	TUBE ASSEMBLY	1
62	SP12-PR-514	PISTON ROD	1
63	SP12-PR-515	GLAND	1
64	SP12-PR-516	PISTON	1
65	SP12-PR-517	LOCK NUT	1
66	SP12-PR-529	ROD WIPER	1
67	SP12-PR-530	ROD SEAL	1
68	SP12-PR-526	PISTON SEAL	1
69	SP12-PR-518	PISTON "O" RING	1
70	SP12-PR-531	GLAND "O" RING	1
71	SP10-PR-459	HEX NUT 1" - 14 UNF GR # 8	2
72	SP10-PR-038	TRUNNION	1
73	SP10-PR-014	TRUNNION WASHER	2

4 POST OPEN FRONT ALIGNMENT.max

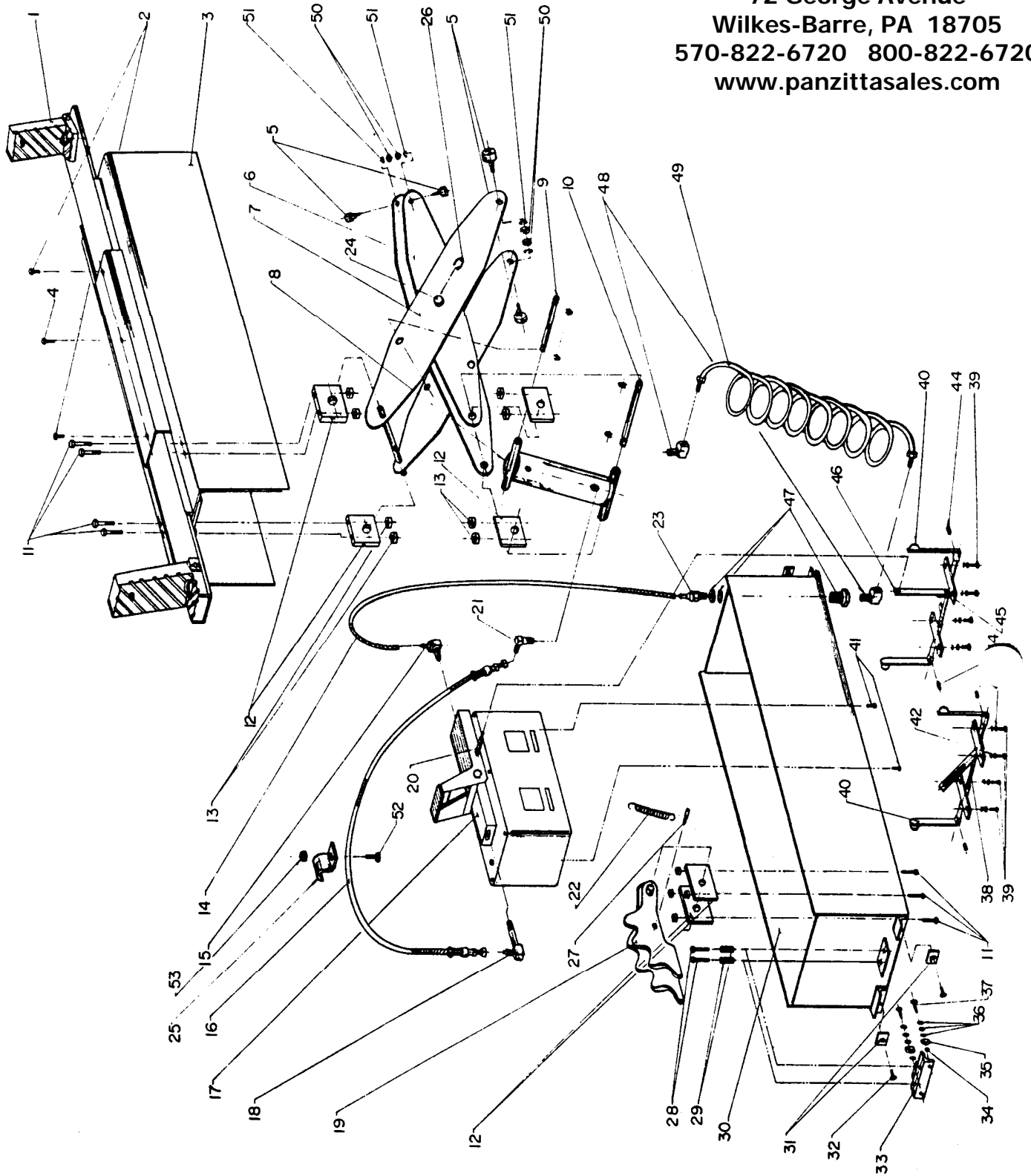
PANZITTA SALES & SERVICE

72 George Avenue

Wilkes-Barre, PA 18705

570-822-6720 800-822-6720

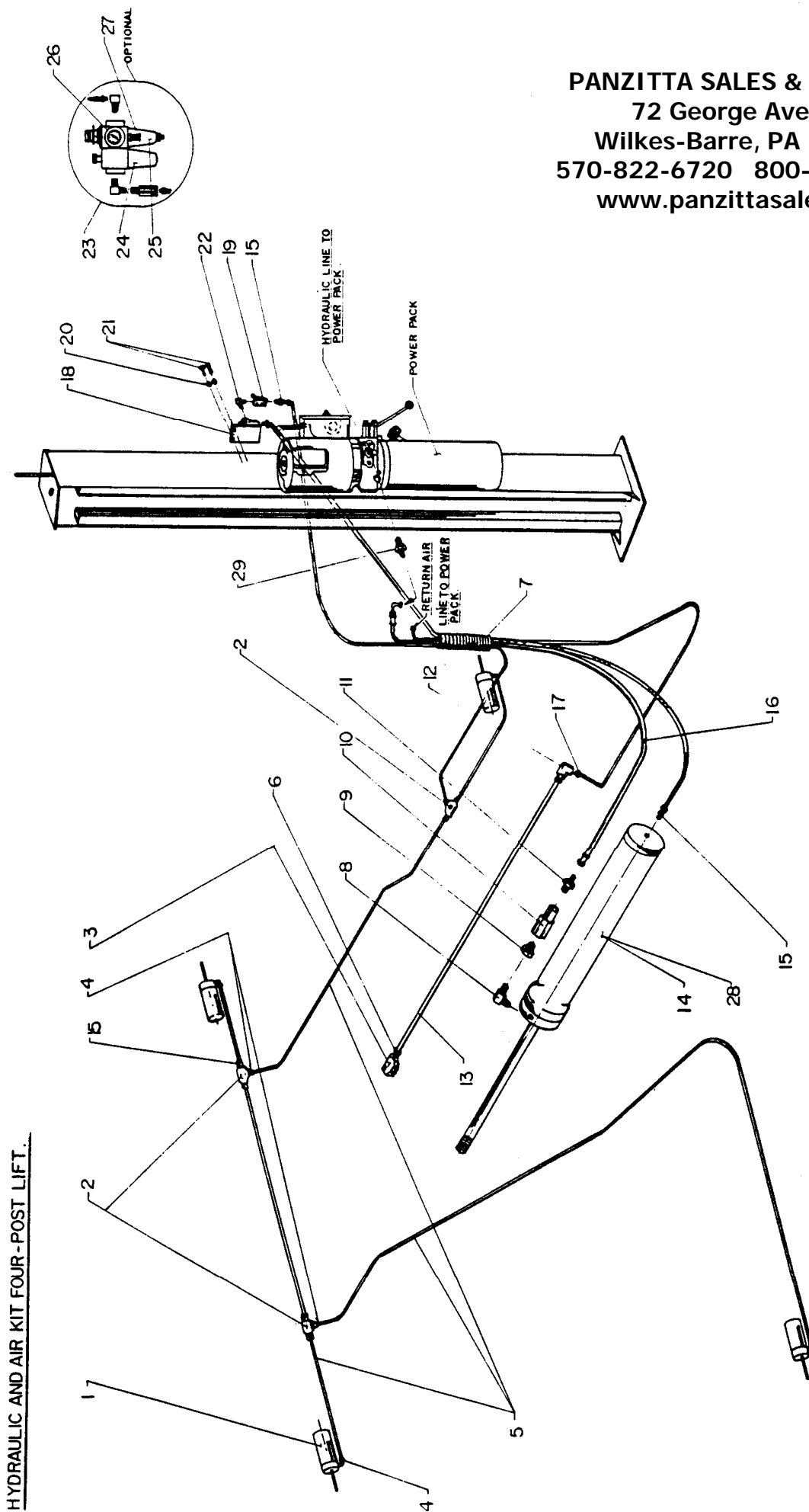
www.panzittasales.com



4 POST OPEN FRONT ALIGNMENT.max

ACANUS PART #	DESCRIPTION	QTY
1	SP10-JB-100 JACK PAD ASSEMBLY	2
2	SP10-JB-001 HEX. HD. BOLT 1/4" - 20 UNC-1/2" LG	2
3	SP10-JB-200 JACK BOX TOP ASSEMBLY	1
4	SP10-JB-002 HEX. HD. BOLT 1/4" - 20 UNC-5/8" LG	1
5	SP10-JB-003 CAM FOLLOWER BEARING CF-1-1/2" DIA.	4
6	SP10-JB-300 SCISSOR - INNER ASSEMBLY	1
7	SP10-JB-400 SCISSOR - OUTER ASSEMBLY	1
8	SP12-JB-001 HYDRAULIC CYLINDER	1
9	SP12-JB-002 UPPER CYLINDER SHAFT	1
10	SP12-JB-003 LOWER CYLINDER SHAFT	1
11	SP10-JB-007 HEX. HD. BOLT 5/16" - 18 UNC-2-3/4" LG.	12
12	SP10-JB-008 PILLOW BLOCK	6
13	SP10-JB-009 HEX. HD. LOCK NUT 5/16" - 18 UNC	12
14	SP10-JB-010 PUMP AIR HOSE 9" LG.	1
15	SP10-JB-011 HOSE TO PUMP ELBOW FITTING	1
16	SP10-JB-012 HYDRAULIC HOSE	1
17	SP10-JB-013 OTC PUMP	1
18	SP10-JB-015 1/4" NPT. MALE TO 1/4" JIC MALE EXT 90 DEG.	1
19	SP10-JB-016 SAFETY	1
20	SP10-PC-044 SHOULDER SCREW 3/8" DIA X 1-1/4" LG	1
21	SP10-JB-017 3/8" NPT MALE TO 1/4" JIC 90 DEG ELBOW	1
22	SP10-JB-018 TENSION SPRING	1
23	SP10-JB-021 1/4" NPT MALE TO 5/16" I.D. AIR	1
24	SP10-JB-023 CENTRE SHAFT	1
25	SP10-JB-042 HOSE MOUNT CLIP	1
26	SP10-JB-043 RETAINING RING	8
27	SP10-JB-024 SAFETY SHOULDER SCREW	1
28	SP10-JB-025 HEX. HD. BOLT 5/16" - 18 UNC - 2-1/4" LG.	4
29	SP10-JB-026 WHEEL MOUNT SPRING	4
30	SP10-JB-500 JACK BOX BOTTOM ASSEMBLY	1
31	SP10-JB-027 PLASTIC BRACKET	4
32	SP10-JB-028 FLAT HD. SCREW 1/4" - 20 UNC - 1/4" LG.	4
33	SP10-JB-600 WHEEL BRACKET ASSEMBLY	2
34	SP10-PC-051 FLAT WASHER 1/4" I.D. X 3/4" O.D.	4
35	SP10-JB-029 WHEEL BEARING	4
36	SP10-PC-200 FLAT WASHER 3/8" I.D. X 1" O.D.	12
37	SP10-PC-057 SHOULDER SCREW 3/8" DIA. X 3/4" LG.	4
38	SP10-JB-700 SAFETY HANDLE SHAFT ASSEMBLY	1
39	SP10-JB-030 HEX. HD. BOLT 1/4" - 20 UNC - 5/8" LG.	8
40	SP10-JB-031 HANDLE	4
41	SP10-JB-032 HEX. HD. SCREW SELF TAPING 1/4" - 20 UNC - 3/4" LG	2
42	SP10-JB-033 LOCK WASHER 1/4" I.D.	8
43	SP10-JB-034 FLAT WASHER 1/4" I.D.	8
44	SP12-JB-004 ROLL PIN 1/8" DIA. X 1" LG.	4
45	SP10-JB-036 HANDLE MOUNT BRACKET	4
46	SP10-JB-800 PUMP HANDLE SHAFT ASSEMBLY	1
47	SP10-JB-037 BULKHEAD FITTING	1
48	SP10-JB-038 1/4" NPT MALE TO 1/4" NPT FEMALE, 90 DEG ELBOW	2
49	SP10-JB-039 SELF-STORING AIR HOSE	1
50	SP10-JB-040 HEX. NUT 5/8" - 18 UNF	4
51	SP10-JB-041 LOCK WASHER 5/8" I.D.	4
52	SP10-PC-210 HEX. HD. BOLT 1/4" - 20 UNC X 3/4" LG.	1
53	SP10-PC-207 HEX. NUT 1/4" - 20 UNC	1

PANZITTA SALES & SERVICE
 72 George Avenue
 Wilkes-Barre, PA 18705
 570-822-6720 800-822-6720
 www.panzittasales.com



HYDRAULIC AND AIR KIT FOUR-POST LIFT.

PANZITTA SALES & SERVICE
 72 George Avenue
 Wilkes-Barre, PA 18705
 570-822-6720 800-822-6720
 www.panzittasales.com

**HYDRAULIC AND AIR KIT FOR MODEL FT-168, SA-168, BM-168
 SA-204, FT-204 FOUR-POST LIFT**

SYM.	PART No	PART NAME:	QTY.
1	SP10-PC-048	AIR CYLINDER	4
2	SP10-RC-219	TEE 1/4" (POLY TUBE)	3
3	SP10-PR-473	1/4" NPT 90 DEG ELBOW	1
4	SP10-RC-220	90 DEG ELBOW 1/8" NPT TO 1/4" POLY TUBE	7
5	SP10-PR-474	1/4" DIA. POLY TUBE-60FT	60FT
6	SP10-PR-475	1/4" NPT MALE TO 3/8" POLY TUBE	3
7	SP10-PP-013	HOSE GUARD	6FT
8	SP10-PR-476	1/4" NPT 90 DEG ELBOW MALE	1
9	SP10-PR-477	3/8" NPT MALE TO 1/4" NPT FEMALE	1
10	SP10-PR-039	FLOW CONTROL	1
11	SP10-PR-478	3/8" NPT MALE TO 1/4" JIC MALE	1
12	SP10-PR-479	1/4" NPT FEMALE TEE	1
13	SP10-PR-480	3/8" DIA. POLY TUBE-15FT	15FT
14	SP10-PR-037	MAIN CYLINDER	1
15	SP10-PC-221	1/8" NPT MALE 1/4" POLY TUBE	8
16	SP10-PP-040	HYDRAULIC LINE (RUBBER 162"LG.)	1
17	SP10-PR-481	1/4" NPT MALE TO 3/8" POLY TUBE	1
18	SP10-PT-462	TEE 1/4" FEMALE C/W BRACKET	1
19	SP10-PP-024	AIR VALVE	1
20	SP10-PC-215	LOCK WASHER 1/4" I.D.	2
21	SP10-PP-041	HEX. HD. BOLT 1/4" - 20 UNC X 1/2" LG	2
22	SP10-PP-042	90 DEG ELBOW 1/4" NPT TO 1/8" NPT	1
23	SP10-PP-025	LUB & FILTER REGULATOR COM	1
24	SP10-PP-026	BOWL SHELL	1
25	SP10-PP-027	BOWL SHELL WITH DRAIN	1
26	SP10-PP-028	AIR PRESSURE GAUGE	1
27	SP10-PP-029	FILTER ELEMENT	1
28	SP12-PR-037	HYDRAULIC CYLINDER	1
29	SP10-PP-043	9/16" - 18 MALE TO 1/4" JIC MALE CONNECTOR	1

4 POST OPEN FRONT ALIGNMENT.max