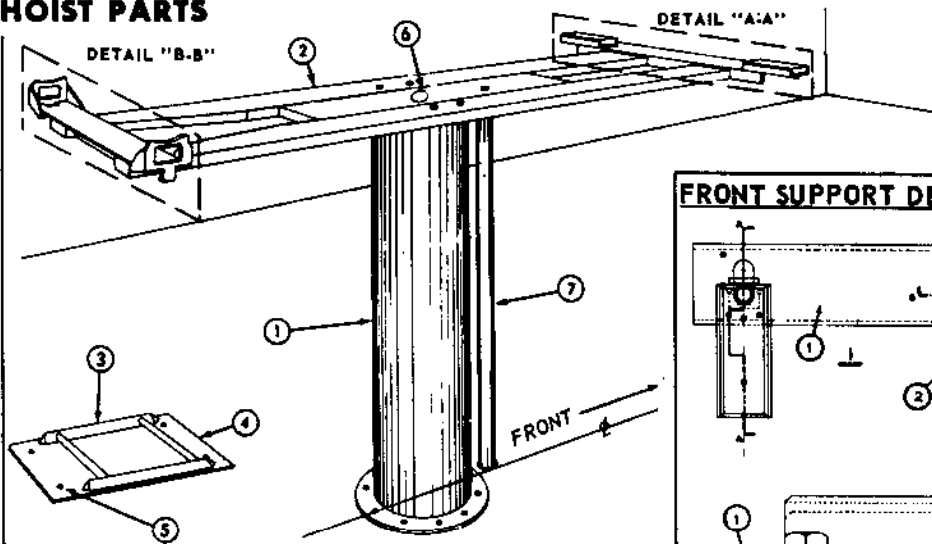
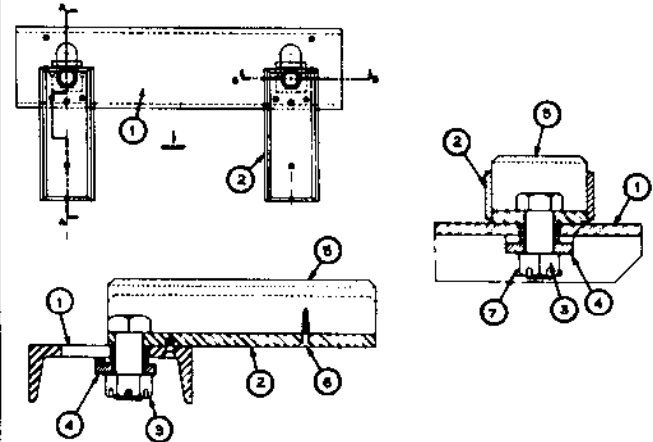


**V-10**

**HOIST PARTS**



**FRONT SUPPORT DETAIL "A-A"**



**PARTS LIST**

Ref. Quan. Part No. Description

**V-10-AS SEMI-HYDRAULIC**

- 1 (1) C-38700 Cyl. Assy. 67-1/2" Stroke
- (1) B-38701 Cylinder Casing Only
- (1) B-38702 Plunger Assembly Only

**V-10-BS FULL HYDRAULIC**

- 1 (1) C-35574-1 Cyl. Assy. 67-1/2" Stroke
- (1) B-35573-1 Cylinder Casing Only
- (1) B-35570 Plunger Assembly Only

**V-10-ASL SEMI-HYDRAULIC W/LOC**

- 1 (1) C-38700-4 Cyl. Assy. 67-1/2" Stroke
- (1) B-38701 Cylinder Casing Only
- (1) B-38702 Plunger Assembly Only

**CONTROLS**

**V-10-AS**

- (1) 571x4D 1/2" Air Control Valve
- (1) A-30080 Air Exhaust Muffler

**V-10-BS**

- (1) 571x4C 1/2" Air Control Valve
- (1) 581x10 1-1/4" Oil Control Valve
- (1) A-30080 Air Exhaust Muffler
- (1) AC-30429 16" x 48" Oil Tank
- (1) B-37905-5 Oil Fill Pipe
- (1) B-37904-3 Oil Gauge Stick

**SUPERSTRUCTURES**

- 2 (1) D-41311 For V-10-BS
- 2 (1) D-41311-3 For V-10-AS

**COMMON PARTS**

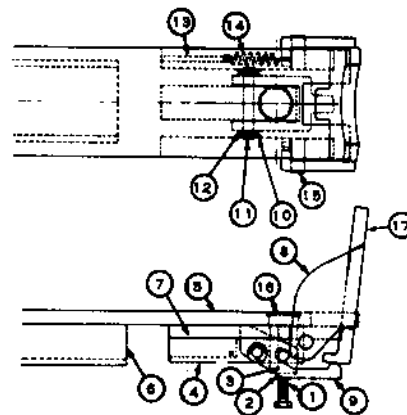
- 3 (1) B-41322 Wheel Stop
- 4 (1) B-41355 Plate-Wheel Stop
- 5 (4) A-40690 Rawl Drive Plugs
- 6 (1) A-41571 Access Plug Cover (V-10-AS & V-10-ASL)

**NON-ROTATOR**

- 7 (1) B-39094-7 Plunger (Pin Type)
- (1) B-35618-1 Casing Only
- (1) B-33243-7 Locking Bar 3/4" x 10"

REF.	PART NO.	QUAN.	MATERIAL
1	B41320	1	END CHANNEL - STD
2	B41319	2	LIFT PAD CHANNEL ASSY.
3	275X10	2	SLOTTED NUT
4	A41323	2	PIVOT ASSY.
5	A41321	2	LIFT PAD
6	480XM12	4	WOOD SCREW
7	360XE16	2	COTTER PIN

**REAR SUPPORT DETAIL "B-B"**



REF.	PART NO.	QUAN.	MATERIAL
1	442XC12-A	2	3/8-16NC x 1-1/2 Lg. 5AE 5
2	278X3	2	JAM NUT 3/8-16NC
3	A32668	2	PLUNGER ASSY.
4	A41306	2	BEARING
5	B41304	1	REAR JACK SUPPORT
6	B41177-10	1	3" CHANNEL
7	A41309	4	REINFORCING
8	B41348	1	JACK HINGED R.H.
9	B32669	2	FINGER
10	360XB8	4	COTTER PIN 3/32 x 1" Lg.
11	B30237-6	2	PIN
12	642X8	4	WASHER 3/8 PLAIN
13	A41307	2	SPRING EYE
14	A32034	2	SPRING
15	B41081-19	4	PIN
16	368X2	2	PLUG
17	B41349	1	JACK, HINGED L.H.