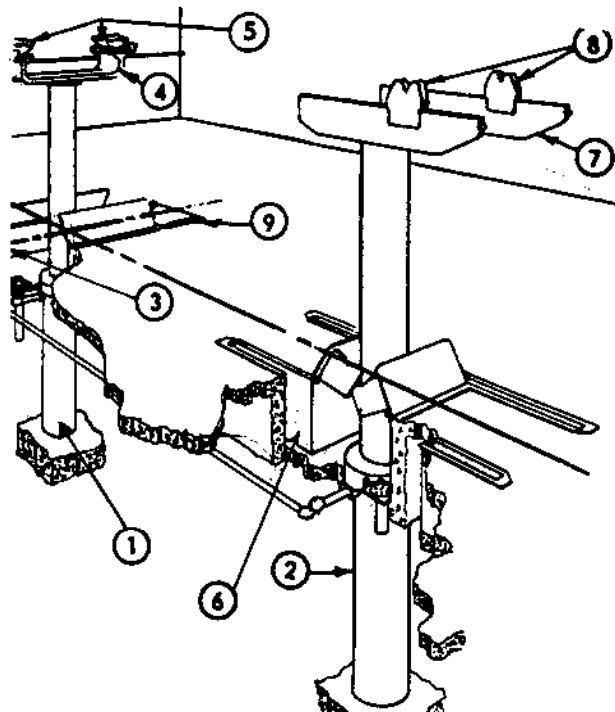


**SR-78, 88 & 818  
 HOIST PARTS**



NOTE: For cylinder detail and packing information see page 17

**SR-88-PARTS LIST**

Ref.	Quan.	Part No.	Description
1&2	(2)	C-37439	8-1/2" Cyl. Assy. 72" Stroke
	(2)	B-37443	Cylinder Casing Only
	(2)	B-37442	Plunger Assembly Only
3	(1)	B-40673	Front Pitform (40-3/8" Doors)
	(2)	B-40670 or B-40674	Door & Angle Assembly Front Pitform (48" Doors)
	(2)	B-40671	Door & Angle Assembly
4	(1)	B-40709	Front Superstructure
	(6)	430xH32	Hex Hd. Cap Scr. 3/4"-10NC x 4"
5	(2)	B-40050	Front Bowl Jacks
6	(1)	B-37339	Rear Pitform Assembly
	(2)	B-32415	Door & Angle Assembly
7	(1)	B-33403	Rear Superstructure
	(6)	438xH20	Soc Hd. Cap Scr. 3/4"-10NC x 2-1/2"
8	(1)	B-40097	Rear Roller Jacks
	(2)	B-25314	Rear Jack Inserts
9	(1)	CL-326910	Wheel Stop
	(4)	B-40690	Rawl Drive 5/16" x 1-1/2"
	(1)	B-37229	Jack Hook
	(1)	A-34837-3	Wrench

**SR-78 PARTS LIST**

Ref.	Quan.	Part No.	Description
1	(1)	C-37448	7-1/2" Cyl. Ass. 70" Stroke
	(1)	B-37443	Cylinder Casing Only
	(1)	B-37452	Plunger Assembly Only
2	(1)	C-37439	8-1/2" Cyl. Assy. 72" Stroke
	(1)	B-37443	Cylinder Casing Only
	(1)	B-37442	Plunger Assembly Only
3	(1)	B-40673	Front Pitform (40-3/8" Doors)
	(2)	B-40670 or B-40674	Door & Angle Assembly Front Pitform (48" Doors)
	(2)	B-40671	Door & Angle Assembly
4	(1)	B-40685	Front Superstructure
	(6)	430xG32	Hex Hd. Cap Scr 5/8"-11NC x 4"
5	(2)	B-40050	Front Bowl Jacks
6	(1)	B-37339	Rear Pitform Assembly
	(2)	B-32415	Door & Angle Assembly
7	(1)	B-33403	Rear Superstructure
	(6)	438xH20	Soc. Hd. Cap Scr. 3/4"-10NC x 2-1/2"
8	(2)	B-40097	Rear Roller Jacks
	(2)	B-25314	Rear Jack Inserts
9	(1)	CL-326910	Wheel Stop
	(4)	B-40690	Rawl Drive 5/16" x 1-1/2"
	(1)	B-37229	Jack Hook
	(1)	A-34837-3	Wrench

**SR-810 PARTS LIST**

Ref.	Quan.	Part No.	Description
1	(1)	C-37439	8-1/2" Cyl. Assy. 72" Stroke
	(1)	B-37443	Cylinder Casing Only
	(1)	B-37442	Plunger Assembly Only
2	(1)	C-35574	10-5/8" Cyl. Assy. 74-1/2" Stroke
	(1)	B-35573	Cylinder Casing Only
	(1)	B-35570-3	Plunger Assembly Only
3	(1)	B-40673	Front Pitform (40-3/8.. Doors)
	(2)	B-40670 or B-40674	Door & Angle Assembly Front Pitform (48" Doors)
	(2)	B-40671	Door & Angle Assembly
4	(1)	B-40709	Front Superstructure
	(6)	430xH32	Hex Hd. Cap Scr. 3/4"-10NC x 4"
5	(2)	B-40050	Front Bowl Jacks
6	(1)	B-37347	Rear Pitform Assembly
	(2)	B-32415-1	Door & Angle Assembly
7	(1)	B-40707	Rear Superstructure
	(6)	430x120	Soc Hd. Cap Scr. 7/8"-9NC x 2-1/2"
8	(2)	B-40092	Rear Roller Jacks
9	(2)	CL-326910	Wheel Stop
	(8)	B-40690	Rawl Drive 5/16" x 1-1/2"
	(1)	B-37229	Jack Hook
	(1)	A-34837-2	Wrench