

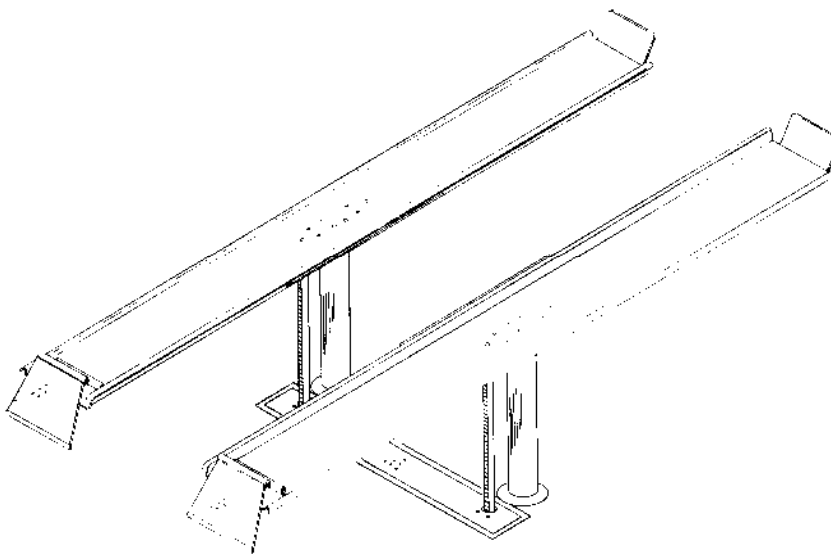
PANZITTA SALES & SERVICE
72 George Avenue
Wilkes-Barre, PA 18705
570-822-6720 800-822-6720
www.panzittasales.com

SERVICE MANUAL AND PARTS LIST

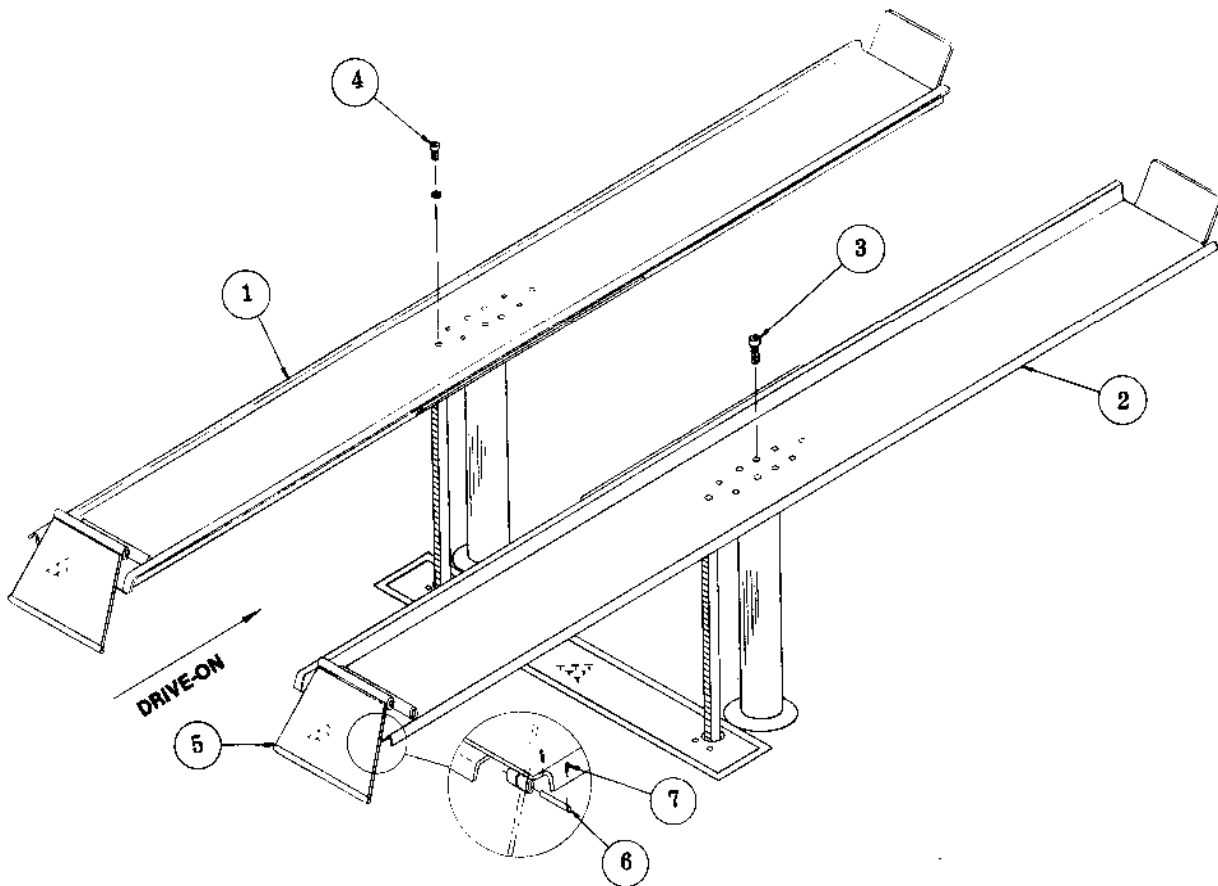
THIS LIFT IS DESIGNED FOR
PASSENGER CARS, LIGHT
TRUCKS & VANS WITHIN RATED
CAPACITY (8,000 LB.).
LOAD TO BE EVENLY
DISTRIBUTED OVER CENTER OF
CYLINDERS

**ROLL-ON
TWO POST LIFT**
WITH AUTOMATIC LOCK
57½" CENTERS

ROWP-28
SPEC 3847

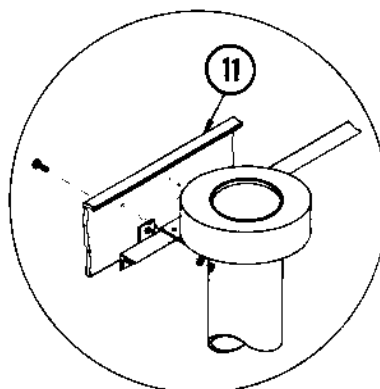
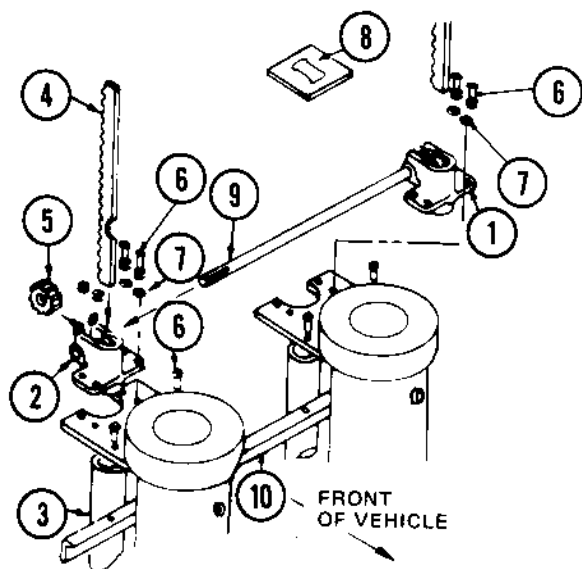


SUPERSTRUCTURE ASSEMBLY



PANZITTA SALES & SERVICE
 72 George Avenue
 Wilkes-Barre, PA 18705
 570-822-6720 800-822-6720
www.panzittasales.com

ITEM	QUAN	PART NO.	DESCRIPTION
1	1	C43637-1	Runway - L. H.
2	1	C43636-1	Runway - R. H.
3	8	438xH24	Screw - Soc. Hd. Cap 3/4-10x3
4	2	426xG-N14	Screw - Soc. Hd. Cap 5/8-11x1-3/4"
5	2	B41704	Ramps
6	4	A41702	Hinge Pin
7	8	360xC10	Cotter Pin



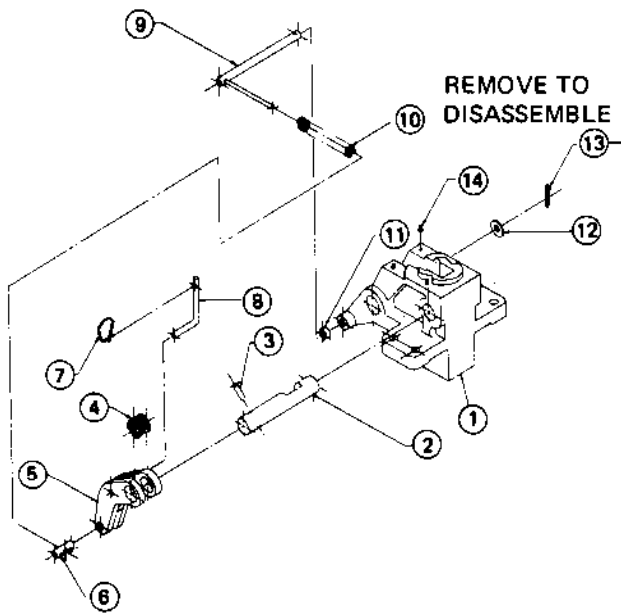
ATTACH PITFORM TO
STABILIZER ANGLE
BRACKET AT BOTH
ENDS WITH HEX BOLTS
BEFORE BACKFILLING.

ITEM	PART NO.	QUAN.	DESCRIPTION
1	C42854	1	Stabilizer Bearing and Auto Lock Ass'y. - L.H.
2	C42840	1	Stabilizer Bearing and Auto Lock Ass'y. - R.H.
3	B42969	2	Stabilizer Housing
4	B42850-2	2	Stabilizer Rack
5	B39999	2	Stabilizer Gear Ass'y.
6	430xE16	12	Hex Hd. Cap Screw 1/2" - 13 x 2"
7	639x10	8	Lockwasher 1/2"
8	A42853	2	Neoprene Rack Washer
Not Shown	A41571	2	Cover (Install in Bottom of Item 3)
	A43078	2	Rack Casing Retainer (Bottom) Attach with Hardware Provided
9	B42851-2	1	Stabilizer Shaft
10	B43409-2	1	Spacer Angle
11	B42884-2	1	Pitform & Cover
Not Shown	B42873-2	1	Spacer Channel (Bottom)

PANZITTA SALES & SERVICE
 72 George Avenue
 Wilkes-Barre, PA 18705
 570-822-6720 800-822-6720
 www.panzittasales.com

STABILIZER BEARING AND AUTO-LOCK ASSEMBLY

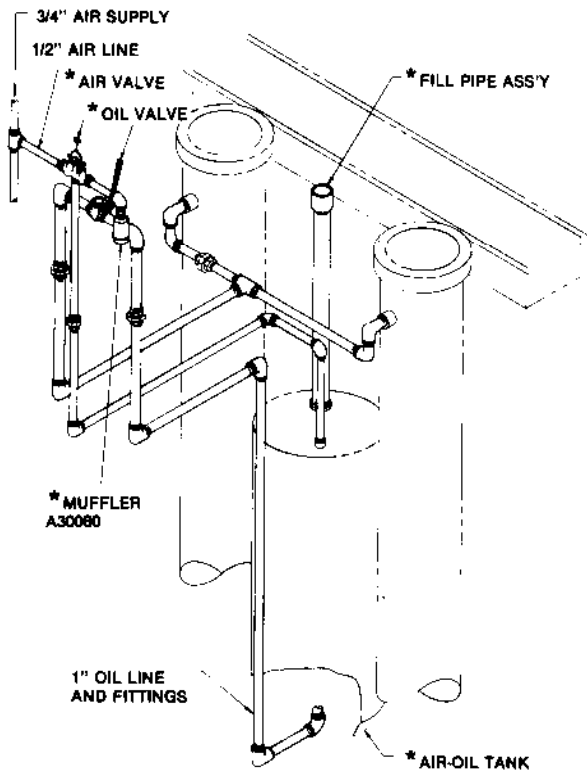
REF. NO.	PART NO.	QUANT'Y.	DESCRIPTION
----------	----------	----------	-------------



1	D42836	1	Stabilizer Bearing
2	A42838	1	Locking Shaft
3	916015	1	Groov-Pin T/4 1/4" x 1"
4	A42847	1	Torsion Spring
5	C42837	1	Lever
6	A42845	1	Pin
7	A42844	1	Lifting Ring
8	A42843	1	Push Rod
9	A42839	1	Spring Arm Ass'y
10	A42846	1	Compression Spring
11	B41228-12	1	Spacer
12	642X10	1	Washer
13	360XC8	1	Cotter Pin 1/8" x 1"
14	091X14	4	Grease Fitting-1/4"

R.H. Assembly Shown
(Part Numbers Common To Both L.H. & R.H.)

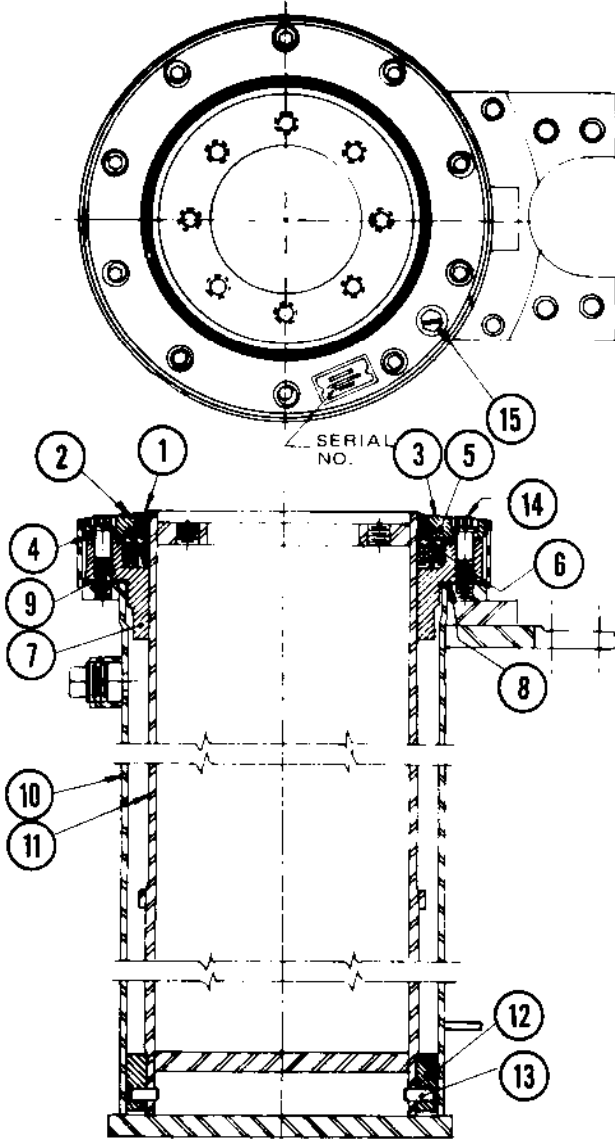
PIPING DIAGRAM



* SUPPLIED BY LIFT MANUFACTURER

PANZITTA SALES & SERVICE
72 George Avenue
Wilkes-Barre, PA 18705
570-822-6720 800-822-6720
www.panzittasales.com

**8-1/2" BS CYLINDER ASSEMBLY — FULL HYDRAULIC
TYPE "WA" CYLINDER (60-1/2" STROKE)**



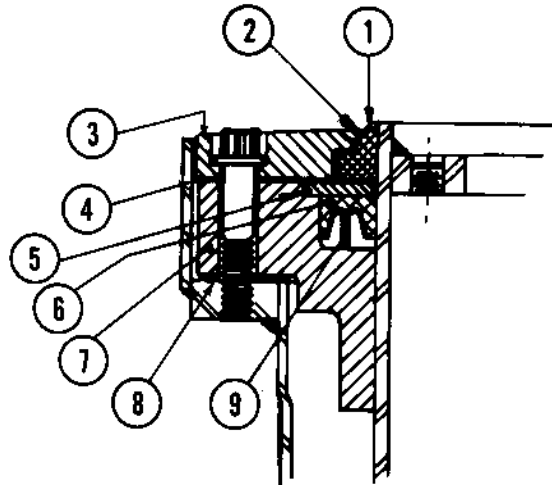
REF. NO.	PART NO.	QUANT'Y.	DESCRIPTION
----------	----------	----------	-------------

	C42977-3	1	BS Cylinder Ass'y. Complete
1	335x8	1	Wiper Packing
2	549x8	1	Wiper Spring
3	B-37440	1	Wiper Seal Cover
4	B37444	1	Wiper Seal Gasket
5	B-37447	1	Holder Ring
6	323x8	1	"U" Packing
7	B-37441	1	Upper Guide Bearing
8	B-37446	1	Flange Gasket
9	B-37457	1	Packing Spring
10	B-42976-1	2	Casing Assembly
11	B-37442-17	1	Plunger Assembly
12	B-41584	1	Lower Bearing
13	359xM1250	2	Spring Pin
14	438xG22	12	5/8-11x2-3/4 Cap Screw
15	B-37353	1	Bleeder Plug

NOTE:

Items 1, 2, 4, 6, 8 & 9 are supplied in kit #UW-81.

CYLINDER SERIAL NO.
8-156



PANZITTA SALES & SERVICE
72 George Avenue
Wilkes-Barre, PA 18705
570-822-6720 800-822-6720
www.panzittasales.com

AIR VALVE PARTS

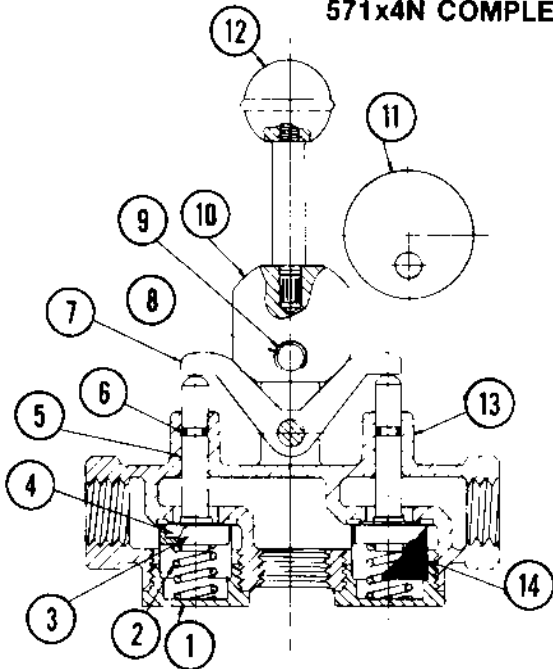
Should the air control valve leak, it may be due to a scored valve disc or seat. This is caused by grit, sand or pipe cuttings lodged on valve seat and forced into composition disc when the valve is closed. Valve can be repaired without removing it from the pipe line. Unscrew

bottoms of lever valves, clean screen seat and disc. If seat is scored, grind out score.

Leakage may occur around valve stem. To correct, lubricate stem and tighten down on packing nut.

571x4L COMPLETE VALVE ASSEMBLY (LOCKING)

571x4N COMPLETE VALVE ASSEMBLY (NON-LOCKING)



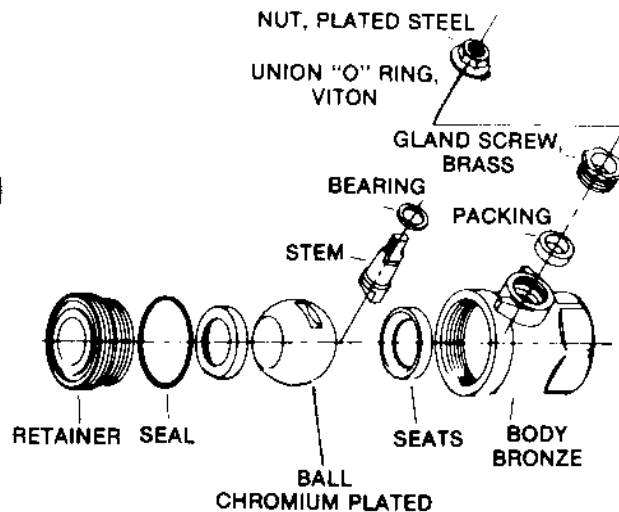
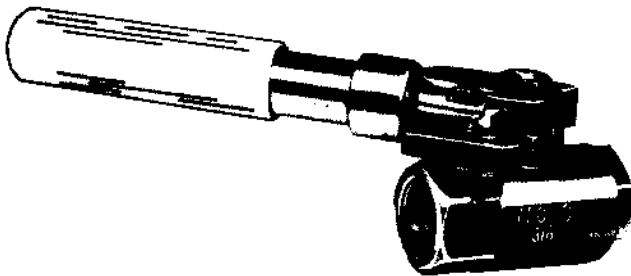
Ref. No.	Quan.	Part No.	Description
1	2	B43414-1	Cap
2	2	B43414-2	Spring
*3	2	B43414-3	Seat Holder
*4	2	B43414-4	Seat Disc
*5	2	B43414-5	Stem
*6	2	B43414-6	"O" Ring
7	1	B43414-7	Rocker
8	2	B43414-8	Clevis Pin
9	4	B43414-9	Retaining Ring
10	1	B43414-10	Cam Ass'y (Lock)
11	1	B43414-11	Cam Ass'y (Non-Lock)
12	1	B43414-12	Knob
13	1	B43414-13	Body
14	2	B43414-14	Screen
15	1	B43414-15	Tag

*These items included in:
B43414-16 Replacement Stem Ass'y

OIL VALVE PARTS

601x8 - 1" BALL VALVE - UNION END - COMPLETE VALVE ASSEMBLY

603x8 - 1" BALL VALVE - SPRING RETURN - COMPLETE VALVE ASSEMBLY—(WALL CONTROL USAGE)



PANZITTA SALES & SERVICE
72 George Avenue
Wilkes-Barre, PA 18705
570-822-6720 800-822-6720
www.panzittasales.com

A43780 - SERVICE KIT
CONTAINS:
SEAT (2), PACKING & BEARING