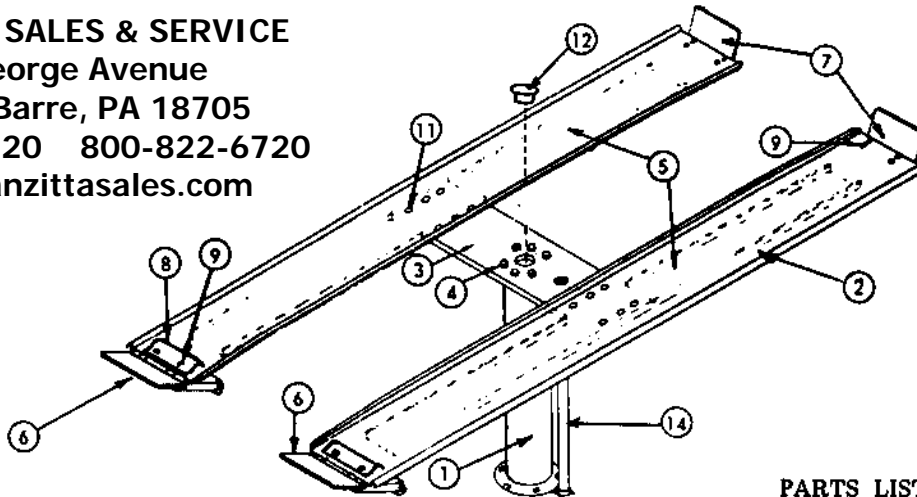
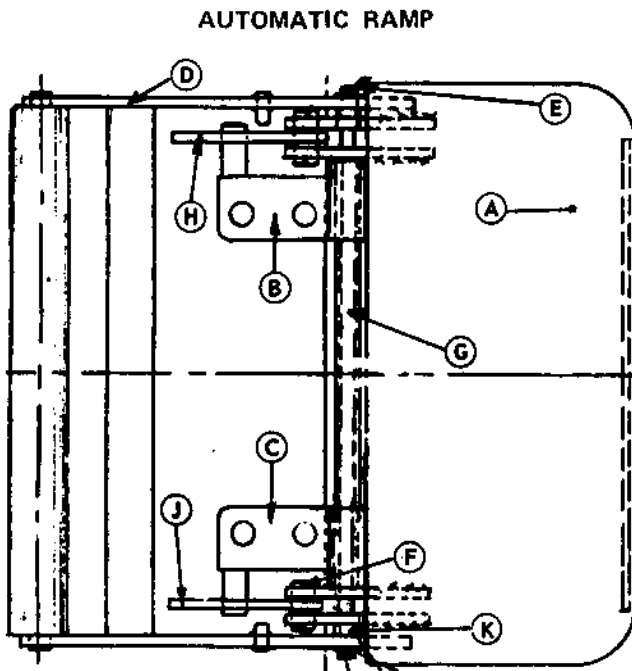


**ROWP-10
HOIST PARTS**

PANZITTA SALES & SERVICE
72 George Avenue
Wilkes-Barre, PA 18705
570-822-6720 800-822-6720
www.panzittasales.com



PARTS LIST



AUTOMATIC RAMP

RAMP PARTS

Ref.	Quan.	Part No.	Description
A	(1)	B-40794	Ramp Sub Assembly
B	(1)	B-40788-1	Right Hand Hanger
C	(1)	B-40788	Left Hand Hanger
D	(1)	B-40780	Counter Weight Assembly
E	(1)	B-40784-3	Main Shaft
F	(2)	A-41574	Ramp Hinge Pins
G	(1)	B-40783-5	Center Spacer
H	(1)	B-40786-1	Right Hand Latch
J	(1)	B-40786	Left Hand Latch
K	(2)	B-40783-3	Spacer

NOTE: For Cylinder detail & packing information
see pages 14, 15 & 16

Ref.	Quan.	Part No.	Description
ROWP-10-AS			
1	(1)	C-38700-3	Cylinder Assembly
	(1)	B-38701	Cylinder Casing Only
	(1)	B-38702	Plunger Assembly
ROWP-10-BS			
1	(1)	C-35574-3	Cylinder Assembly
	(1)	B-35573-1	Cylinder Casing Only
	(1)	B-35570	Plunger Assembly
ROWP-10-ASL			
1	(1)	C-38700-7	Cylinder Assembly
	(1)	B-38701	Cylinder Casing Only
	(1)	B-38702	Plunger Assembly
CONTROLS			
ROWP-10-AS & ASL			
	(1)	571x4D	1/2" Air Control Valve
	(1)	A-30080	Air Exhaust Muffler
ROWP-10-BS			
	(1)	571x4C	1/2" Air Control Valve
	(1)	581x10	1-1/4" Oil Control Valve
	(1)	A-30080	Air Exhaust Muffler
	(1)	AC-30429	16" x 48" Oil Tank
	(1)	B-37905-5	Fill Pipe
	(1)	B-37904-3	Oil Gauge Stick
COMMON PARTS			
2	(1)	B-37362-2	Superstructure Assembly
3	(1)	B-37366-2	Bolster Assembly
4	(6)	430x124	Bolts, Hex 7/8"-9NC x 3"
5	(2)	B-37355	Runways
6	(2)	B-15139-850	Ramps
7	(2)	B-37164	Permanent Stops
8	(2)	B-39545	Safety Chocks
9	(16)	029xG16	Carriage Bolts 5/8"-11NCx2"
10	(6)	635x15	Shakeproof Lockwasher
11	(12)	029xG20W	Carriage Bolts 5/8"-11NC x 2-1/2"
12	(1)	A-41571	Access Cover
NON-ROTATORS			
13	(1)	B-35618-1	Casing Only
14	(1)	C-33459	Plunger (Double Latch)