

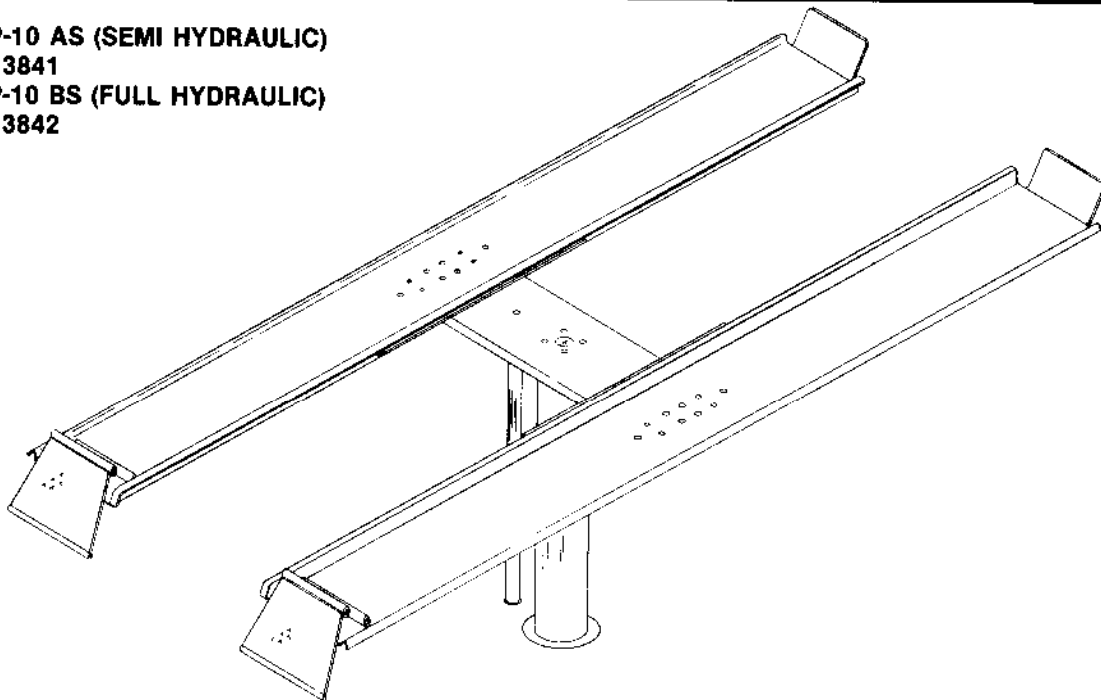
PANZITTA SALES & SERVICE
72 George Avenue
Wilkes-Barre, PA 18705
570-822-6720 800-822-6720
www.panzittasales.com

SERVICE MANUAL AND PARTS LIST

ROLL-ON SINGLE POST LIFT

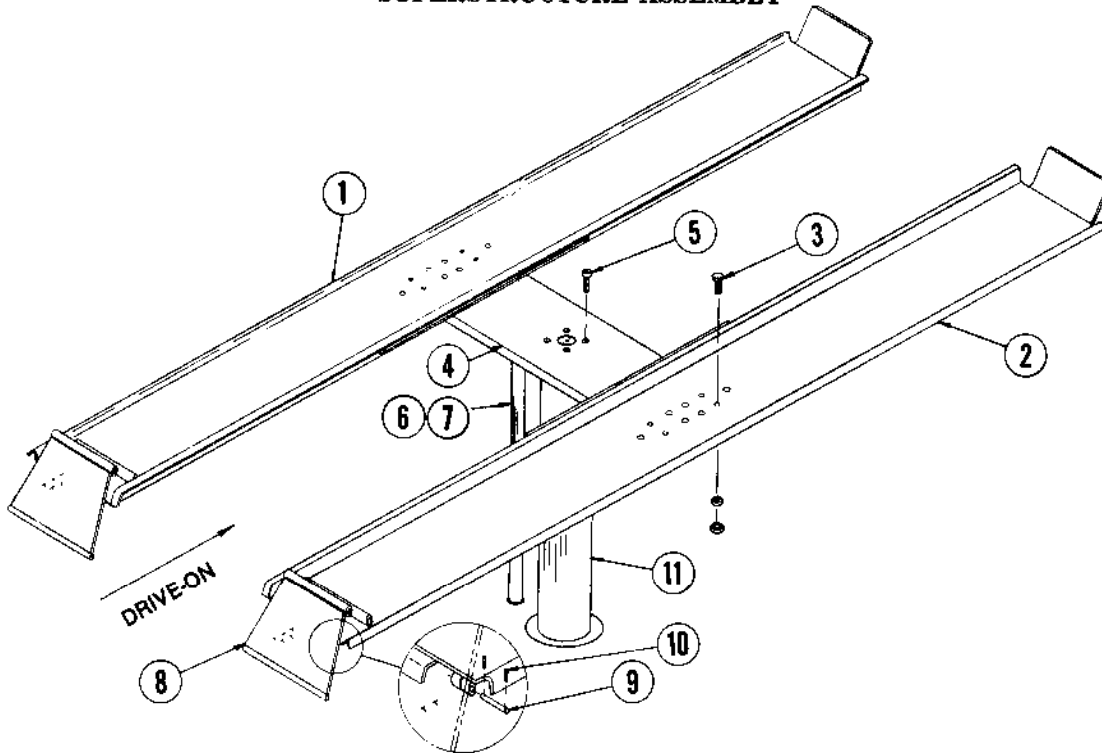
THIS LIFT IS DESIGNED FOR
PASSENGER CARS, LIGHT
TRUCKS & VANS WITHIN RATED
CAPACITY (8,000 LB.).
LOAD TO BE EVENLY
DISTRIBUTED OVER CENTER OF
CYLINDER

ROWP-10 AS (SEMI HYDRAULIC)
SPEC 3841
ROWP-10 BS (FULL HYDRAULIC)
SPEC 3842



PANZITTA SALES & SERVICE
 72 George Avenue
 Wilkes-Barre, PA 18705
 570-822-6720 800-822-6720
 www.panzittasales.com

SUPERSTRUCTURE ASSEMBLY



REF. NO.	PART NO.	QUANTY.	DESCRIPTION
1	C-43637	1	L.H. Runway
2	C-43636	1	R.H. Runway
3	029xG20W 639x12	8 8	5/8-11x2-1/2 Carriage Bolt & Nuts 5/8 Lockwasher
4	B-43633	1	Bolster
5	438xI24	4	7/8-9x3" S.H.C.S.
6, 7	B-43042	1	Automatic Lock Casing
	C-43720	1	Automatic Lock Plunger & Hardware
8	B-41704	2	Ramp
9	A-41702	4	Hinge Pin
10	360xC10	8	Cotter Pin
11	C-35574-12 or C-42205-1	1 1	BS Cylinder Ass'y. (Full Hydraulic) ASL Cylinder Ass'y. (Semi-Hydraulic)

**BS CYLINDER ASSEMBLY—FULL HYDRAULIC
TYPE "WA" CYLINDER (60-1/2" STROKE)**

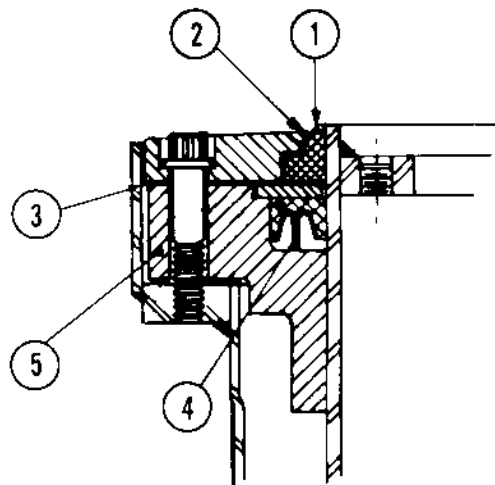
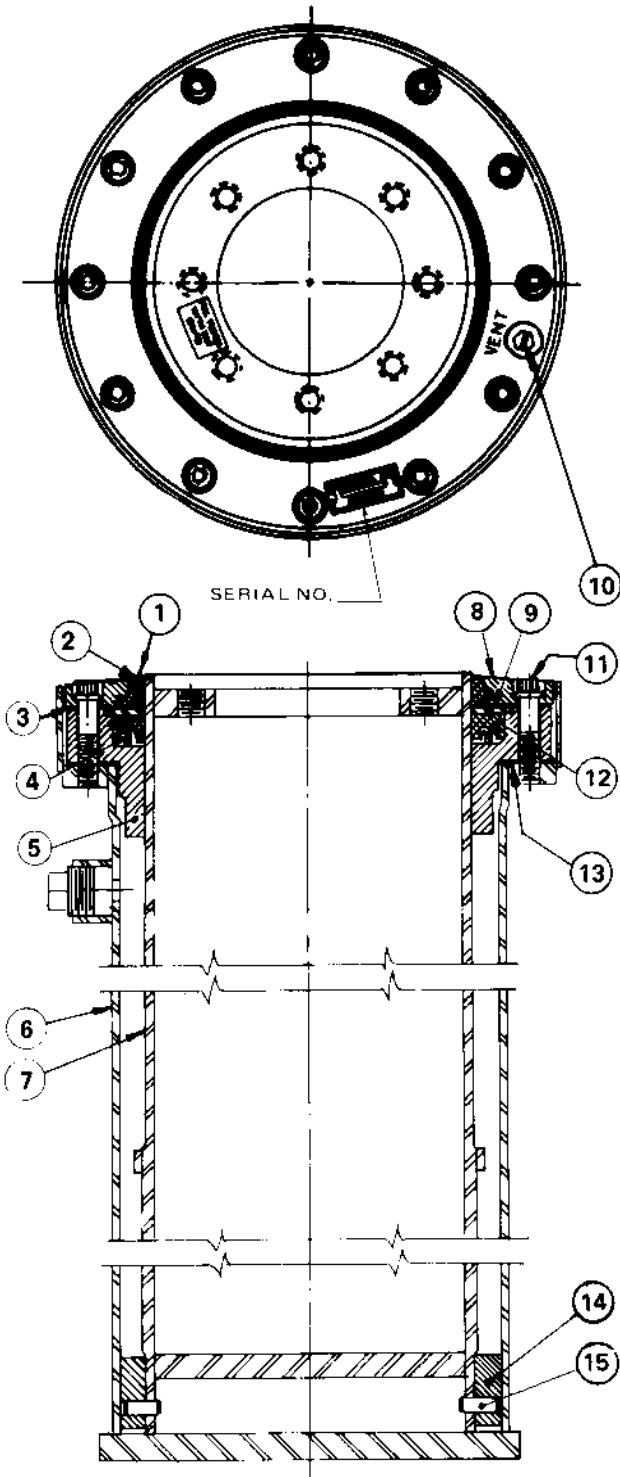
REF. NO.	PART NO.	QUANT'Y.	DESCRIPTION
----------	----------	----------	-------------

	C-35574-12	1	BS Cylinder Ass'y. Complete
1	335x10	1	Wiper Packing
2	549x10	1	Wiper Spring
3	B-35992	1	Wiper Seal Gasket
4	B-37354	1	Packing Spring
5	B-35055	1	Upper Guide Bearing
6	B-35573-6	1	Casing Assembly
7	B-35570-14	1	Plunger Assembly
8	B-35054	1	Wiper Seal Cover
9	B-35056	1	Holder Ring
10	B-37353	1	Bleeder Plug
11	438xG22	12	5/8-11x2-3/4 Cap Screw
12	323x10	1	"U" Packing
13	B-35052	1	Flange Gasket
14	B-41569	1	Lower Guide Bearing
15	359xM1250	2	Spring Pin

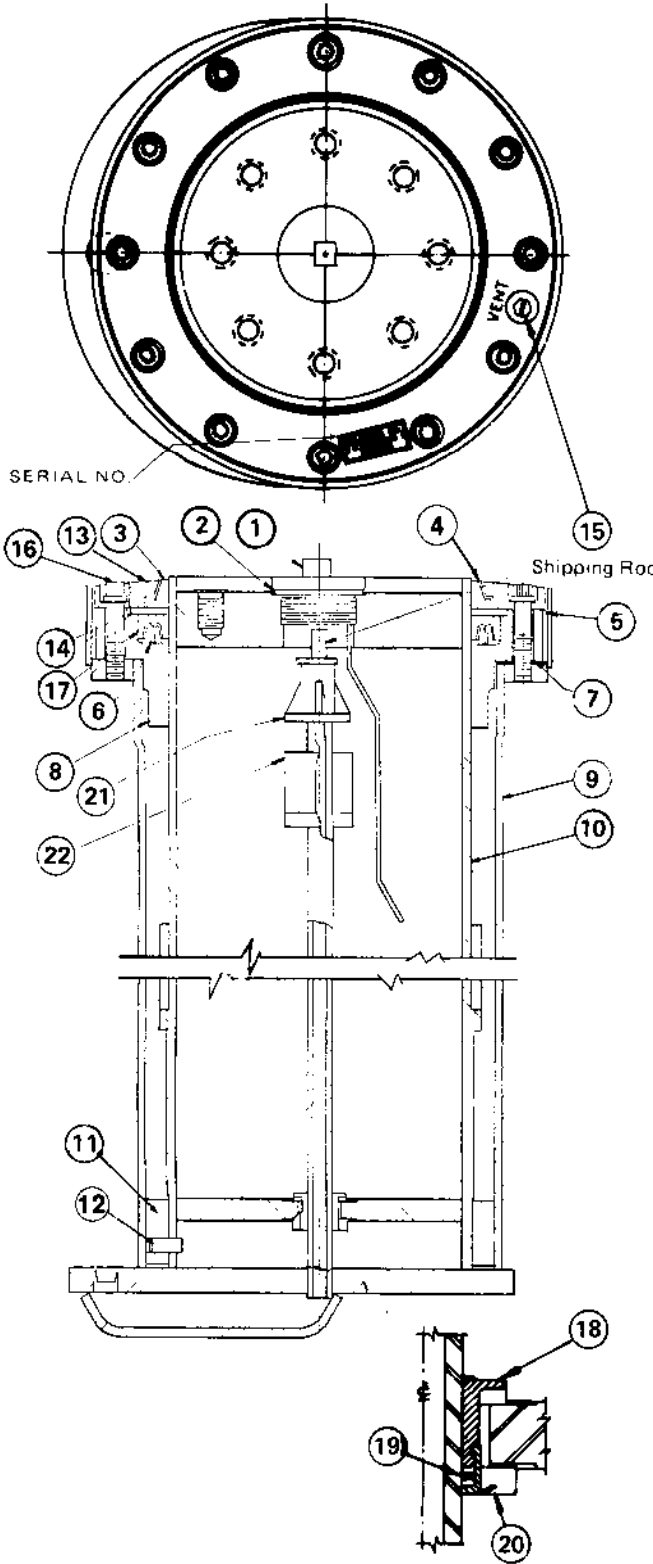
NOTE:

Items 1,2,3,4,12 & 13 are
Supplied in Kit UW-102.

CYLINDER SERIAL NO.
10-136



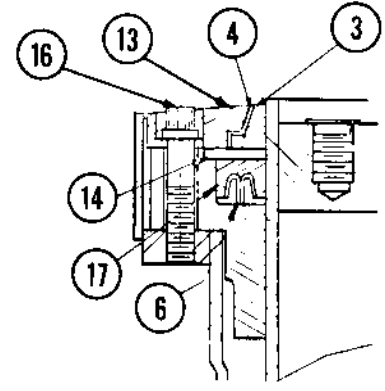
**AS CYLINDER ASSEMBLY – SEMI-HYDRAULIC
TYPE "WB" CYLINDER (60-1/2" STROKE)**



REF. NO.	PART NO.	QUANTY.	DESCRIPTION
C-42205-1		1	ASL Cylinder Ass'y. Complete (With LOC)
1	B-41538	1	Access Plug & Dipstick Ass'y.
2	204x3	1	Access Plug Gasket
3	335x10	1	Wiper Packing
4	549x10	1	Wiper Spring
5	B-35992	1	Wiper Seal Gasket
6	B-37354	1	Packing Spring
7	B-35052	1	Flange Gasket
8	B-35055	1	Upper Guide Bearing
9	B-38701-3	1	Casing Assembly
10	B-38702-5	1	Plunger Assembly
11	B-41569	1	Lower Guide Bearing
12	359xM1250	2	Spring Pin
13	B-35054	1	Wiper Seal Cover
14	B-35056	1	Holder Ring
15	B-37353	1	Bleeder Plug
16	438xG22	12	5/8-11x2-3/4 Cap Screw
17	323x10	1	"U" Packing
18	Kit No. A43457	1	Orifice Bushing
19		1	Quad Ring
20		1	Orifice Retainer
ASL (LOW OIL CONTROL) ASSEMBLY ONLY			
21	A-41085	1	Float Stop
22	A-39183	1	Float

NOTE:
Items 3, 4, 5, 6, 7 & 17 are
Supplied in Kit UW-102.

CYLINDER SERIAL NO.
10-133



AIR VALVE PARTS

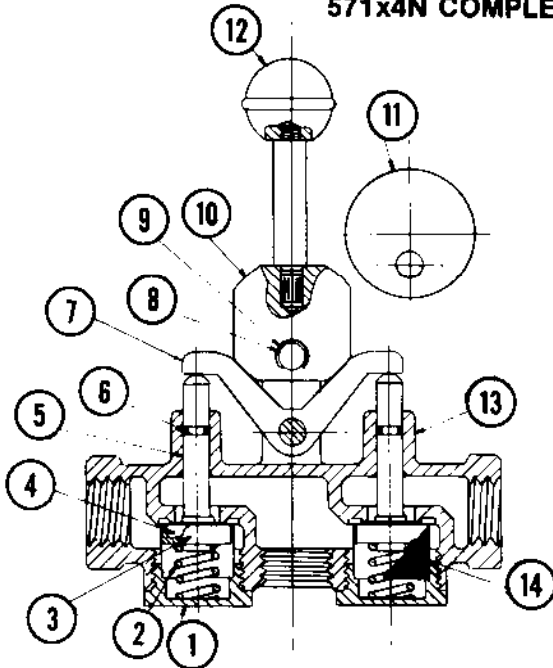
Should the air control valve leak, it may be due to a scored valve disc or seat. This is caused by grit, sand or pipe cuttings lodged on valve seat and forced into composition disc when the valve is closed. Valve can be repaired without removing it from the pipe line. Unscrew

bottoms of lever valves, clean screen seat and disc. If seat is scored, grind out score.

Leakage may occur around valve stem. To correct, lubricate stem and tighten down on packing nut.

571x4L COMPLETE VALVE ASSEMBLY (LOCKING)

571x4N COMPLETE VALVE ASSEMBLY (NON-LOCKING)



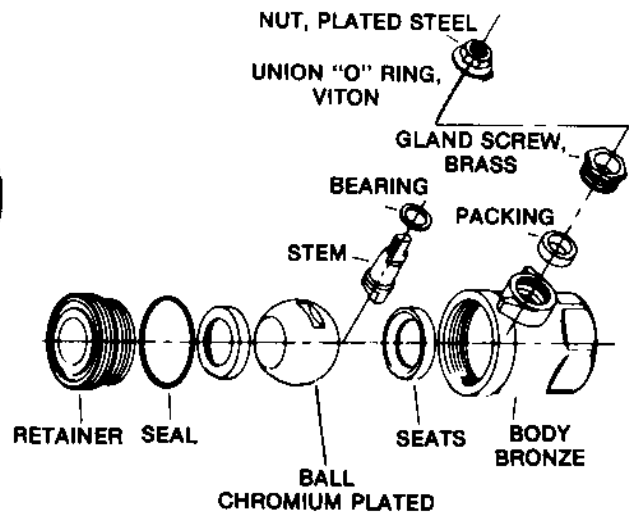
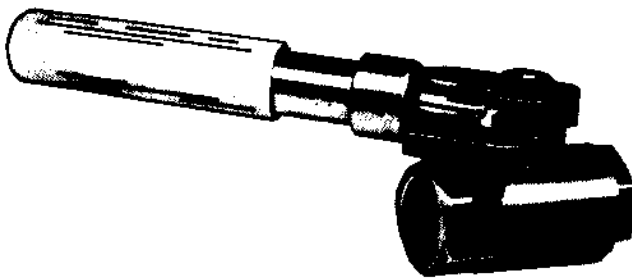
Ref. No.	Quan.	Part No.	Description
1	2	B43414-1	Cap
2	2	B43414-2	Spring
*3	2	B43414-3	Seat Holder
*4	2	B43414-4	Seat Disc
*5	2	B43414-5	Stem
*6	2	B43414-6	"O" Ring
7	1	B43414-7	Rocker
8	2	B43414-8	Clevis Pin
9	4	B43414-9	Retaining Ring
10	1	B43414-10	Cam Ass'y (Lock)
11	1	B43414-11	Cam Ass'y (Non-Lock)
12	1	B43414-12	Knob
13	1	B43414-13	Body
14	2	B43414-14	Screen
15	1	B43414-15	Tag

*These items included in:
B43414-16 Replacement Stem Ass'y

OIL VALVE PARTS

601x8 - 1" BALL VALVE - UNION END - COMPLETE VALVE ASSEMBLY

603x8 - 1" BALL VALVE - SPRING RETURN - COMPLETE VALVE ASSEMBLY—(WALL CONTROL USAGE)



PANZITTA SALES & SERVICE
72 George Avenue
Wilkes-Barre, PA 18705
570-822-6720 800-822-6720
www.panzittasales.com

A43780 - SERVICE KIT
CONTAINS:
SEAT (2), PACKING & BEARING