

SERVICE PARTS

Model P-28

Two Post Lift

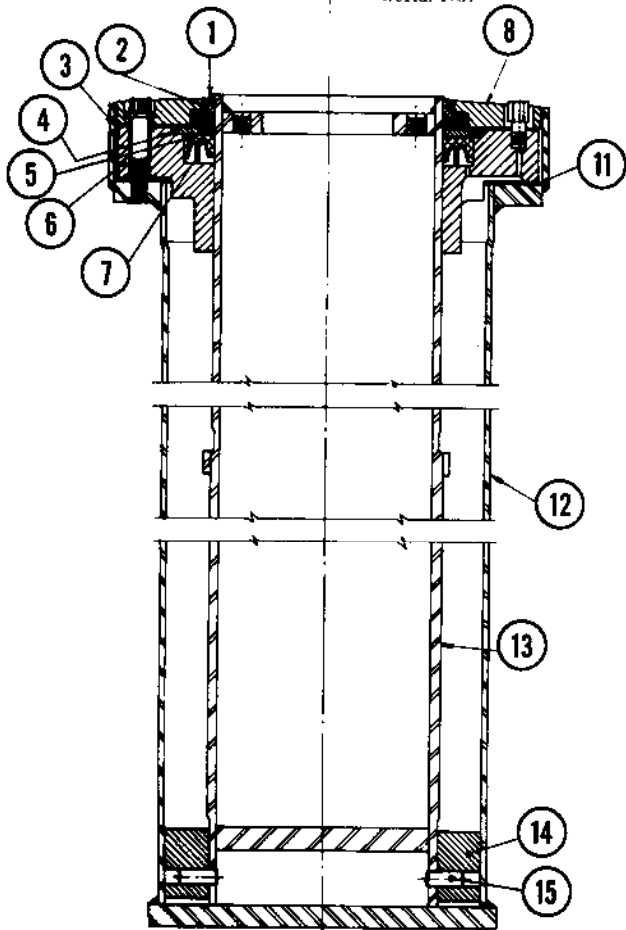
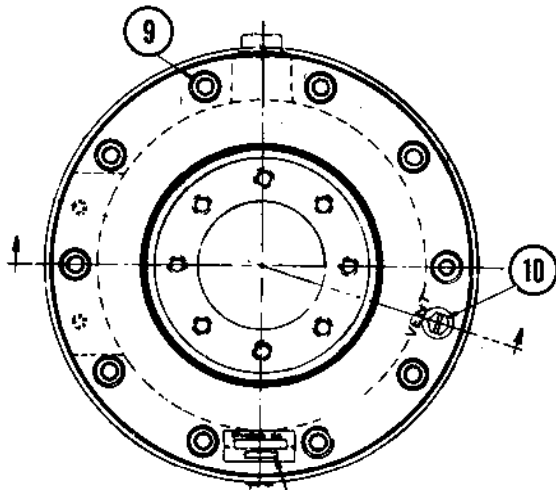
PARTS

Ref. No.	Part No.	Quantity	Description
1	C-42908-1	1	Cyl. Assembly 8½"
2	B-43737	1	Bolster Assembly
3	430 x H24	4	¾"-10NC x 3" Hex Head Cap Screw
4	639 x 14	4	¾" Lockwasher
5	430 x G20	1	5/8"-11 x 2½" Hex Head Cap Screw
6	642 x 12	1	5/8" Washer
7	639 x 12	1	5/8" Lockwasher
8	413 x H008	2	Stop Rivet
9	367 x 015	2	Plug
10	C-43114	2	Front Jack Assembly
11	B-43182	2	Wheel Stop
12	A-40690	4	Concrete Anchors
13	C-43860	1	Auto-Lock Plunger

FIGURE 4-1. FRONT SUPERSTRUCTURE ASSEMBLY

Ref. No.	Part No.	Quantity	Description
1	C-42908-1	1	Cylinder Assembly 8½"
2	C-42940	1	Superstructure Assembly
3	438 x H16	4	¾"-10 x 2" Socket Head Cap Screw
Saddle Assembly Complete B-42949			
4	A-43006	2	Attachment Pin
5	642 x 15	4	Washer
6	360 x C10	4	Cotter Pin
7	A-43005-1	1	Flipper-Link Assembly R.H.
8	A-43005	1	Flipper-Link Assembly L.H.
9	B-42943	1	Saddle Sub Assembly
10	430 x G20	2	5/8"-11 x 2½" Hex Head Cap Screw
11	639 x 12	1	5/8" Lockwasher
12	642 x 12	1	5/8" Washer
13	C-43860	1	Auto-Lock Plunger
14	B-37227-4	1	Jack Hook (Shipped with Super Assembly)

FIGURE 4-2. REAR SUPERSTRUCTURE ASSEMBLY

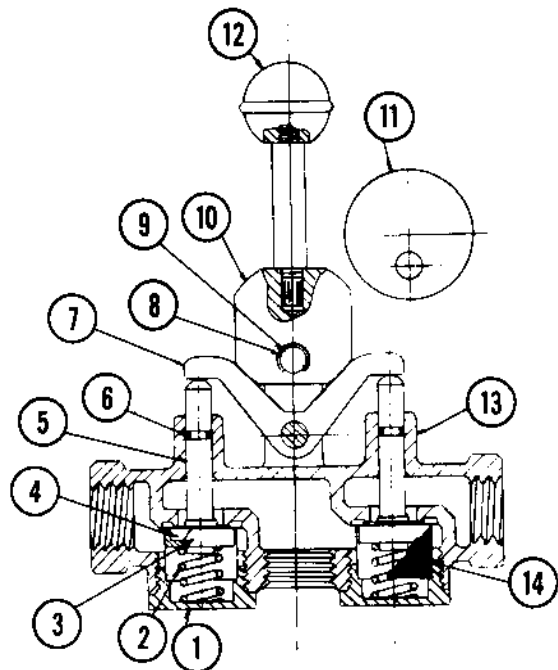


Ref. No.	Part No.	Quantity	Description
	C-42908-1	1	BS Cylinder Assembly Complete
1	385 x 8	1	Wiper Packing
2	549 x 8	1	Wiper Spring
3	B-37444	1	Wiper Seal Gasket
4	B-37447	1	Holder Ring
5	323 x 8	1	"U" Packing
6	B-37441	1	Upper Guide Bearing
7	B-37457	1	Packing Spring
8	B-37440	1	Wiper Seal Cover
9	438 x G22	10	5/8-11 x 2 3/4 Cap Screw
10	118839	1	Bleeder Plug
11	B-37446	1	Flange Gasket
12	B-42577-3	1	Casing Assembly
13	B-37442-13	1	Plunger Assembly
14	B-41584	1	Lower Guide Bearing
15	359xM1250	2	Spring Pin

Items 1, 2, 3, 5, 7 & 11 are supplied in kit #UW-81

PANZITTA SALES & SERVICE
 72 George Avenue
 Wilkes-Barre, PA 18705
 570-822-6720 800-822-6720
 www.panzittasales.com

FIGURE 4-3. 8 1/2" BS CYLINDER ASSEMBLY — FULL HYDRAULIC TYPE "WA" CYLINDER (67 1/2" STROKE)



Ref. No.	Part No.	Quantity	Description
1	B-43414-1	2	Cap
2	B-43414-2	2	Spring
3*	B-43414-3	2	Seat Holder
4*	B-43414-4	2	Seat Disc
5*	B-43414-5	2	Stem
6*	B-43414-6	2	"O" Ring
7	B-43414-7	1	Rocker
8	B-43414-8	2	Clevis Pin
9	B-43414-9	4	Retaining Ring
10	B-43414-10	1	Cam Assembly (Lock)
11	B-43414-11	1	Cam Assembly (Non-Lock)
12	B-43414-12	1	Knob
13	B-43414-13	1	Body
14	B-43414-14	2	Screen
15	B-43414-15	1	Tag

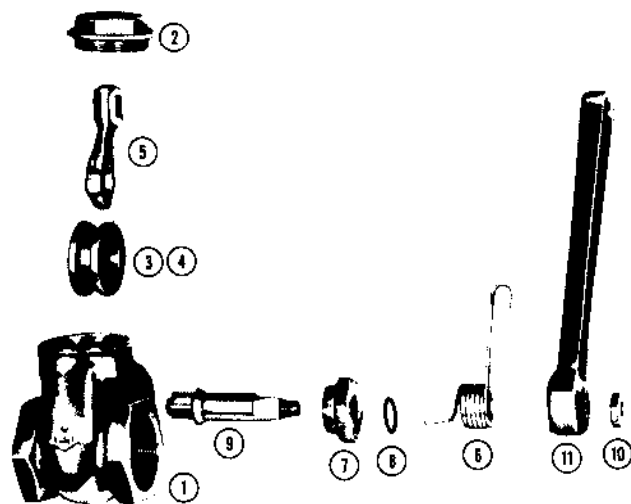
*These items included in:
B-43414-16 Assembly Stem Assembly

Should the air control valve leak, it may be due to a scored valve disc or seat. This is caused by grit, sand or pipe cuttings lodged on valve seat and forced into composition disc when the valve is closed. Valve can be repaired without removing it from the pipe line. Unscrew

bottoms of lever valves, clean screen seat and disc. If seat is scored, grind out score.

Leakage may occur around valve stem. To correct, lubricate stem and tighten down on packing nut.

FIGURE 4-4. AIR VALVE PARTS
571 x 4L COMPLETE VALVE ASSEMBLY



Ref. No.	Part No.	Description
1	B-41986-1	Body
2	B-41986-2	Cap
3	B-41986-3	Set { Male Disc
4	B-41986-4	
5	B-41986-5	Lever
6	B-41986-6	Spring
7	B-41986-7	Bonnet
8	B-41986-8	"O" Ring
9	B-41986-9	Stem
10	B-41986-10	Handle Nut
11	B-41986-11	Lever Handle
	580x10	Complete Valve

PANZITTA SALES & SERVICE
72 George Avenue
Wilkes-Barre, PA 18705
570-822-6720 800-822-6720
www.panzittasales.com

FIGURE 4-5. OIL VALVE PARTS
580 x 10 GATE VALVE 1/4" - COMPLETE ASSEMBLY