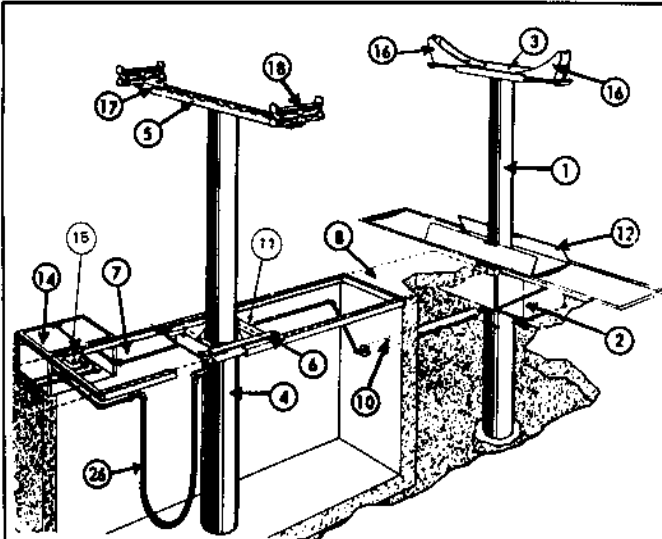
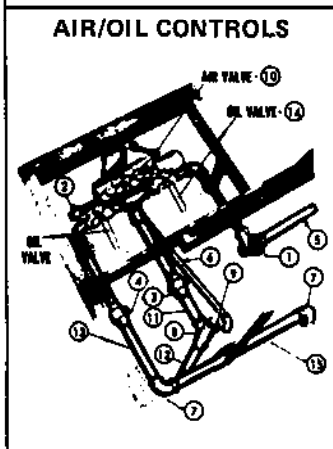


HOIST PARTS



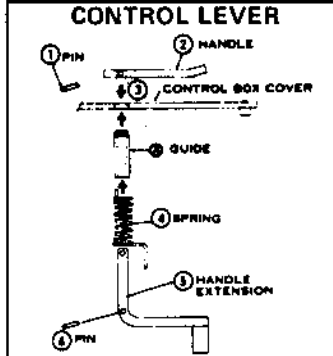
Ref.	Quan.	Part No.	Description
REAR POST EQUIPMENT			
1	(1)	D-11740	Cylinder Assy. 7-1/2" Full Hydraulic Surface Packed 75" Stroke
2	(1)	E-11810	Pit Form Assy. with Control Pit Sides wired to frame
3	(1)	D-11800	Rear Saddle Superstructure with name plates
	(1)	D-11800-1	Rear Saddle Superstructure with name plates (Pump Unit Operation)
FRONT POST EQUIPMENT			
4	(1)	D-11720	Cylinder Assy. 7-1/2" Full Hydraulic Surface Packed, w/Carriage Bolster 66" Stroke
5	(1)	D-11835	Front Saddle Superstructure
6	(1)	E-11730	Front Pit Frame
			Spacer Rod } Wired to Pre-cut Pipes } Frame
7	(1)	D-11842	Cover Plates (Front)
8	(1)	C-11846	Cover Plates (Rear)
SHIPPED SEPARATE			
9	(1)	11867	Air/Oil Storage Tank
10		Spec. 2438	4-3/4" O.D. Plastic Pipe
11	(2)	B-11764	Axles (For Front Car. Bolster)
12	(2)	B-11824	Doors (For Rear Pit)
13	(1)	A-11845	Hinge Bars (For Rear Doors)
14	(1)	C-13275	Cover & Handle Assy. Air/Oil
	(1)	B-12470	Swing Door Assy. (R.H.) } Elec.
	(1)	B-12469	Swing Door Assy. (L.H.) } Pump
15	(1)	C-11884	Pivot Casting (For Control Box)
16	(1)	D-11795	R.H. Angle Jacks (For Rear Super)
	(1)	D-11796	L.H. Angle Jacks (For Rear Super)
17	(2)	B-12835	Sliding Bloxks (For Front Super)
18	(2)	B-12836	Pivot Jacks (For Front Super)
19	(1)	C-12468	Handle (For Front Jacks)
20	(1)	B-11868	Gauge Rod & Plug Assembly (For Air/Oil Tank)
21	(1)	B-11859	Guide (For Dishing Wheel Wells)
22	(1)	C-13000	Air Valve Manifold Assembly
23	(1)	D-13282	Oil Control Manifold Assembly
		D-12856	Valve Manifold Assy. (Elec. Pump)
24		None	Burlap Bag containing: (1) small pre-cut pipe, (2) fittings, (3) oil valve handle with extension & (4) air valve handle assembly.
25		None	Small bag of Small Assorted Parts (Nuts, Bolts, etc.)
26	(1)	A-11690-10	Rubber Hose



AIR/OIL CONTROLS

PARTS

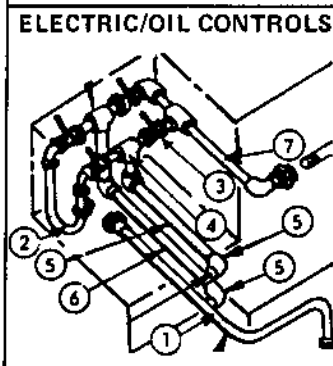
(1)	4047	3/4" 90° Elbow Union
(2)	4042	Union - 1/2"
(3)	4044	Union - 1"
(4)	4043	Union - 3/4"
(5)	A-11864	Nipple - 3/4"
(6)	A-11861	Nipple - 1/2"
(7)	3765	90° Elbow - 3/4"
(8)	GM-115237	Tee - 1"
(9)	B-11868	Plug - 1"
(10)	A-13061	1/2" Air Valve
(11)	A-11894	Nipple - 1"
(12)	GM-219355	Nipple - 1"
(13)	3282	Nipple - 3/4"
(14)	B-14380	3/4" Oil Valve
(15)	3274	Nipple - 3/4"



CONTROL LEVER

PARTS

(1)	GM-453676	
(2)	A-13366	
(3)	C-13274	
(4)	B-13164	
(5)	A-12983	
(6)	GM-455921	



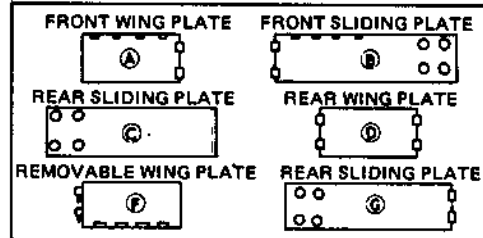
ELECTRIC/OIL CONTROLS

PARTS

(1)	A-12809	Pipe
(2)	A-12805	Pipe
(3)	B-14380-1	Valve
(4)	B-12635	Tee
(5)	3766	Elbow
(6)	3344	Nipple
(7)	3257	Nipple

(All 3/4" Pipe & Fittings)

COVER PLATES



TYPE DOOR	PART NO.	LENGTH	TRAVEL USED ON	TYPE DOOR	PART NO.	LENGTH	TRAVEL USED ON
"A"	C11843	27"	80"	F	C12022	12"	80"
	C12020	30"	72"		C12018	24"	108"
	C11924	51"	84"		C11983	30"	120"
"B"	C11987	51"	96"-156"	G	C12060	48"	132"
	C11842	68"	90"-156"		C12063	24"	144"
"C"	C11846	68"	80"	G	C12018	36"	144"
	C12021	12"	72"		C38218-2	36"	186"
"D"	C11922	24"	84"	G	11925	66"	72"-156"
	E-11998	24"	96"-156"				

MP-27 CYLINDER

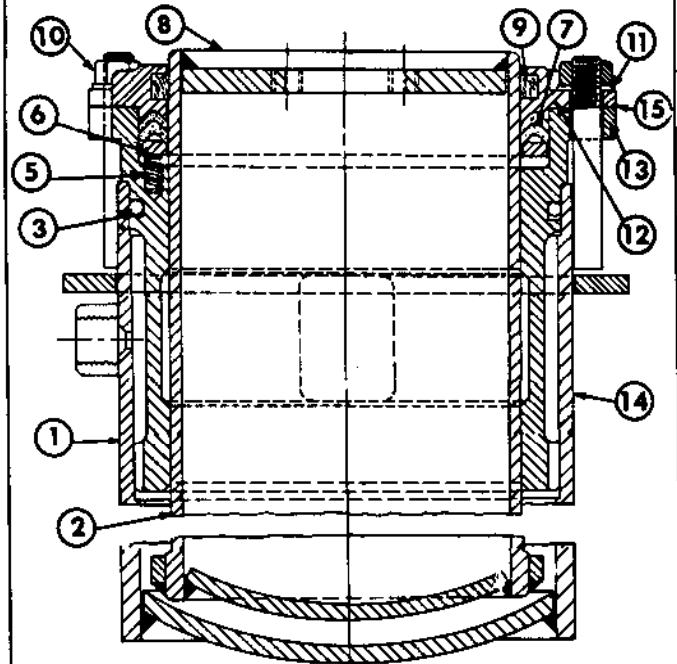
(FOR COMPLETE ASSEMBLY NUMBER
SEE HOIST BREAKDOWN)

PARTS LIST

Ref.	Quan.	Part No.	Description
1	(1)	See Hoist	Cylinder Casing Only
2	(1)	See Hoist	Plunger Assembly Only
3	(1)	11820-73	"O" Ring
4	(1)	3881	1/8" Vent Plug
5	(6)	A-1175	Spring
6	(1)	C-11726	Male Adapters
7	(2)	A-11885	"V" Packing
		D-11739	Piston Assembly (Rear)
8	(1)	D-11719	Piston Assembly (Front)
9	(1)	A-11728	Wiper
10	(8)	2622-H	Hex Nut
11	(8)	2847	Lockwasher
12	(1)	C-11727	Packing Retainer
13	(1)	D-11724	Bearing
		D-11737	Cylinder Assembly (Rear)
14	(1)	D-11713	Cylinder Assembly (Front)
15	(1)	C-12970	Gasket

PACKING KITS:

A-14434		A-13891	
(6)	A-11725 - Spring	(1)	C-11726 - Male Adapter
(1)	C-11726 - Male Adapter	(2)	A-11885 "V" Packing
(2)	A-11885 - "V" Packing		
(1)	A-11728 - Wiper		
(1)	C-12970 - Gasket		



PANZITTA SALES & SERVICE
72 George Avenue
Wilkes-Barre, PA 18705
570-822-6720 800-822-6720
www.panzittasales.com