



INSTALLATION, OPERATION
& SERVICE PARTS

Models MP-210A, MP-210E;

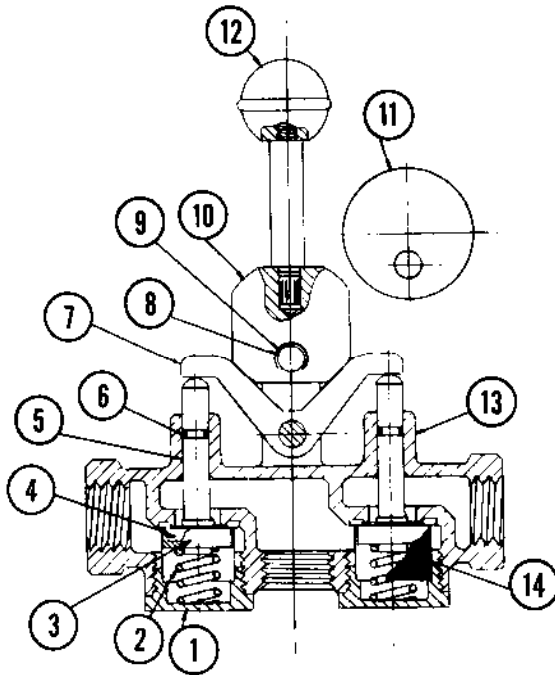
SHMP-210A, SHMP-210E;

SHMP-310E; and MP-310EDR

Series V Movable Post Lifts

PARTS

571x4L COMPLETE VALVE ASSEMBLY



Ref. No.	Part No.	Quantity	Description
1	B-43414-1	2	Cap
2	B-43414-2	2	Spring
*3	B-43414-3	2	Seat Holder
*4	B-43414-4	2	Seat Disc
*5	B-43414-5	2	Stem
*6	B-43414-6	2	"O" Ring
7	B-43414-7	1	Rocker
8	B-43414-8	2	Clevis Pin
9	B-43414-9	4	Retaining Pin
10	B-43414-10	1	Cam Assembly (Lock)
11	B-43414-11	1	Cam Assembly (Non-Lock)
12	B-43414-12	1	Knob
13	B-43414-13	1	Body
14	B-43414-14	2	Screen
15	B-43414-15	1	Tag

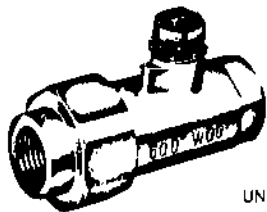
*These items included in B43414-16 Replacement Stem Assembly

Should the air control valve leak, it may be due to a scored valve disc or seat. This is caused by grit, sand or pipe cuttings lodged on valve seat and forced into composition disc when the valve is closed. Valve can be repaired without removing it from the pipe line. Unscrew bottoms of lever valves, clean screen seat and disc. If seat is scored, grind out score.

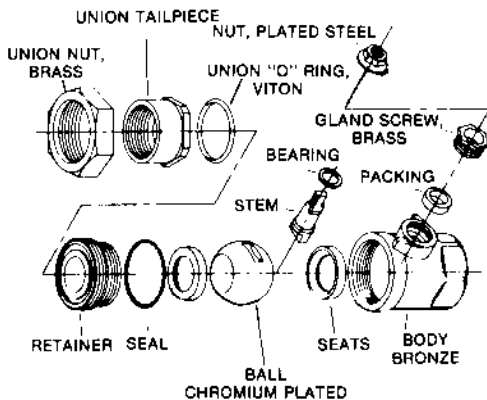
Leakage may occur around valve stem. To correct, lubricate stem and tighten down packing nut.

FIGURE 4-1. AIR VALVE PARTS

601x8 (1" BALL VALVE) (FLOOR BOX)



A-43780 - SERVICE KIT
CONTAINS:
SEAT (2), PACKING & BEARING



Ref. No.	Part No.	Quantity	Description
	580x10		Complete Valve
1	B-41986-1	1	Body
2	B-41986-2	1	Cap
3	B-41986-3	1	Male Disc
4	B-41986-4	1	Female Disc
5	B-41986-5	1	Lever
6	B-41986-6	1	Spring
7	B-41986-7	1	Bonnet
8	B-41986-8	1	"O" Ring
9	B-41986-9	1	Stem
10	B-41986-10	1	Handle Nut
11	B-41986-11	1	Lever Handle

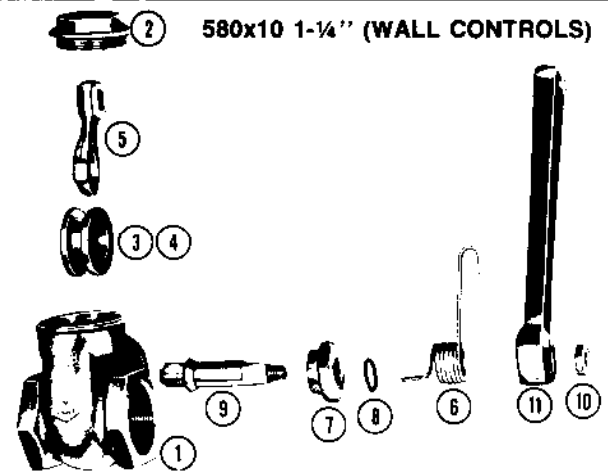


FIGURE 4-2. OIL VALVES (PARTS)

FIGURE 4-3. CONTROL VALVE MANIFOLD — AIR/OIL OPERATED

WHEN IT IS DESIRED TO STOP LIFT CARE SHOULD BE TAKEN TO ASSURE THAT ALL VALVES ARE COMPLETELY CLOSED. DO NOT RELY ON THE VALVE SPRING.

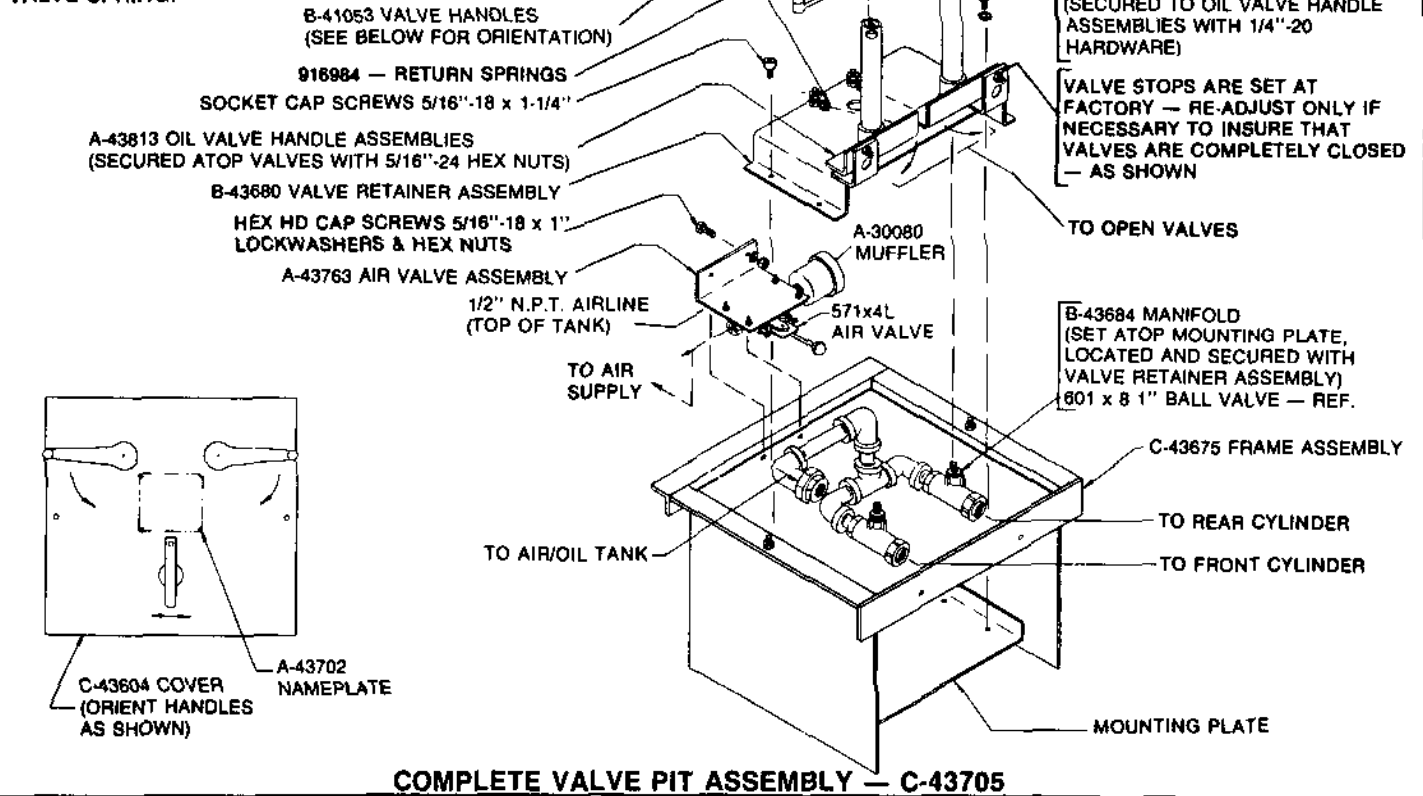
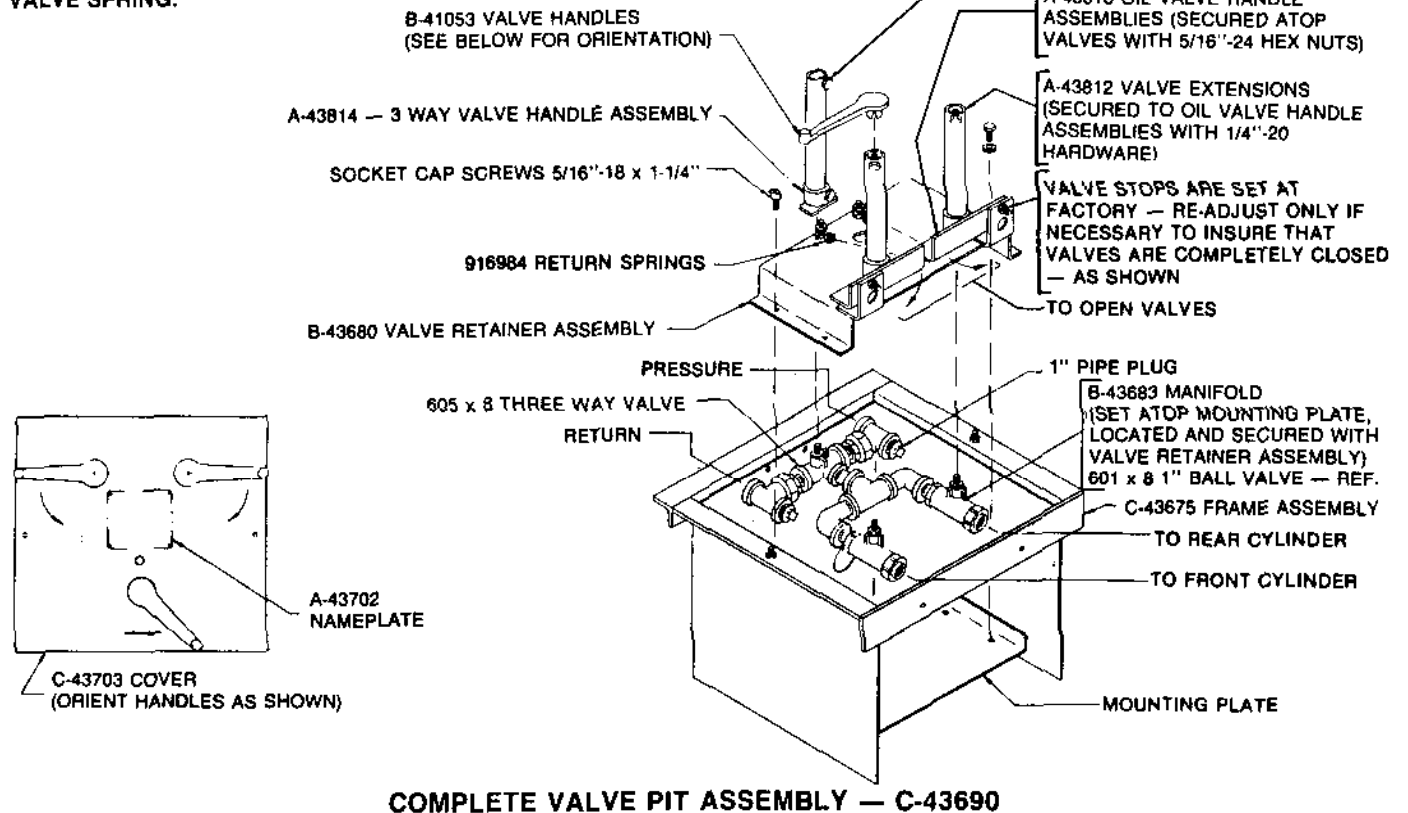
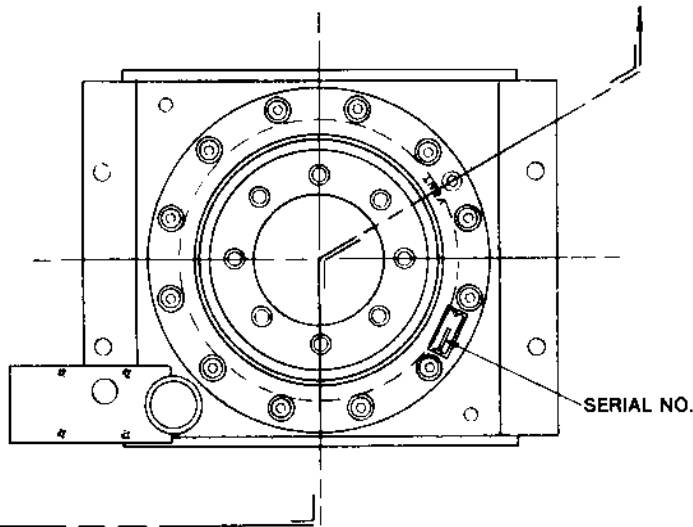


FIGURE 4-4. CONTROL VALVE MANIFOLD — PUMP OPERATED

WHEN IT IS DESIRED TO STOP LIFT CARE SHOULD BE TAKEN TO ASSURE THAT ALL VALVES ARE COMPLETELY CLOSED. DO NOT RELY ON THE VALVE SPRING.

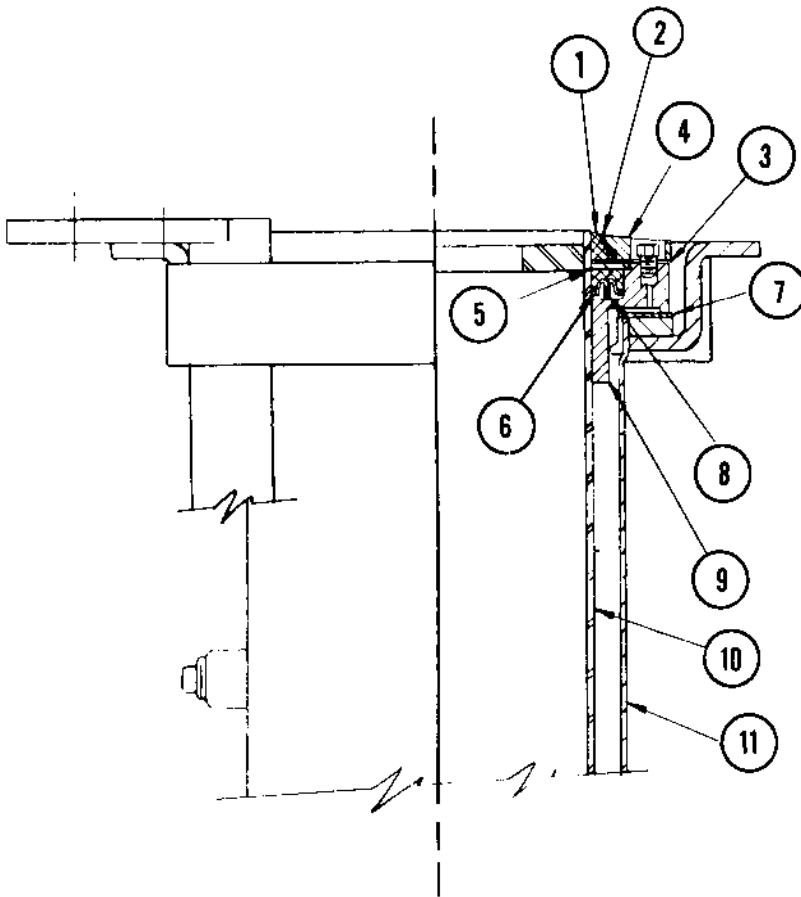


FRONT CYLINDER ASSEMBLY MOVABLE POST (C-43655)



Item	Part No.	Description
1	335X10	Wiper Packing
2	549X10	Wiper Spring
3	B-35992	Wiper Seal Gasket
4	B-35054	Wiper Seal Cover
5	B-35056	Holder Ring
6	323X10	"U" Packing
7	B-35052	Flange Gasket
8	B-37354	Packing Spring
9	B-35055	Upper Guide Bearing
10	B-35570-14	Plunger Assembly
11	B-43707	Casing Assembly

REAR CYLINDER ASSEMBLY (C-35574-12 SHMP-210 A & E, SHMP-310E) (C-35574-17 All other models)



Item	Part No.	Description
1	335X10	Wiper Packing
2	549X10	Wiper Spring
3	B-35992	Wiper Seal Gasket
4	B-35054	Wiper Seal Cover
5	B-35056	Holder Ring
6	323X10	"U" Packing
7	B-35052	Flange Gasket
8	B-37354	Packing Spring
9	B-35055	Upper Guide Bearing
10	B-35570-14	Plunger Assembly (SHMP-210 A & E, SHMP-310E)
	B-35570-22	Plunger Assembly (All Other Models)
11	B-35573-6	Casing Assembly

Not Shown:
Plunger lower guide bearing — B-41569
Note:
Items 1, 2, 3, 6, 7 & 8
supplied in Kit UW-102

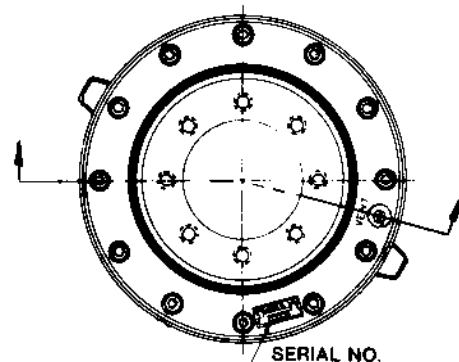
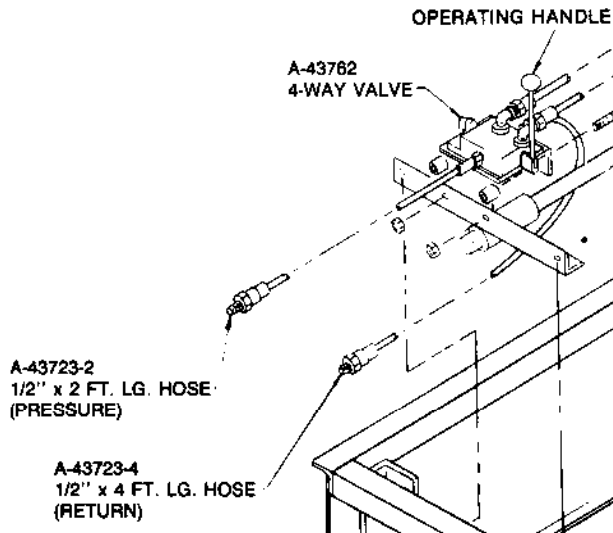
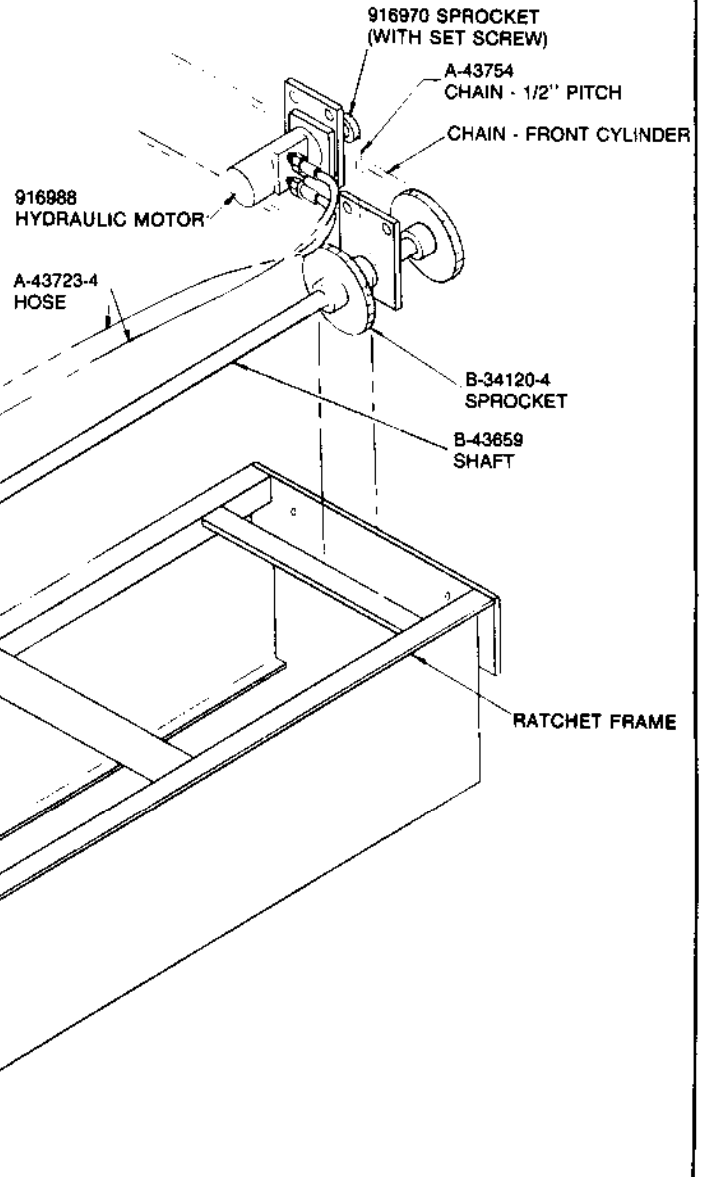
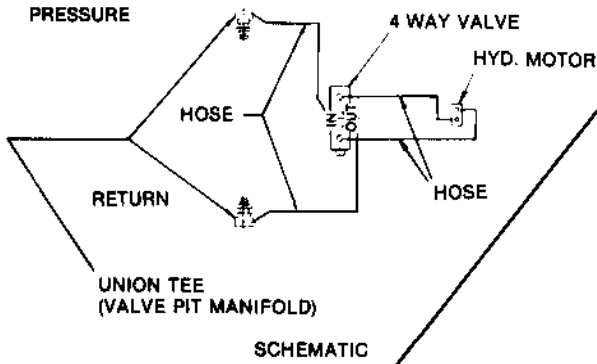


FIGURE 4-5. FRONT AND REAR CYLINDER ASSEMBLIES

ELECTRIC PUMP OPERATED MODELS ONLY
Reference (A-43769 Original Equipment,
ACC-166 Field Retrofit)



PANZITTA SALES & SERVICE
72 George Avenue
Wilkes-Barre, PA 18705
570-822-6720 800-822-6720
www.panzittasales.com

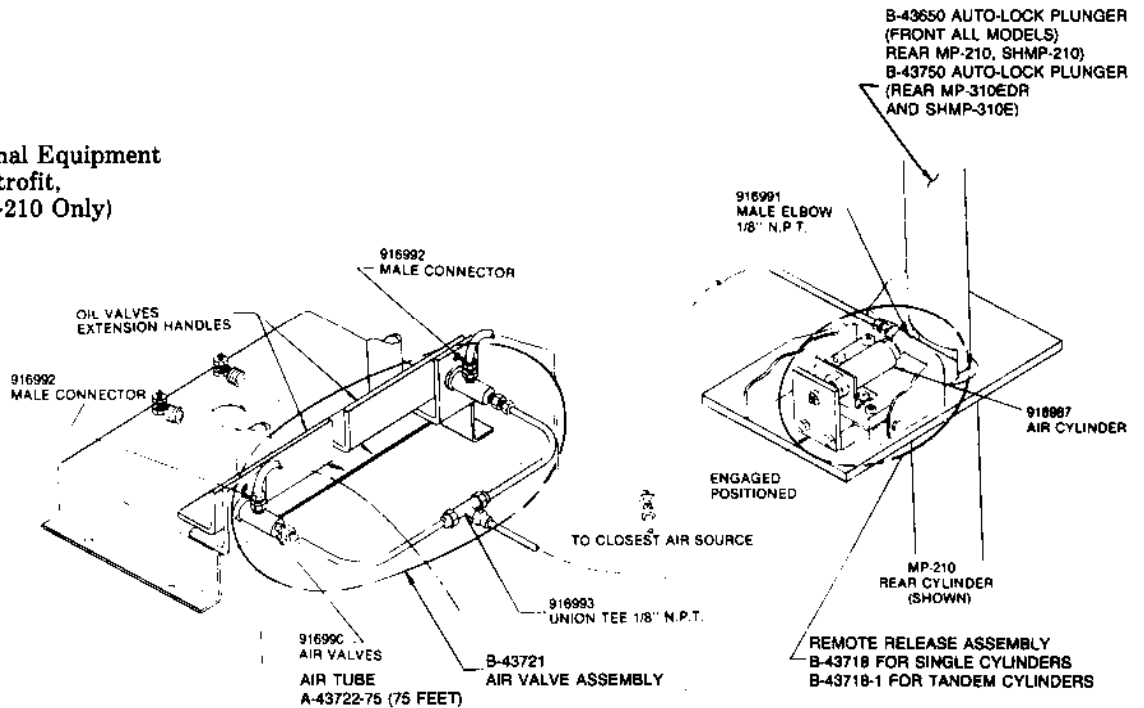
5.3. OPERATION REMOTE RELEASE LOCK LEGS

If the lift is equipped with the remote release lock legs, the locks will be disengaged automatically when the cylinder control valves are pulled to an open position. Adjustment is provided to insure that the locks are engaged when the valve handles are released.

If the auto-lock leg has settled on the latch, raise the lift before releasing the latch.

Keep the area around the auto-lock clean and free of any material which would inhibit the latch movement.

A-43770-XX Original Equipment
ACC 164 Field Retrofit,
(MP-210 & SHMP-210 Only)



PANZITTA SALES & SERVICE
72 George Avenue
Wilkes-Barre, PA 18705
570-822-6720 800-822-6720
www.panzittasales.com