

H-2-3
H-3 Series
H-8-1
H-9-1

PANZITTA SALES & SERVICE
72 George Avenue
Wilkes-Barre, PA 18705
570-822-6720 800-822-6720
www.panzittasales.com

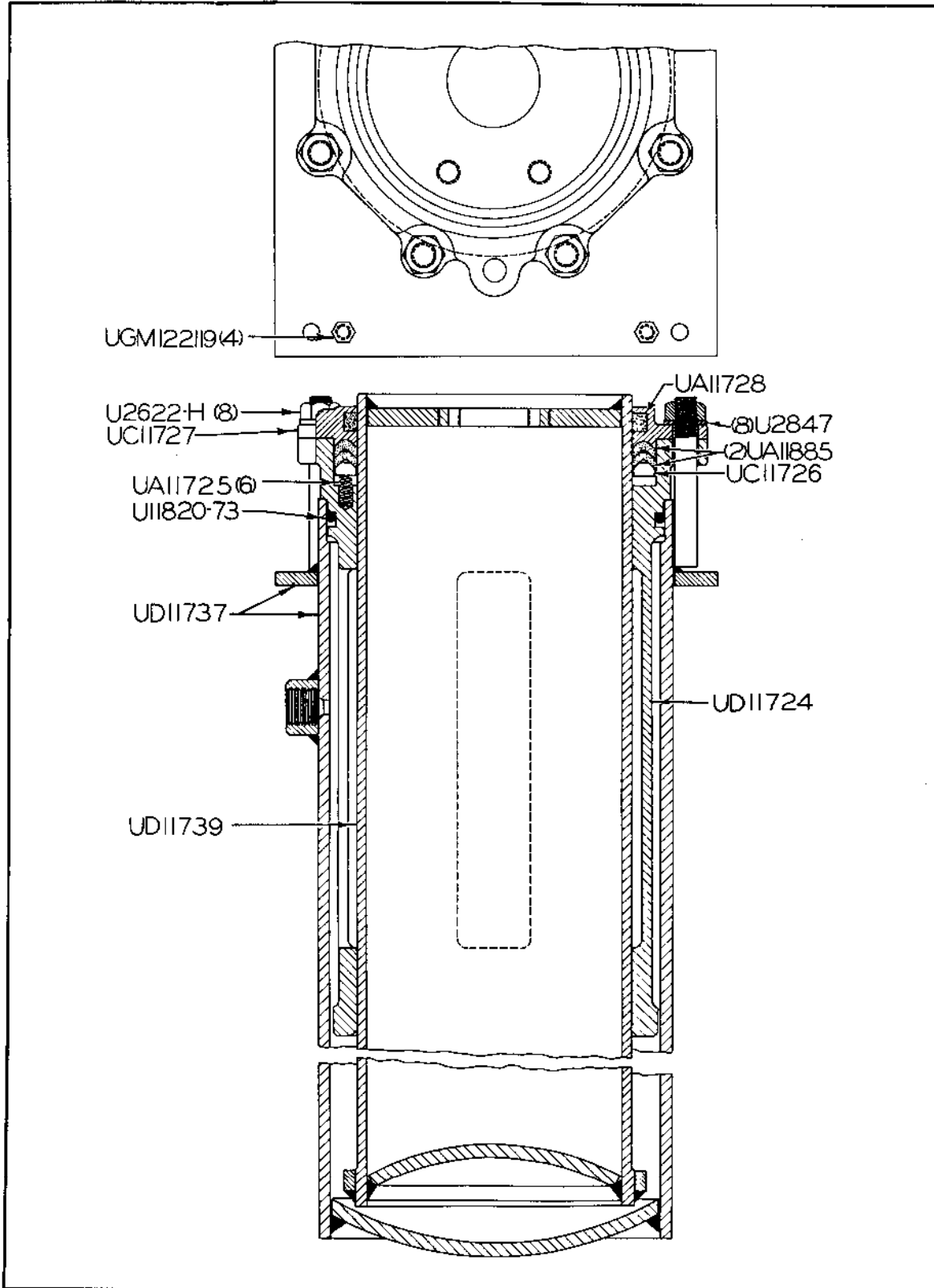


FIGURE 15 UD-11740 REAR CYLINDER ASSEMBLY (MODELS H-8-1 AND H-9-1)



PANZITTA SALES & SERVICE
72 George Avenue
Wilkes-Barre, PA 18705
570-822-6720 800-822-6720
www.panzittasales.com

H-2-3
H-3 Series
H-8-1
H-9-1

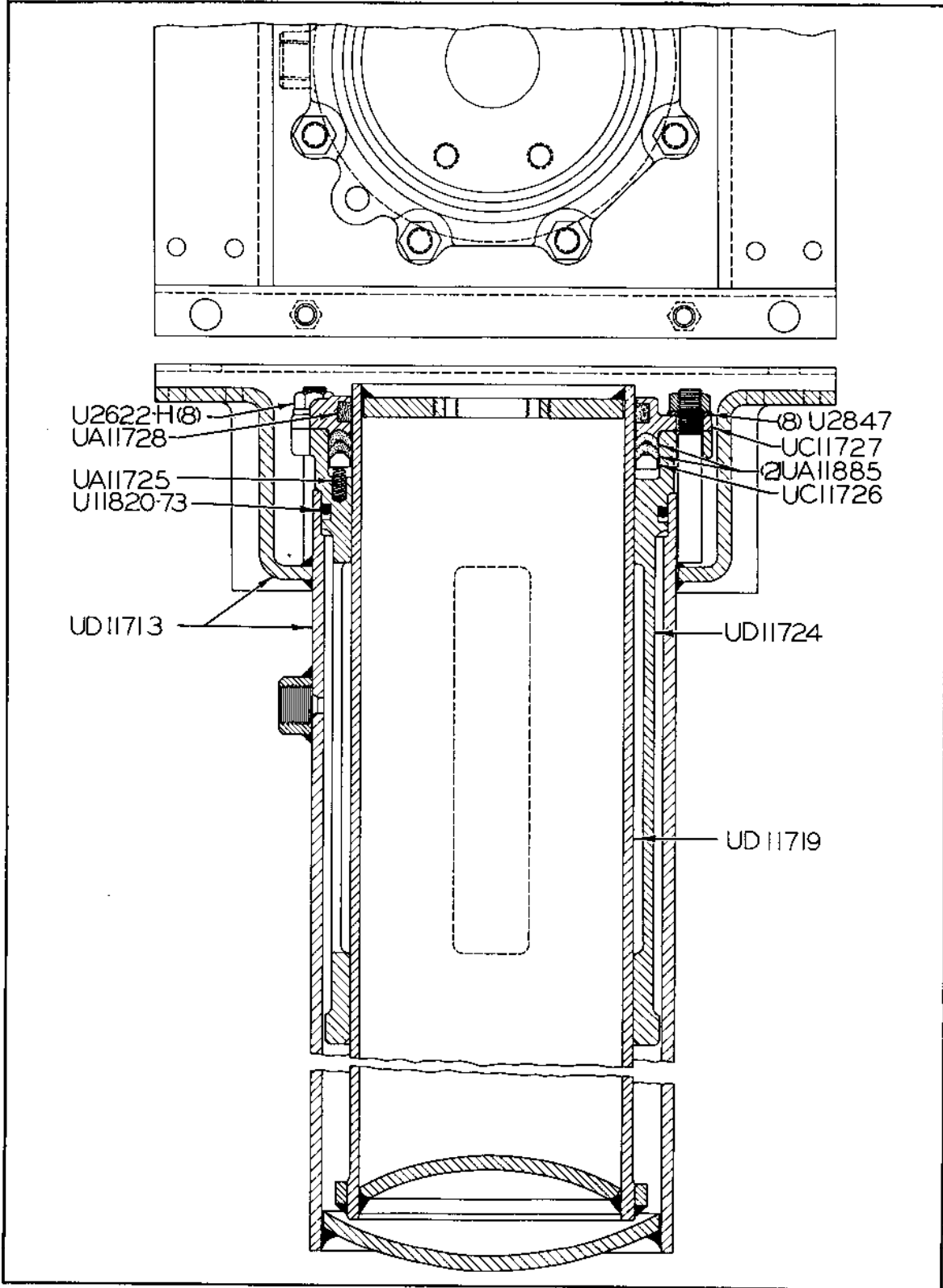


FIGURE 16 UD-11720 FRONT CYLINDER ASSEMBLY MODELS H-8-1 AND H-9-1)

H-2-3
H-3 Series
H-8-1
H-9-1

PANZITTA SALES & SERVICE
72 George Avenue
Wilkes-Barre, PA 18705
570-822-6720 800-822-6720
www.panzittasales.com

ALEMITE
DIVISION
STEWART-WARNER
CORPORATION

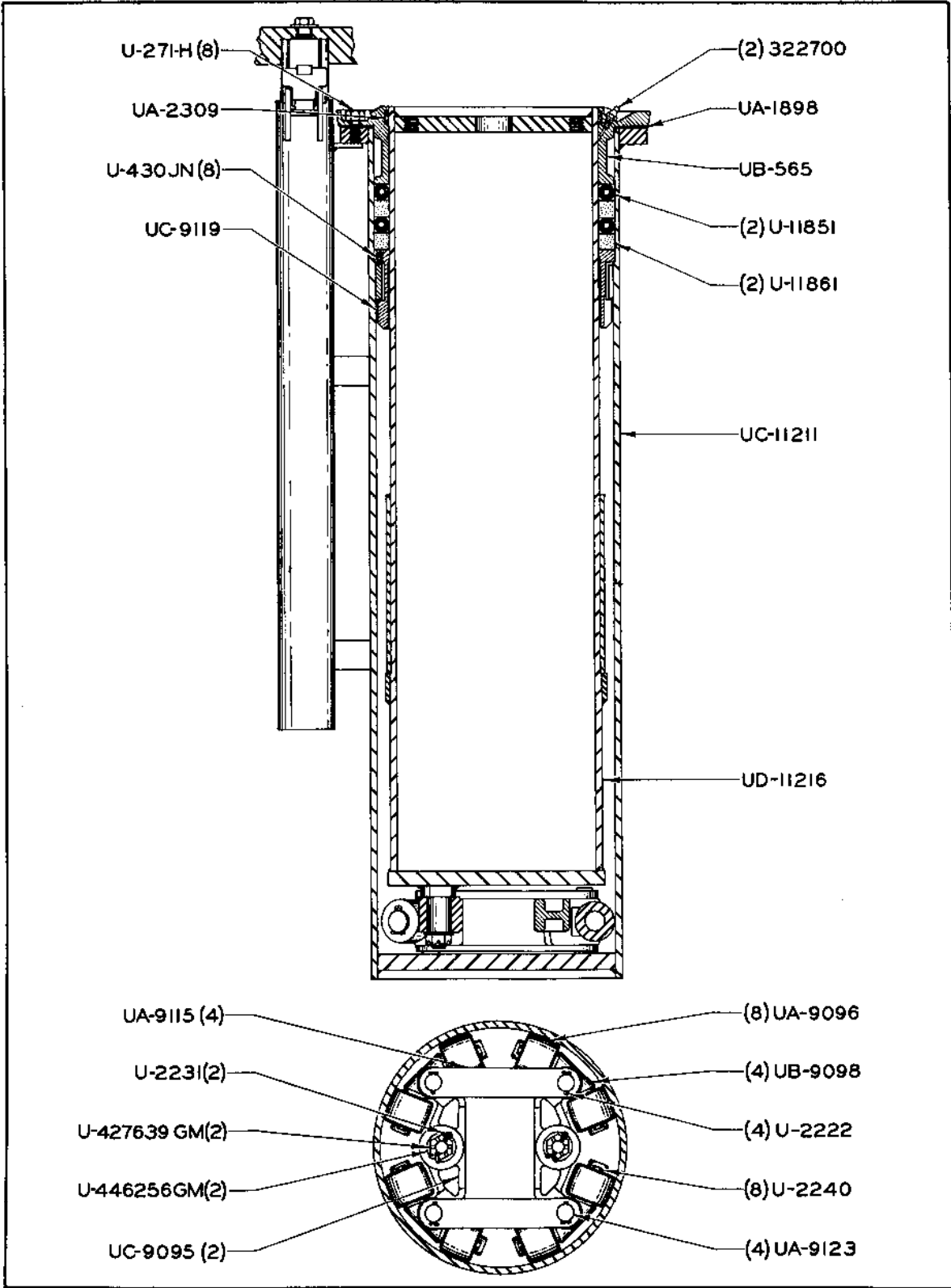


FIGURE 17 UD-11210 SERIES CYLINDER ASSEMBLY (USED ON H-2-3, H-3-2, H-3-3 AND H-3-4)



PANZITTA SALES & SERVICE
72 George Avenue
Wilkes-Barre, PA 18705
570-822-6720 800-822-6720
www.panzittasales.com

H-2-3
H-3 Series
H-8-1
H-9-1

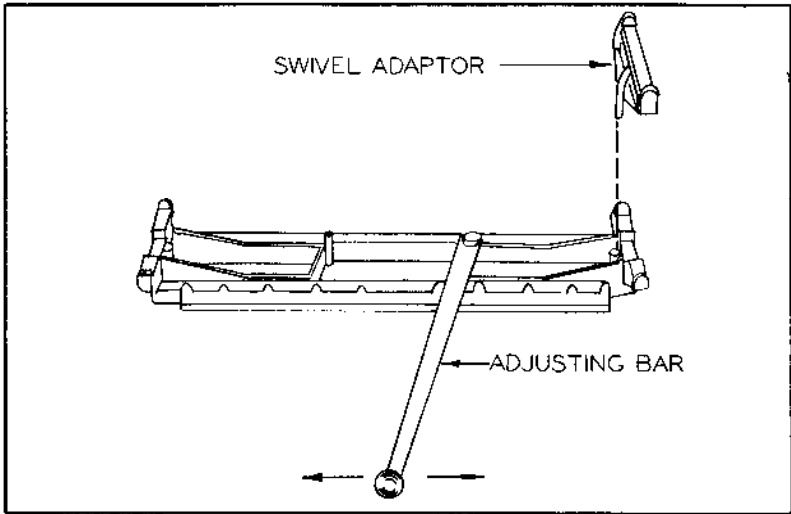


FIG. 18 UD-11871 Adjustable Saddle (Models H-8-1 and H-9-1)

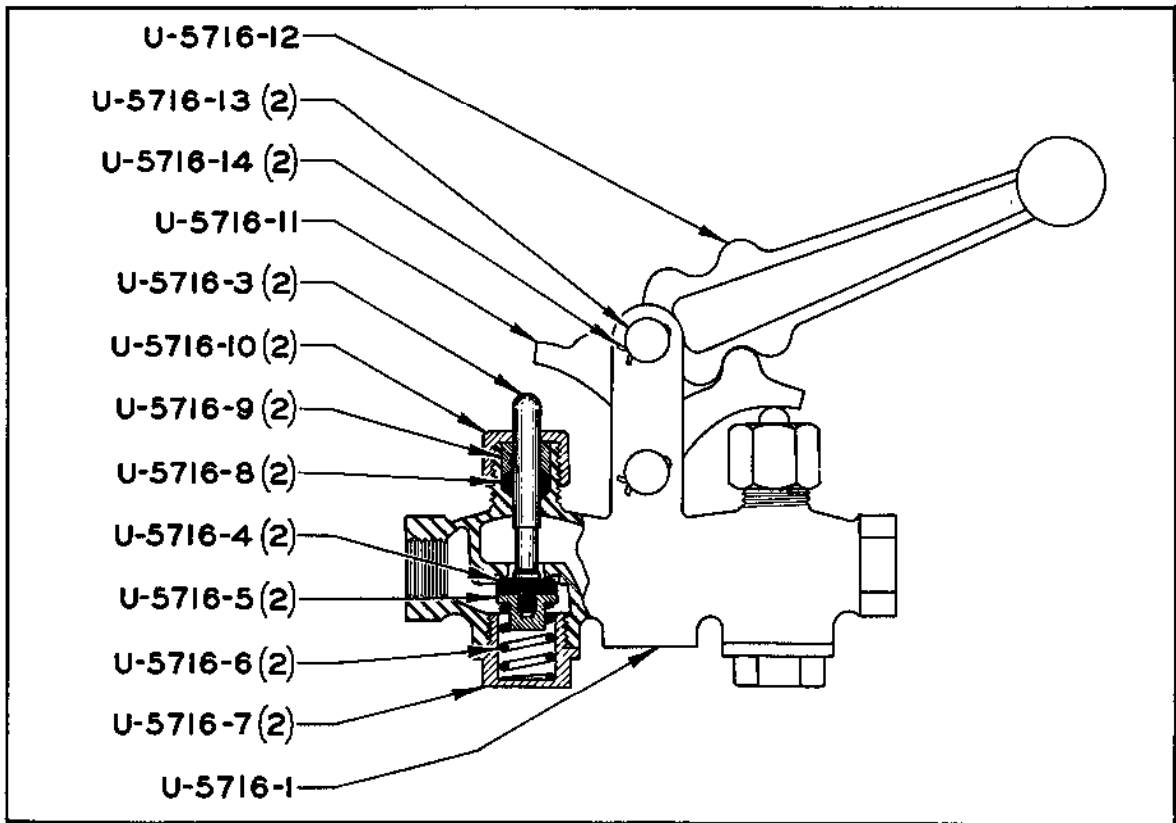


FIGURE 19 MODEL 394032-3 DUAL AIR VALVE

H-2-3
H-3 Series
H-8-1
-9-1

PANZITTA SALES & SERVICE
72 George Avenue
Wilkes-Barre, PA 18705
570-822-6720 800-822-6720
www.panzittasales.com

ALEMITE
A Division of
STEWART-WARNER
CORPORATION

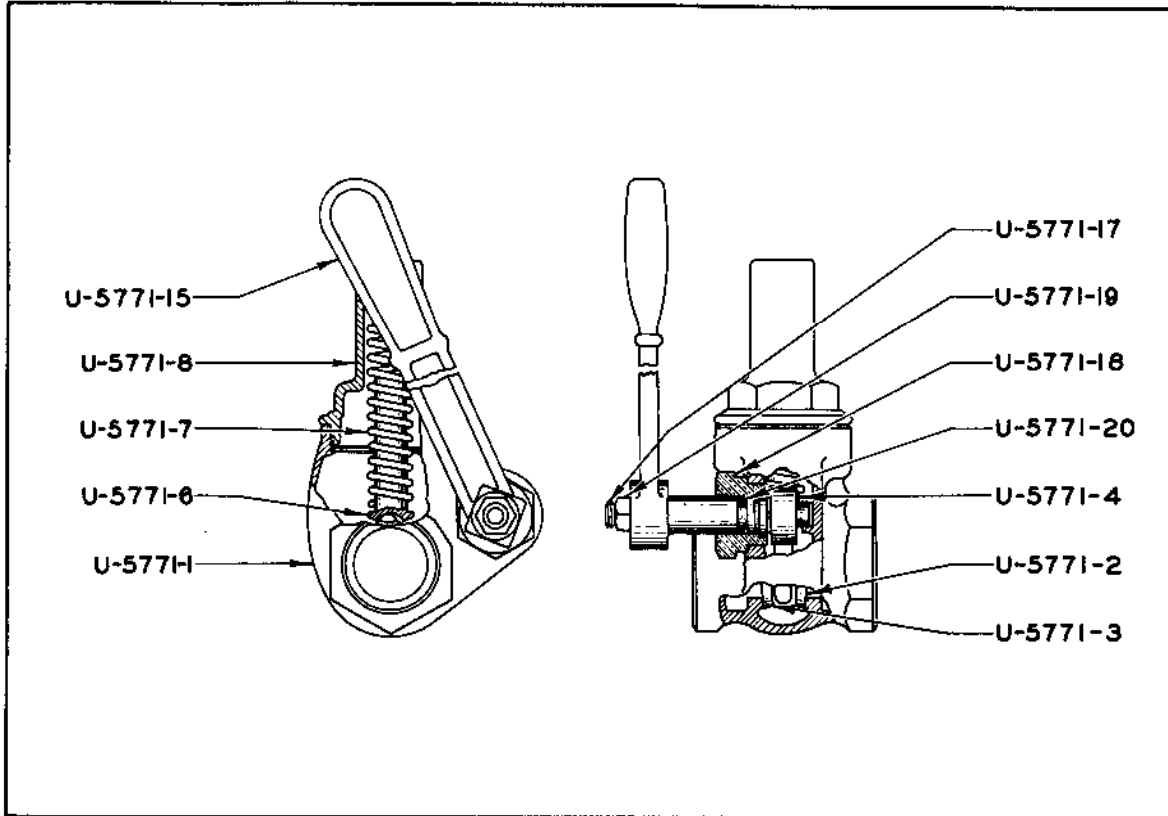


FIGURE 20 394032-4 QUICK ACTING OIL VALVE 1-1/4" OPENING

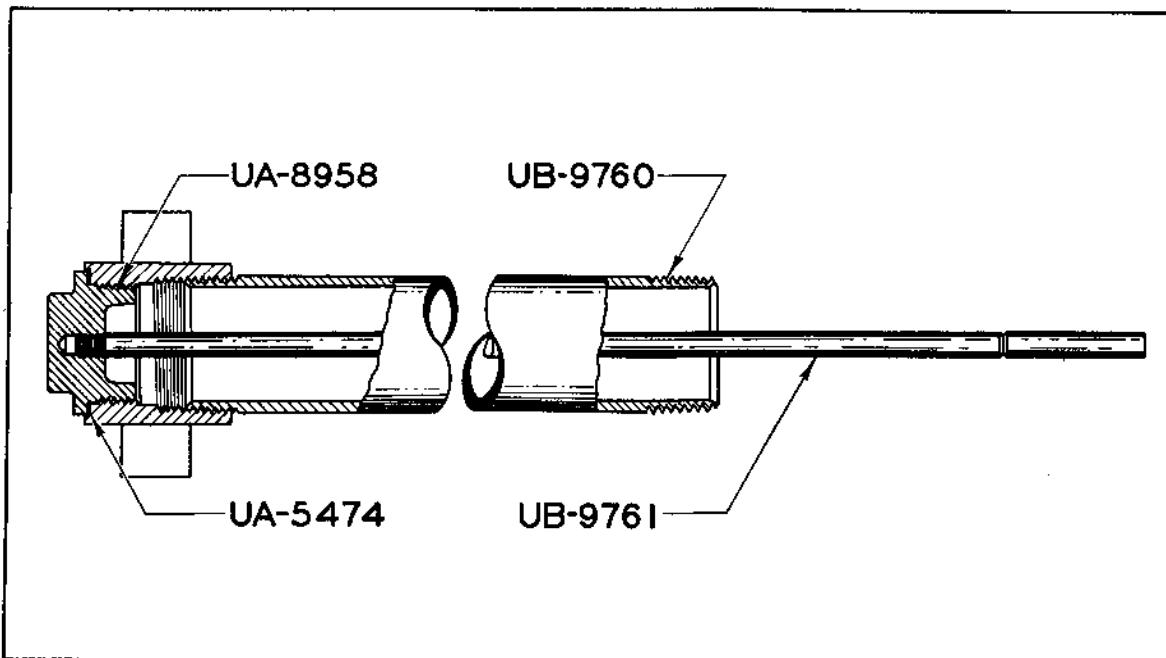


FIGURE 21 UB-9759 FILL TUBE ASSEMBLY



PANZITTA SALES & SERVICE
 72 George Avenue
 Wilkes-Barre, PA 18705
 570-822-6720 800-822-6720
 www.panzittasales.com

H-2-3
 H-3 Series
 H-8-1
 H-9-1

**COMPOSITE PARTS LIST FOR
 MODELS H-2-3, H-3-2, H-3-3, H-3-4, H-8-1, AND H-9-1
 TWO POST AUTOMOTIVE LIFTS**

PART NO.	DESCRIPTION
U-271-H	Top Brg. Attach. Screw 1-1/4"
(3) U-430ES	Oil Valve Body Assembly
U-430JN	Set Screw 5/16-18 x 3/4"
UB-565	Top Bearing
(32) U-1501-12-12	Hose Coupler Union Ell 3/4"
UA-1898	Flange Gasket
U-2222	Cotter Pin 1/8 x 1-1/4"
U-2231	Cotter Pin 5/32 x 1-1/2"
U-2240	Cotter Pin 3/16 x 1-1/4"
UA-2309	Felt Wiper 1/4 x 3/4 x 34"
U-2622-H	Stud Nut 5/8-11
U-2847	Lockwasher 5/8"
(6) U-3185	Nipple 1/2" x close
(12) U-3187	Nipple 1/2 x 2-1/2"
(10) U-3197	Nipple 1/2 x 5"
(11) U-3201	Nipple 1/2 x 6"
(9) U-3229	Pipe 1/2 x 16"
(21) U-3241	Nipple 3/4" x close
(24) U-3244	Nipple 3/4 x 2"
(28) U-3246	Nipple 3/4 x 2-1/2"
(22) U-3256	Nipple 3/4 x 5"
(25) U-3260	Nipple 3/4 x 6"
(26) U-3262	Nipple 3/4 x 6-1/2"
(23) U-3276	Nipple 3/4 x 10"
(29) U-3278	Nipple 3/4 x 10-1/2"
(34) U-3296	Pipe 3/4 x 83"
(33) U-3297	Pipe 3/4 x 102"
(14) U-3311	Nipple 3/4 x 4"
(19) U-3323	Nipple 1" x 7"
(16) U-3335	Nipple 1" x 10"
(8) U-3764	Ell 1/2"
(30) U-3765	Ell 3/4"

PART NO.	DESCRIPTION
(15) U-3766	Ell 1"
(7) U-3839	Street Ell 45° x 1/2"
(17) U-3886	Pipe Plug 1"
(18) U-3906	Tee 1"
(13) U-3969	Tee 3/4 x 3/4 x 1"
(5) U-4042	G.J. Union 1/2"
(27) U-4043	Union 3/4"
(20) U-4044	Union 1"
UA-5474	Fill Cap Gasket
U-5715	Quick Acting Oil Valve 1"
U-5716-1	Valve Body
U-5716-3	Stem
U-5716-4	Stem Washer
U-5716-5	Washer Retainer
U-5716-6	Valve Spring
U-5716-7	Valve Cap
U-5716-8	Valve Packing
U-5716-9	Packing Gland
U-5716-10	Packing Nut
U-5716-11	Rocker Arm
U-5716-12	Arm Handle
U-5716-13	Handle Pin
U-5716-14	Cotter Pin
U-5771-1	Body
U-5771-2	Male Disc
U-5771-3	Female Disc
U-5771-4	Lifter
U-5771-6	Spring Button
U-5771-7	Valve Spring
U-5771-8	Cap
U-5771-15	Lever
U-5771-17	Stem

(Parts List continued on next page)

H-2-3
H-3 Series
H-8-1
H-9-1



(Continued from preceding page)

PART NO.	DESCRIPTION	PART NO.	DESCRIPTION
U-5771-18	Side Cap	(35) UA-11688	Pipe Duct 4" x 81"
U-5771-19	Stem Nut	(31) UA-11690	Hydraulic Hose Assem. 3/4"
U-5771-20	"O" Ring	UD-11708	Cylinder Dolly Assembly
UA-8958	Oil Fill Plug	UD-11713	Cylinder Assembly
UC-9015	Rear Axle Block Assembly	UD-11719	Piston Assembly
UD-9015	Axle Support Assembly	UD-11720	Front Cylinder Assembly
UD-9050	Rear Superstructure Assem.	UD-11724	Piston Bearing
UC-9095	Swivel Bracket	UA-11725	Spring
UA-9096	Roller	UC-11726	Male Adaptor
UB-9098	Roller Axle	UC-11727	Packing Retainer
UA-9115	Link	UA-11728	Wiper
UC-9119	Packing Retainer Stop Ring	UD-11737	Cylinder Assembly
UA-9123	Pin 7/8 x 3-3/8" long	UD-11739	Piston Assembly
UD-9381	Superstructure Assembly	UD-11740	Rear Cylinder Assembly
UD-9390	Safety Saddle Assembly	U-11820-73	"O" Ring 9" O.D.
UC-9393	Non-Rotating Assembly	U-11851	Round Packing 7/8 x 36"
(2) UA-9445	Exhaust Muffler	U-11861	Square Packing 7/8" x 36"
UB-9759	Fill Tube Assembly	UD-11871	Front Saddle Assembly
UB-9760	Fill Tube	UD-11872	Rear Saddle Assembly
UB-9761	Dip Stick	UA-11885	"V" Packing
UB-11110	Tank Assembly	UGM-122119	Leveling Jack Bolt 3/8-16 x 3/4"
UD-11210	Piston and Cylinder Assembly	322700	Grease Fitting
UD-11210-9	Piston & Cyl./Non-Rotating Dev.	(1) 394032-3	Dual Air Valve
UC-11211	Cylinder Assembly	394032-4	Quick Acting Oil Valve 1-1/4"
UD-11216	Piston Machining Assembly	U-427639-GM	Castle Nut 3/4-16
(4) UB-11679	Handle Assembly for Oil Valves	U-446256-GM	Washer 1-3/4" O.D.

IMPORTANT NOTE:

When ordering Replacement Parts, it is imperative that you enclose the Model Number and Serial Number of the Lift with your order.

PANZITTA SALES & SERVICE
72 George Avenue
Wilkes-Barre, PA 18705
570-822-6720 800-822-6720
www.panzittasales.com