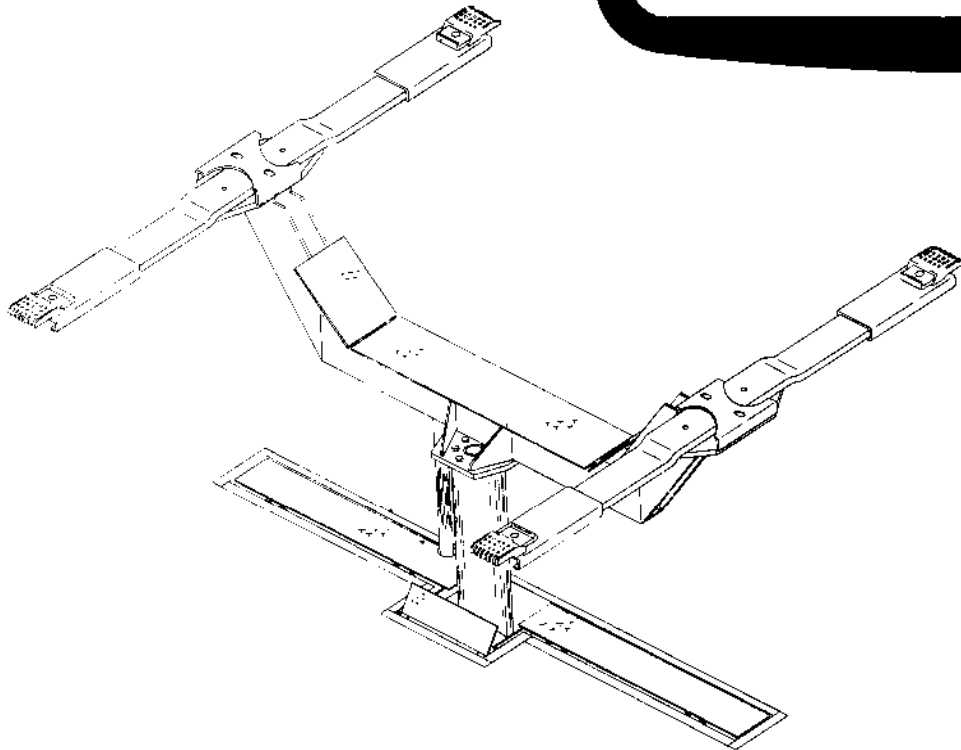


SPEC 3882 (Semi Hydraulic)
SPEC 3883 (Full Hydraulic)
THIS LIFT IS DESIGNED FOR
PASSENGER CARS
(NOT RECOMMENDED FOR
ANY TYPE TRUCK OR VAN)

SERVICE MANUAL AND PARTS LIST

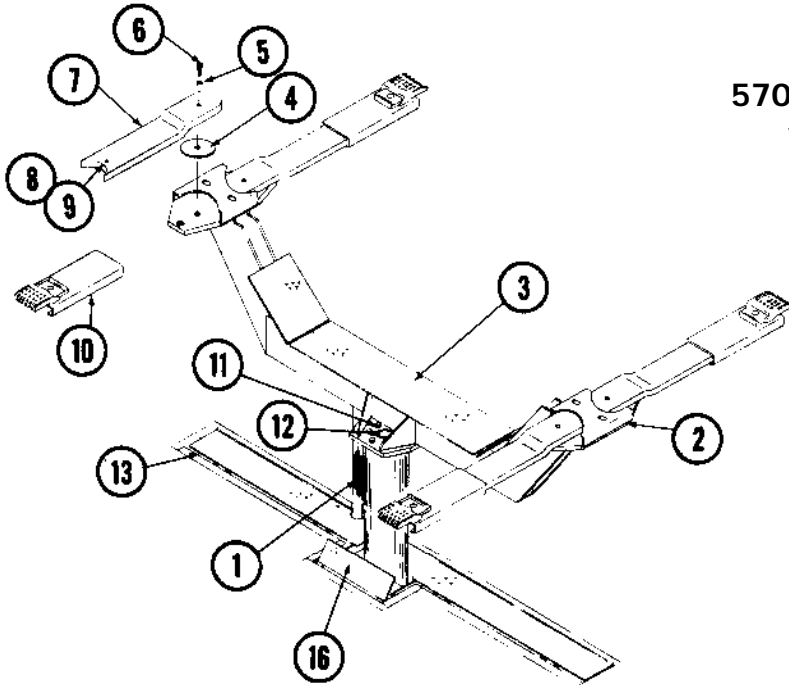
FRAME YOKE - DRIVE THRU
SINGLE POST LIFT
FYDT - 10 SERIES II



INSTALLATION • OPERATION • CARE

PANZITTA SALES & SERVICE
72 George Avenue
Wilkes-Barre, PA 18705
570-822-6720 800-822-6720
www.panzittasales.com

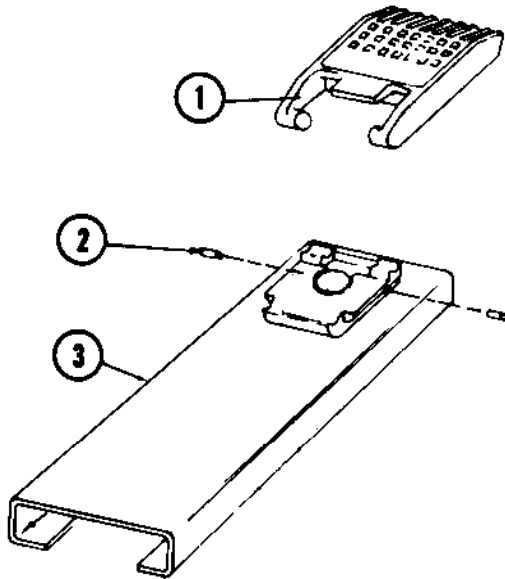
PANZITTA SALES & SERVICE
 72 George Avenue
 Wilkes-Barre, PA 18705
 570-822-6720 800-822-6720
 www.panzittasales.com



REF. NO.	PART NO.	QUANT'Y.	DESCRIPTION	REF. NO.	PART NO.	QUANT'Y.	DESCRIPTION
1	C43720-6	1	A.L. Plunger	11	438xI18	5	S.H.C.S. 7/8"-9NC x 2-1/4"
2	D43715	1	Yoke Assembly	12	A43293	1	Access Cover
3	B43262	1	Folding Cover Assembly				(Full Hydraulic Only)
4	B32101-2	4	Wear Washer	13	D43789	1	Pitframe & Door Ass'y.
5	A40689	4	Spacers-Arm Pivot	14	A4325	2	Vehicle Locator
6	426xG-N14	4	Locking Cap Scr. 5/8"-11NCx1-3/4"	15	A40690	4	Concrete Anchors <input type="checkbox"/> Not Shown
7	B42936	4	Arm Ass'y. Offset	16	C43807	1	Cam Door Ass'y
8	367x015	4	Plug				(Included In Item 13)
9	413xI008	4	Rivet				
10	C34354	4	Pad & Sleeve Ass'y.				

PANZITTA SALES & SERVICE
72 George Avenue
Wilkes-Barre, PA 18705
570-822-6720 800-822-6720
www.panzittasales.com

PAD AND SLEEVE ASSEMBLY (4 POSITION)



REF. NO.	PART NO.	QUANT'Y.	DESCRIPTION
1	B34355	1	Lifting pad
2	359XH0750	2	Stop Pin
3	C37654	1	Sleeve & Swivel Base Ass'y.
	C34354		Complete Assembly

**BS CYLINDER ASSEMBLY – FULL HYDRAULIC
TYPE "WA" CYLINDER (67-1/2" STROKE)**

REF. NO.	PART NO.	QUANT'Y.	DESCRIPTION
----------	----------	----------	-------------

C-35574-10	1	1	BS Cylinder Ass'y. Complete
------------	---	---	-----------------------------

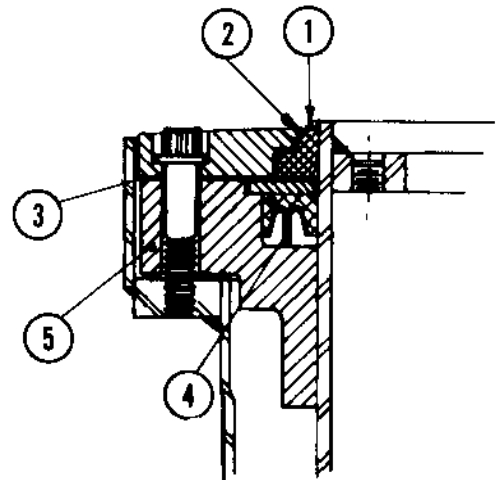
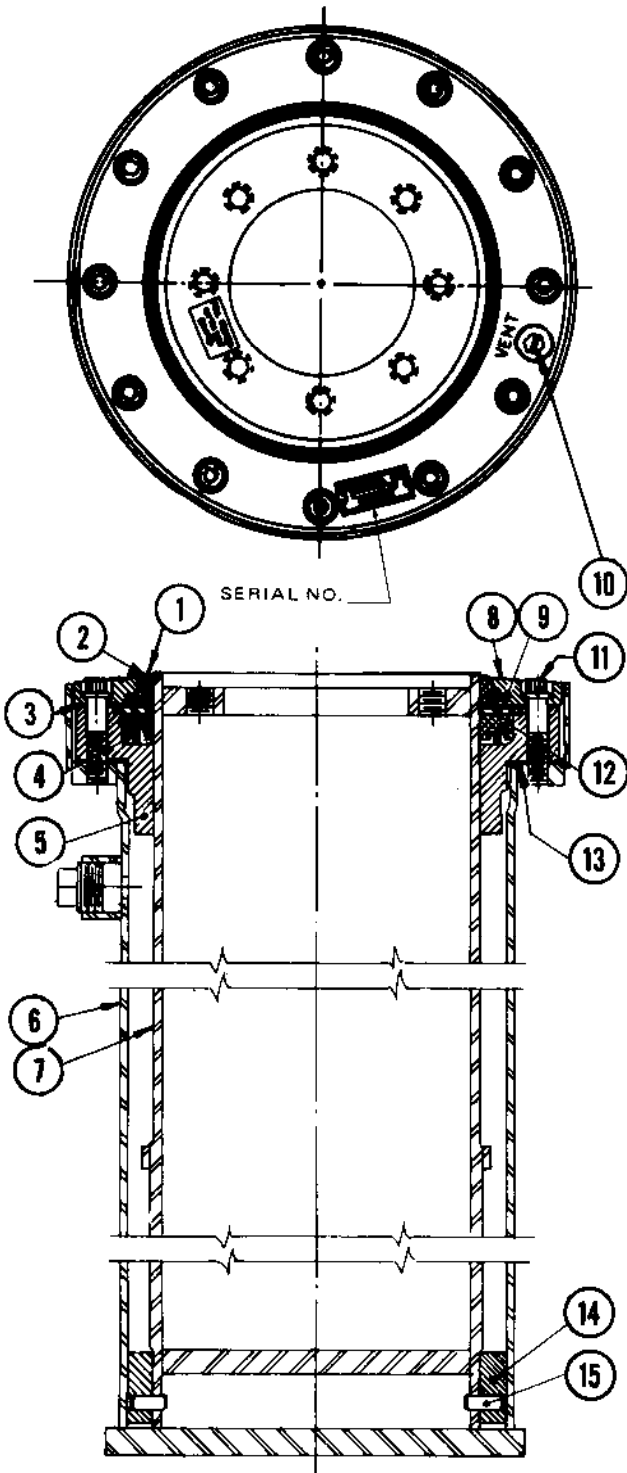
1	335x10	1	Wiper Packing
2	549x10	1	Wiper Spring
3	B-35992	1	Wiper Seal Gasket
4	B-37354	1	Packing Spring
5	B-35055	1	Upper Guide Bearing
6	B-35573-6	1	Casing Assembly
7	B-35570-12	1	Plunger Assembly
8	B-35054	1	Wiper Seal Cover
9	B-35056	1	Holder Ring
10	B-37353	1	Bleeder Plug
11	438xG22	12	5/8-11x2-3/4 Cap Screw
12	323x10	1	"U" Packing
13	B-35052	1	Flange Gasket
14	B-41569	1	Lower Guide Bearing
15	359xM1250	2	Spring Pin

NOTE:

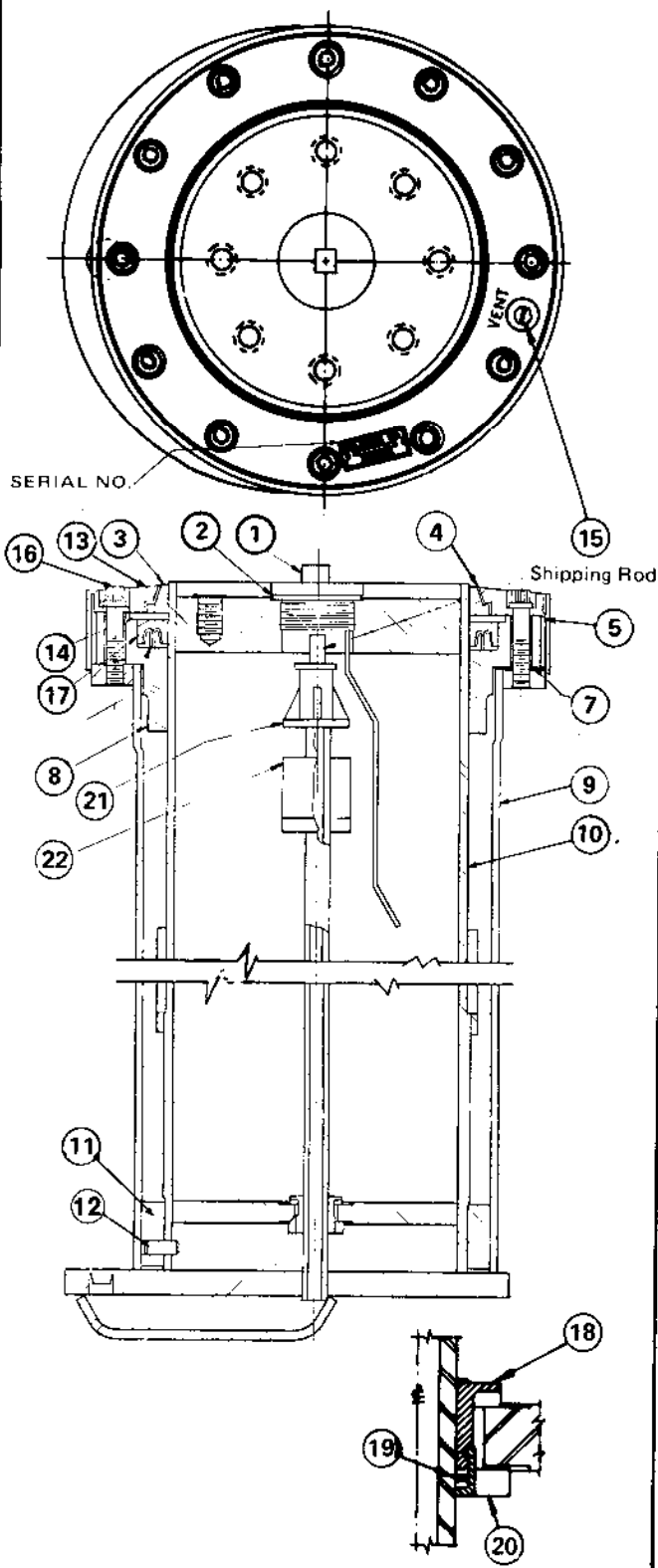
Items 1, 2, 3, 4, 12 & 13 are
Supplied in Kit UW-102.

CYLINDER SERIAL NO.

10-134



**AS CYLINDER ASSEMBLY - SEMI-HYDRAULIC
TYPE "WB" CYLINDER (67-1/2" STROKE)**



REF. NO.	PART NO.	QUANT'Y.	DESCRIPTION
----------	----------	----------	-------------

C-42205		1	ASL Cylinder Ass'y. Complete (With LOC)
---------	--	---	---

1	B-41538	1	Access Plug & Dipstick Ass'y.
2	204x3	1	Access Plug Gasket
3	335x10	1	Wiper Packing
4	549x10	1	Wiper Spring
5	B-35992	1	Wiper Seal Gasket
6	B-37354	1	Packing Spring
7	B-35052	1	Flange Gasket
8	B-35055	1	Upper Guide Bearing
9	B-38701-3	1	Casing Assembly
10	B-38702-4	1	Plunger Assembly
11	B-41569	1	Lower Guide Bearing
12	359xM1250	2	Spring Pin
13	B-35054	1	Wiper Seal Cover
14	B-35056	1	Holder Ring
15	B-37353	1	Bleeder Plug
16	438xG22	12	5/8-11x2-3/4 Cap Screw
17	323x10	1	"U" Packing
18		1	Orifice Bushing
19	Kit No. A43457	1	Quad Ring
20		1	Orifice Retainer

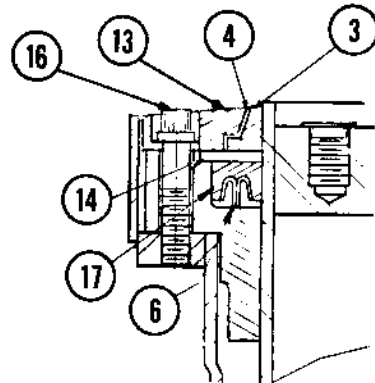
ASL (LOW OIL CONTROL) ASSEMBLY ONLY

21	A-41085	1	Float Stop
22	A-39183	1	Float

NOTE:

Items 3, 4, 5, 6, 7 & 17 are
Supplied in Kit UW-102.

**CYLINDER SERIAL NO.
10-132**



AIR VALVE PARTS

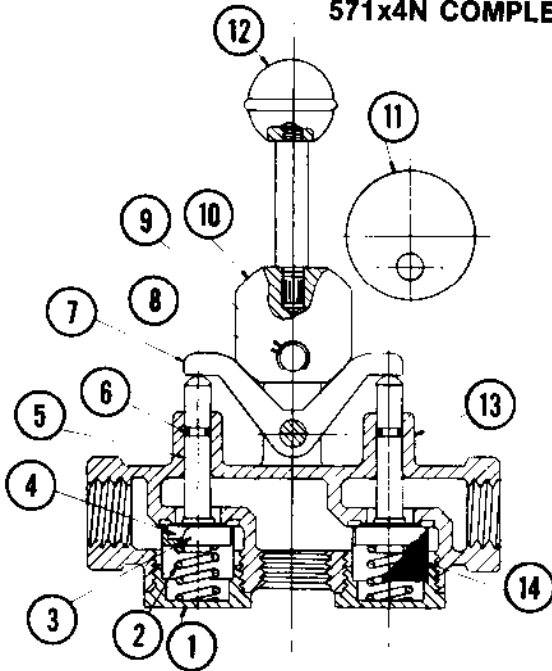
Should the air control valve leak, it may be due to a scored valve disc or seat. This is caused by grit, sand or pipe cuttings lodged on valve seat and forced into composition disc when the valve is closed. Valve can be repaired without removing it from the pipe line. Unscrew

bottoms of lever valves, clean screen seat and disc. If seat is scored, grind out score.

Leakage may occur around valve stem. To correct, lubricate stem and tighten down on packing nut.

571x4L COMPLETE VALVE ASSEMBLY (LOCKING)

571x4N COMPLETE VALVE ASSEMBLY (NON-LOCKING)



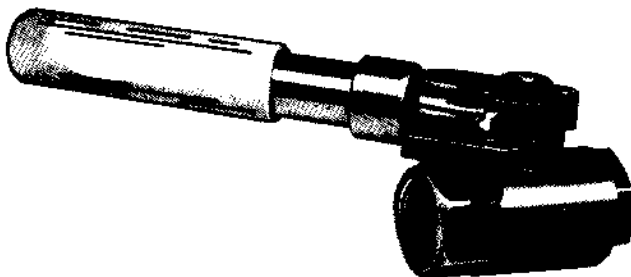
Ref. No.	Quan.	Part No.	Description
1	2	B43414-1	Cap
2	2	B43414-2	Spring
*3	2	B43414-3	Seat Holder
*4	2	B43414-4	Seat Disc
*5	2	B43414-5	Stem
*6	2	B43414-6	"O" Ring
7	1	B43414-7	Rocker
8	2	B43414-8	Clevis Pin
9	4	B43414-9	Retaining Ring
10	1	B43414-10	Cam Ass'y (Lock)
11	1	B43414-11	Cam Ass'y (Non-Lock)
12	1	B43414-12	Knob
13	1	B43414-13	Body
14	2	B43414-14	Screen
15	1	B43414-15	Tag

*These items included in:
B43414-16 Replacement Stem Ass'y

OIL VALVE PARTS

601x8 - 1" BALL VALVE - UNION END - COMPLETE VALVE ASSEMBLY

603x8 - 1" BALL VALVE - SPRING RETURN - COMPLETE VALVE ASSEMBLY--(WALL CONTROL USAGE)



PANZITTA SALES & SERVICE

72 George Avenue

Wilkes-Barre, PA 18705

570-822-6720 800-822-6720

www.panzittasales.com

A43780 - SERVICE KIT

CONTAINS:

SEAT (2), PACKING & BEARING

