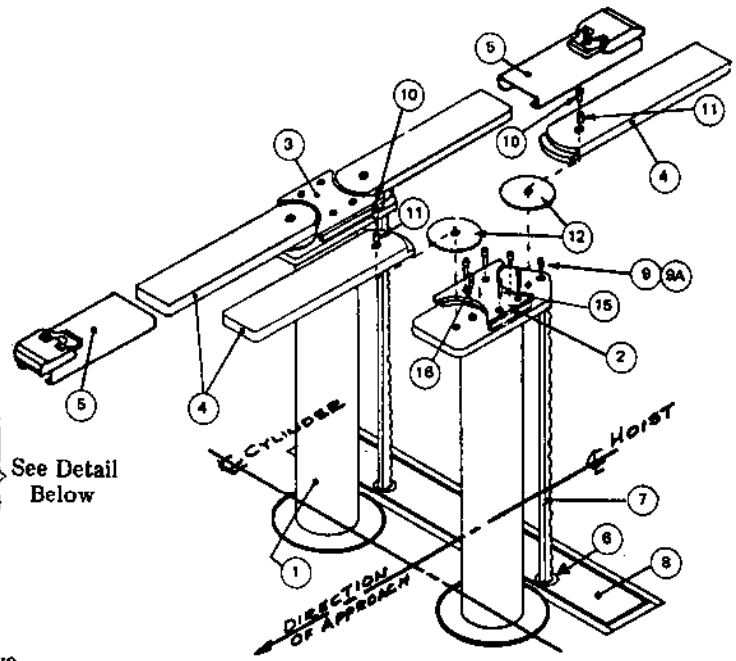


FS-27

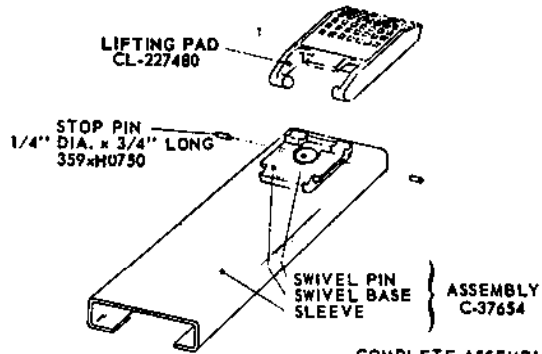
HOIST PARTS

PARTS LIST

Ref.	Quan.	Part No.	Description
1	(2)	C-37464	7-1/2" Cylinder Assembly
	(2)	B-37500-8	Cylinder Casing Only
	(2)	B-37452	Plunger Assembly Only
2	(1)	C-35505	Bolster Left Hand
3	(1)	C-35505-1	Bolster Right Hand
4	(4)	B-35581	Swivel Arms
5	(4)	C-34354-1	Pad & Sleeve Assembly
6	(2)	B-39086	Stabilizer Housing
7	(2)	B-39818	Stabilizer Rack
8	(1)	B-30577-7	Pitform Assembly
	(1)	B-33207-4	Stabilizer Shaft
	(2)	B-41384	Stabilizer Bkt. Assembly
	(2)	B-39999	Stabilizer Gear Assembly
	(1)	B-35365-4	Cylinder Spacer Channel
	(1)	B-35366-3	Cylinder Spacer Angle
	(1)	B-37905-3	Fill Plug
	(1)	B-37904-1	Gauge Stick Assembly
	(1)	B-30709	Positioning Rod
	(2)	B-33243-6	Locking Bar 9/16" x 10"
	(1)	CL-326910	Wheel Stop
	(4)	A-40690	5/16" x 1-1/2" Rawl Drive
9	(2)	913931	Hex. Hd. Scr. 5/8"-11NC x 1-3/4"
9A	(2)	913932	Washer
10	(4)	513149	5/8"-11NC x 1-3/4" Soc. Hd. Cap Screw
11	(4)	A-40689	Arm Pivot Spacer
12	(4)	B-32101-2	Arm Pivot Washer
13	(4)	430xE16	Hex Hd. Cap Screw 1/2"-13 NC x 2" Lg.
14	(8)	430xE18	Hex. Hd. Scr. 1/2"-13NC x 2-1/4"
15	(8)	438xG28	5/8"-11NC x 3-1/3" Soc. Hd. Cap Screws
16	(4)	438xG16	5/8"-11NC x 2" Soc. Hd. Cap Screws



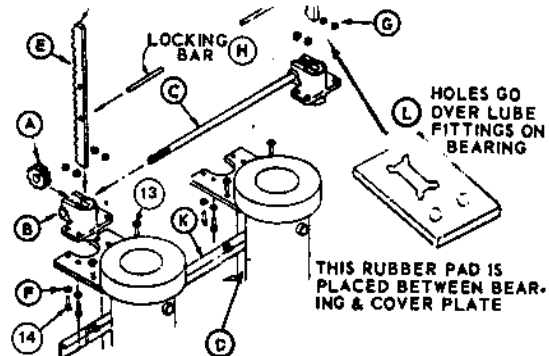
**ADAPTER PARTS - 4 POSITION
(FOR 1 1/2" x 6" ARM)**



STABILIZER PARTS (FOR 36" POST CENTERS)

A	(2)	B-39999	Stabilizer Gear
B	(2)	B-41384	Stabilizer Bkt. Assembly
C	(1)	B-33207-4	Stabilizer Shaft (41" Lg.)
D	(2)	B-39086	Stabilizer Housing
E	(2)	B-39818	Stabilizer Rack
F	(8)	635x10	1/2" Lock Washers
G	(8)	285x5	1/2"-13NC Hex Nuts
H	(2)	B-33243-6	Locking Bar
J	(1)	B-35365-4	Cylinder Spacer Channel (51-1/2")
K	(1)	B-35366-3	Cylinder Spacer Angle (53-7/8")
L	(2)	B-37980	Rubber Grommet

**STABILIZER ASSEMBLY
(WITH 36" POST CENTERS)**



NOTE: Ordering replacement stabilizer system parts please give distance between Q_L of cylinders