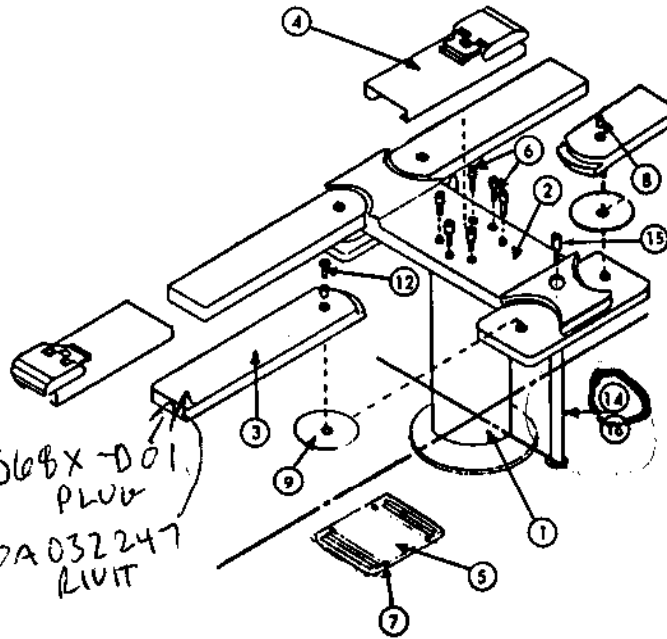


**FS-10 & FB-10
 HOIST PARTS**

PARTS LIST

Ref.	Quan.	Part No.	Description
<u>FS-10-AS</u>			
1	(1)	C-38700	Cylinder Assembly
	(1)	B-38701	Cylinder Casing Only
	(1)	B-38702	Plunger Assembly
<u>FS-10-BS</u>			
1	(1)	C-35574-1	Cylinder Assembly
	(1)	B-35573-1	Cylinder Casing Only
	(1)	B-35570	Plunger Assembly
<u>FS-10-ASL</u>			
1	(1)	C-38700-4	Cylinder Assembly
	(1)	B-38701	Cylinder Casing Only
	(1)	B-38702	Plunger Assembly
<u>FB-10-AS</u>			
1	(1)	C-38700-8	Cylinder Assembly
	(1)	B-38701-2	Cylinder Casing Only
	(1)	B-38702-3	Plunger Assembly
<u>FB-10-BS</u>			
1	(1)	C-35574-5	Cylinder Assembly
	(1)	B-35573-3	Cylinder Casing Only
	(1)	B-35570-2	Plunger Assembly



CONTROLS

FS-10-AS & ASL/FB-10-AS

- (1) 571x4D 1/2" Air Control Valve
- (1) A-30080 Air Exhaust Muffler

FS-10 & FB-10-BS

- (1) 571x4C 1/2" Air Control Valve
- (1) 581x10 1-1/4" Oil Control Valve
- (1) A-30080 Air Exhaust Muffler
- (1) AC-30429 16" x 48" Oil Tank
- (1) B-37905-5 Oil Fill Pipe
- (1) B-37904-3 Oil Gauge Stick

COMMON PARTS

- 2 (1) C-35584-11 Bolster Assembly
- 3 (4) B-35581 Swivel Arms
- 4 (4) ~~G-34354-1~~ Pad & Sleeve Assembly
- 5 (1) CL-326910 Wheel Stop
- 6 (6) 438x118 7/8"-9NC x 2-1/4" Soc. Hd. Cap. Screw
- 7 (4) A-40690 Rawl Drive Plugs
- 8 (4) A-40689 Spacers
- 9 (4) B-32101-2 Washers
- 10 (1) A-34837-2 Wrench
- 11 (1) B-30709 Positioning Rod
- 12 (4) 513149 Soc. Hd. Scr. 5/8"-11NC x 1-3/4"

NON-ROTATORS

FS-10 ONLY

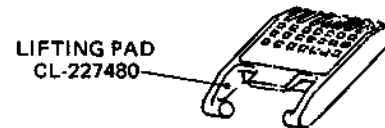
- 13 (1) B-35618-1 Casing Only
- (1) B-39094-7 Plunger (Pin Type)
- 15 (1) 438x128 Soc. Hd. Scr. 7/8"-9NC x 3-1/2"

FB-10 ONLY

- 13 (1) B-35618-3 Casing Only
- 14 (1) B-39094-10 Plunger
- 15 (1) 438x128 Soc. Hd. Scr. 7/8"-9NC x 3-1/2"

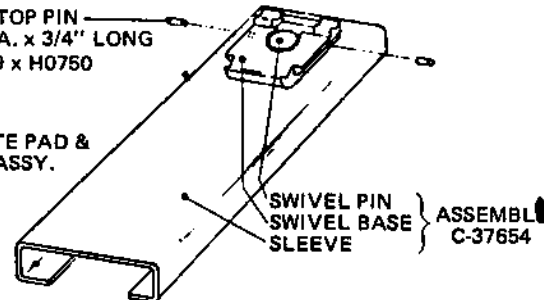
NOTE: For cylinder detail & packing information see pages 14, 15 & 16

ADAPTER PARTS - 4 POSITION



STOP PIN
 1/4" DIA. x 3/4" LONG
 359 x H0750

COMPLETE PAD & SLEEVE ASSY.
 C-34354-1



Handwritten notes:
 4/11/88
 157.88
 2000