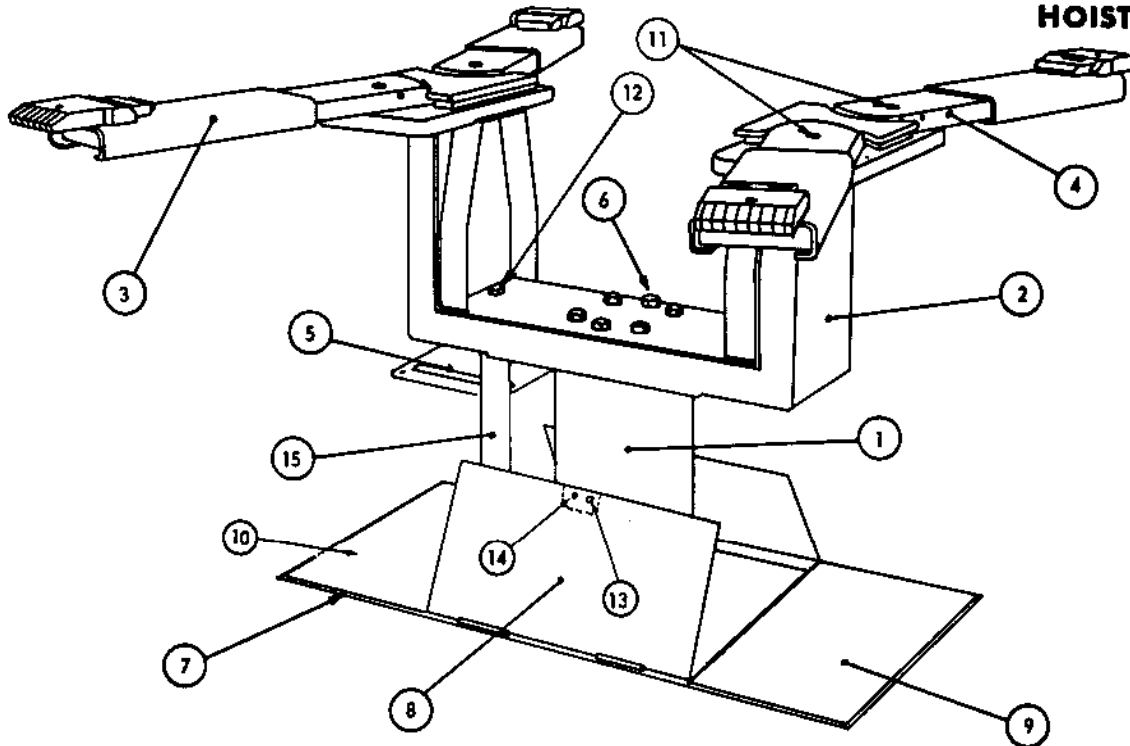


**FSY-10
 HOIST PARTS**



PARTS LIST

Ref. Quan.	Part No.	Description
FSY-10-AS		
1	(1) C-38700	Cylinder Assembly
	(1) B-38701	Cylinder Casing Only
	(1) B-38702	Plunger Assembly

FSY-10-BS		
1	(1) C-35574-1	Cylinder Assembly
	(1) B-35573-1	Cylinder Casing Only
	(1) B-35570	Plunger Assembly

FSY-10-ASL		
1	(1) C-38700-4	Cylinder Assembly
	(1) B-38701	Cylinder Casing Only
	(1) B-38702	Plunger Assembly

CONTROLS

FSY-10-AS & ASL		
(1)	571x4D	1/2" Air Control Valve
(1)	A-30080	Air Exhaust Muffler

FSY-10-BS		
(1)	571x4C	1/2" Air Control Valve
(1)	581x10	1-1/4" Oil Control Valve
(1)	A-30080	Air Exhaust Muffler
(1)	AC-30429	16" x 48" Oil Tank
(1)	B-37905-5	Oil Fill Pipe
(1)	B-37904-3	Oil Gauge Stick

COMMON PARTS

2	(1) C-39998	Work-thru Bolster
3	(4) C-34354-1	Pad & Sleeve Assembly
4	(4) B-35581	Swivel Arms
5	(1) CL-326910	Wheel Stop
6	(6) 430xI40	Hex Hd. 7/8"-9NC x 5" Lg.
7	(1) C-40394	Pitform Assembly

PARTS CONT'D.

Ref. Quan.	Part No.	Description
8	(2) B-39996	Cover Plate & Angle Assy.
9	(1) A-40395	Cover Assembly
10	(1) A-40395-1	Cover Assembly
11	(4) 513149	5/8"-11NC x 1-3/4" Soc. Hd. Screw
12	(1) 430xI48	7/8"-9NC x 6" Hex Hd. Scr.
13	(2) A-33114-1	Striker Block
14	(4) 434xA4	Attaching Screws

NON ROTATOR

15	(1) A-40598	Plunger
	(1) B-35618-1	Casing

AUTOMATIC LOCK & NON ROTATOR ASSEMBLY

15	(1) C-37121-2	Plunger
	(1) C-40099	Casing

AUTOMATIC LOCK RELEASE ASSEMBLY

(1)	A-40098	Pull Rod
(2)	A-40005	Pull Rod Lever
(3)	359xD0875	Spring Pin
(4)	A-40006	Latch Release

NOTE:

For cylinder and packing information see pages 14, 15 & 16.

