



SERVICE PARTS

Modesl FSR-28, FBH-28,
FSN-28 and FS-28

Automotive Two-Post

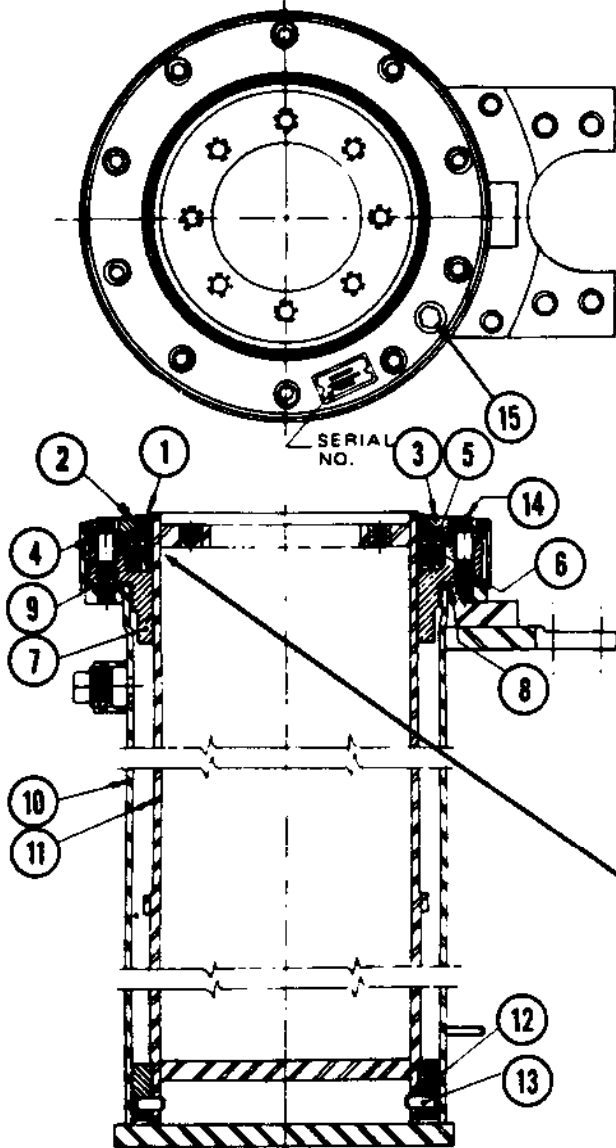
Stabilized Lift

with Automatic Lock

4. PARTS

PANZITTA SALES & SERVICE
 72 George Avenue
 Wilkes-Barre, PA 18705
 570-822-6720 800-822-6720
 www.panzittasales.com

Ref. No.	Part No.	Quantity	Description
	C-42977	1	BS Cylinder Assembly Complete
1	335x8	1	Wiper Packing
2	549x8		Wiper Spring
3	B-37440	1	Wiper Seal Cover
4	B-37444	1	Wiper Seal Gasket
5	B-37447	1	Holder Ring
6	323x8	1	"U" Packing
7	B-37441	1	Upper Guide Bearing
8	B-37446	1	Flange Gasket
9	B-37457	1	Packing Spring
10	B-42976	1	Casing Assembly
11	B-37442-13	1	Plunger Assembly
12	B-41584	1	Lower Bearing
13	359xM1250	2	Spring Pin
14	438xG22	12	5/8-11x2 3/4 Cap Screw
15	118839	1	Bleeder Plug



Note: Items 1, 2, 4, 6 & 8 are supplied in Kit #UW-81.

CYLINDER SERIAL NO.
8-145

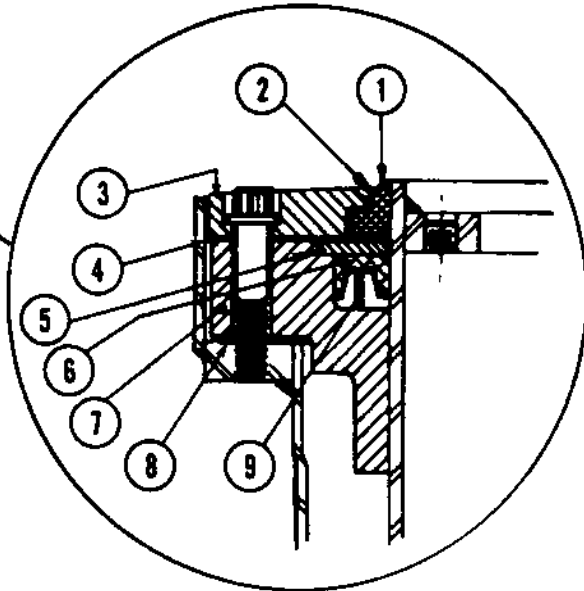
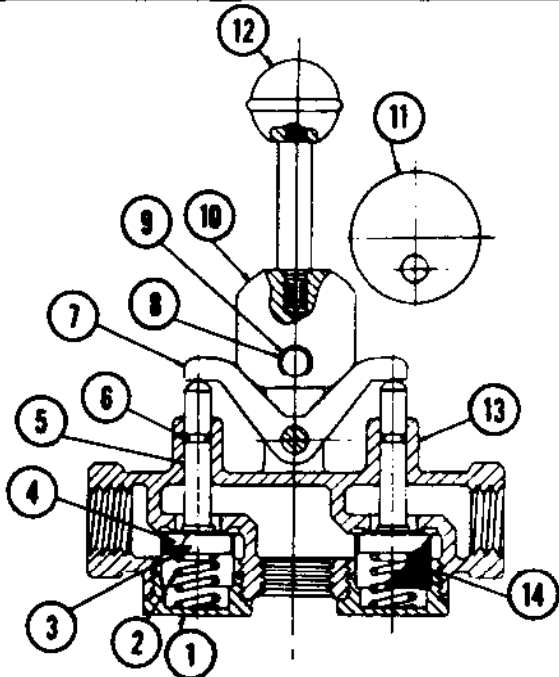


FIGURE 4-1. 8 1/2" BS CYLINDER ASSEMBLY
 Full Hydraulic
 Type "WA" Cylinder (67 1/2" Stroke)



Ref. No.	Part No.	Quantity	Description
1	B-43414-1	2	Cap
2	B-43414-2	2	Spring
3*	B-43414-3	2	Seat Holder
4*	B-43414-4	2	Seat Disc
5*	B-43414-5	2	Stem
6*	B-43414-6	2	"O" Ring
7	B-43414-7	1	Rocker
8	B-43414-8	2	Clevis Pin
9	B-43414-9	4	Retaining Ring
10	B-43414-10	1	Cam Assembly (Lock)
11	B-43414-11	1	Cam Assembly (Non-Lock)
12	B-43414-12	1	Knob
13	B-43414-13	1	Body
14	B-43414-14	2	Screen
15	B-43414-15	1	Tag

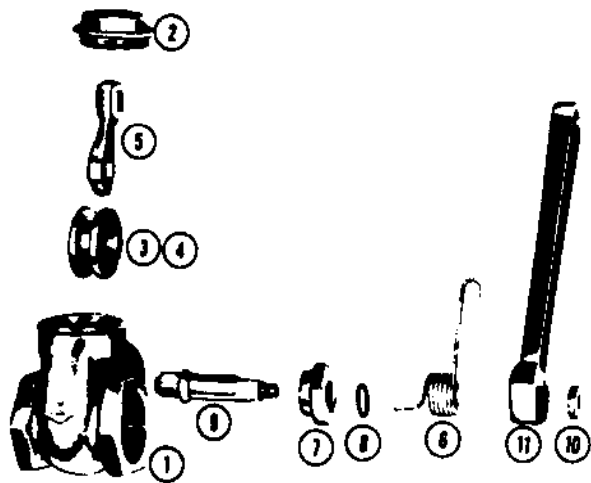
*These items included in B-43414-16 Replacement Stem Assembly.

Should the air control valve leak, it may be due to a scored valve disc or seat. This is caused by grit, sand or pipe cuttings lodged on valve seat and forced into composition disc when the valve is closed. Valve can be repaired without removing it from the pipe line. Unscrew

bottoms of lever valves, clean screen seat and disc. If seat is scored, grind out score.

Leakage may occur around valve stem. To correct, lubricate stem and tighten down on packing nut.

FIGURE 4-2. AIR VALVE PARTS
571 x 4L Complete Valve Assembly



Ref. No.	Part No.	Description
	580x10	Complete Valve
1	B-41986-1	Body
2	B-41986-2	Cap
3	B-41986-3	Set { Male Disc
4	B-41986-4	
5	B-41986-5	Lever
6	B-41986-6	Spring
7	B-41986-7	Bonnet
8	B-41986-8	"O" Ring
9	B-41986-9	Stem
10	B-41986-10	Handle Nut
11	B-41986-11	Lever Handle

PANZITTA SALES & SERVICE
72 George Avenue
Wilkes-Barre, PA 18705
570-822-6720 800-822-6720
www.panzittasales.com

FIGURE 4-3. OIL VALVE PARTS
580 x 10 Gate Valve 1 1/4"