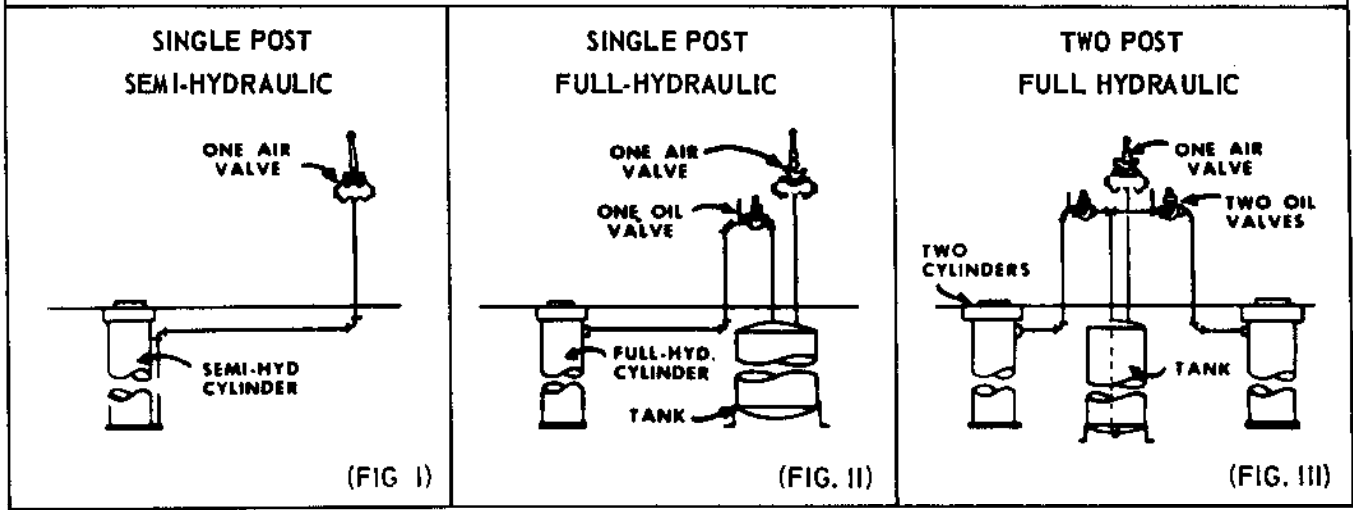
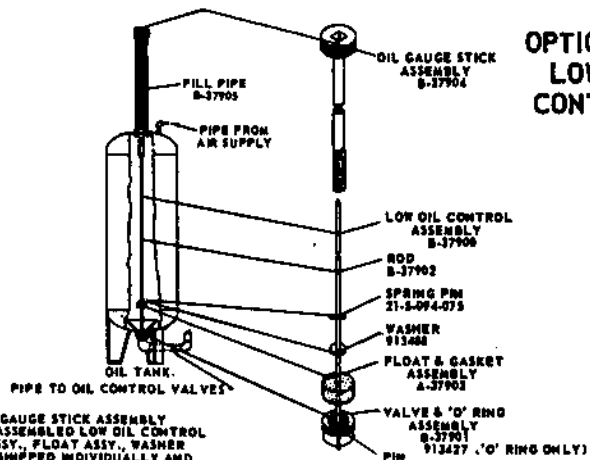
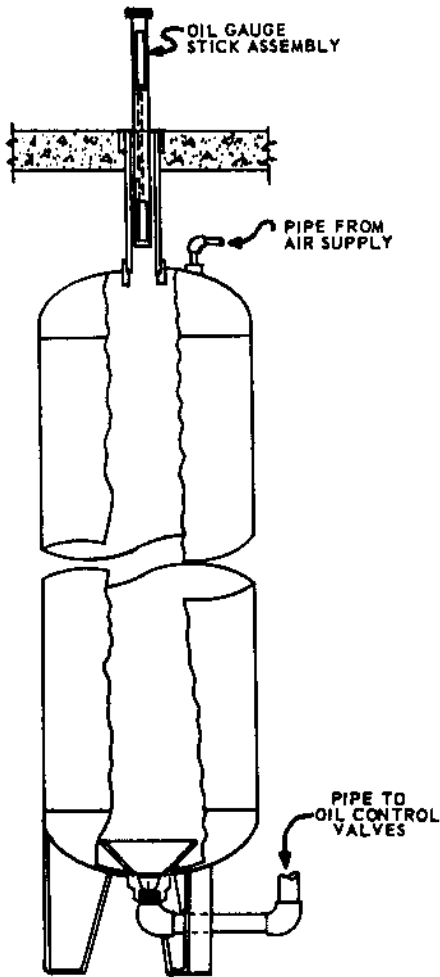


CONTROLS



**OIL STORAGE TANK SIZES
 For Full Hydraulic Only**

HOIST MODEL	CAP. @ 150 PSI	GALS. OIL TO FILL SYSTEM	CON-TROLS FIG.	GALS. DRAW OFF	TANK SIZE	FOR FULL HYDRAULIC ONLY		
						TANK PART NUMBER	GAUGE STICK PART NO.	FILL PIPE PART NUMBER
V-7-B5	5,500	55	II	27.5	16" DIA. x 48" LG.	AC-30429	B-37904-3	B-37905-5
FB-10-B5	8,000	41	II	13.9	16" DIA. x 48" LG.	AC-30429	B-37904-3	B-37905-5
ROWP-10-B5	8,000	55	II	23.2	16" DIA. x 48" LG.	AC-30429	B-37904-3	B-37905-3
FS & V-10 BS & FS Y	8,000	55	II	27.5	16" DIA. x 48" LG.	AC-30429	B-37904-3	B-37905-5
FS-27	8,000	75	II	26.8	16" DIA. x 48" LG.	AC-30429	B-37904-1	B-37905-3
FS-28	8,000	80	II	35.4	20" DIA. x 41" LG.	AC-30442	B-37904-7	B-37905-7
SR-78	9,000	80	III	31	16" DIA. x 48" LG.	AC-30429	B-37904-3	B-37905-5
SR & ER 28	10,000	80	III	35.4	20" DIA. x 41" LG.	AC-30442	B-37904-3	B-37905-5
SR & ER 810	14,000	95	III	45.2	20" DIA. x 55" LG.	AC-30443	B-37904-3	B-37905-5
ER-210	18,000	95	III	55.1	20" DIA. x 55" LG.	AC-30443	B-37904-3	B-37905-5
MP-27	11,000	50	III	27.1		11867		



**OPTIONAL
 LOW OIL
 CONTROL**

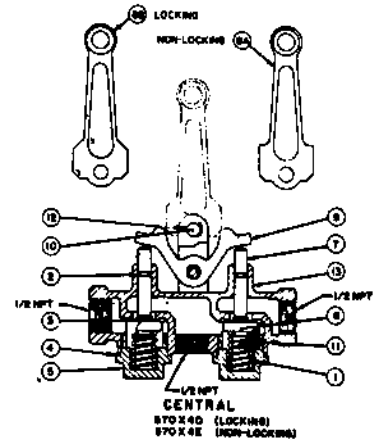
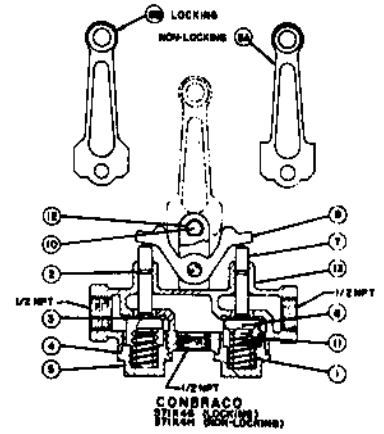
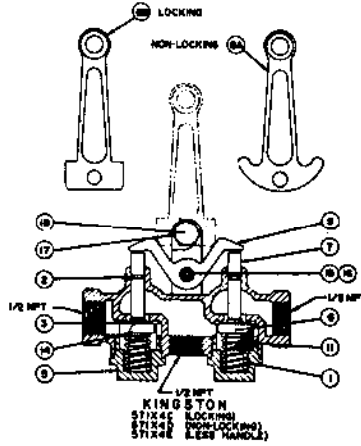
NOTE
 FILL PIPE, OIL GAUGE STICK ASSEMBLY AND FACTORY ASSEMBLED LOW OIL CONTROL (ROD, VALVE ASSY., FLOAT ASSY., WASHER AND PINS) ARE SHIPPED INDIVIDUALLY AND ARE TO BE ASSEMBLED WITH THE TANK AT INSTALLATION

CONTROL VALVE PARTS

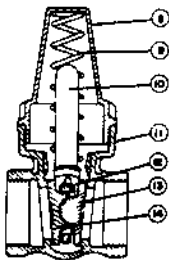
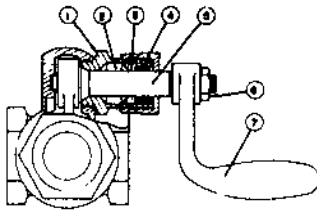
AIR VALVE

PANZITTA SALES & SERVICE
 72 George Avenue
 Wilkes-Barre, PA 18705
 570-822-6720 800-822-6720
 www.panzittasales.com

PART NUMBERS			
QTY	VALVE MANUFACTURER	QTY	DESCRIPTION
1	KINGSTON CONBRACO CENTRAL	2	SPRING
2	B4387-2	2	O-RING
3	B4387-3	2	SEAT WASHER
4	B4387-4	2	WASHER
5	B4387-5	2	BOTTOM CAP
6	B4387-6	2	CAGE
7	B4387-7	2	STEM
8A	B4387-8	1	HANDLE (NON-LDC)
8B	B4387-8	1	HANDLE (LOC)
9	B4387-9	1	ROCKER
10	B4387-10	2	PN
11	B4387-11	2	SCREEN
12	B4387-12	2	CLIP - CONBRACO
13	B4387-13	2	CLIP - CENTRAL
14	B4387-14	1	VALVE BODY
15	B4387-15	1	STEM NUT
16	B4387-16	1	ROCKER BOLT
17	B4387-17	1	ROCKER NUT
18	B4387-18	1	HANDLE BOLT
19	B4387-19	1	HANDLE NUT

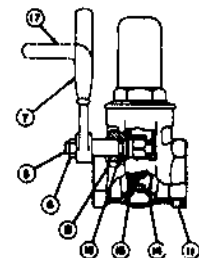
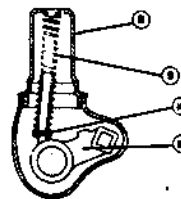


OIL VALVE



O P W
885 X 1

PART NUMBERS			
QTY	VALVE MANUFACTURER	QTY	DESCRIPTION
1	O P W BUCKEYE	1	STUFF BOX
2	B41383-2	1	PACKING
3	B41383-3	1	PACKING BLAND
4	B41383-4	1	PACKING SPRING
5	B41383-5	1	STEM
6	B41383-6	1	LEVER AJT
7	B41383-7	1	LEVER
8	B41383-8	1	CAP
9	B41383-9	1	CAP SPRING
10	B41383-10	1	SPRING GUIDE
11	B41383-11	1	BODY
12	B41383-12	1	CARRIER
13	B41383-13	1	MALE VALVE DRG
14	B41383-14	1	FEMALE VALVE DRG
15	B41383-15	1	PACKING NUT
16	B41383-16	1	O-RING
17	B41383-17	1	LEVER (OFFSET)



BUCKEYE
881510A (OFFSET HANDLE)
881510 (STRAIGHT HANDLE)