

**SERVICE PARTS**

Models SHRS-212E, D-SH-12E,

MP-10-12-10E, MP-1012E, and

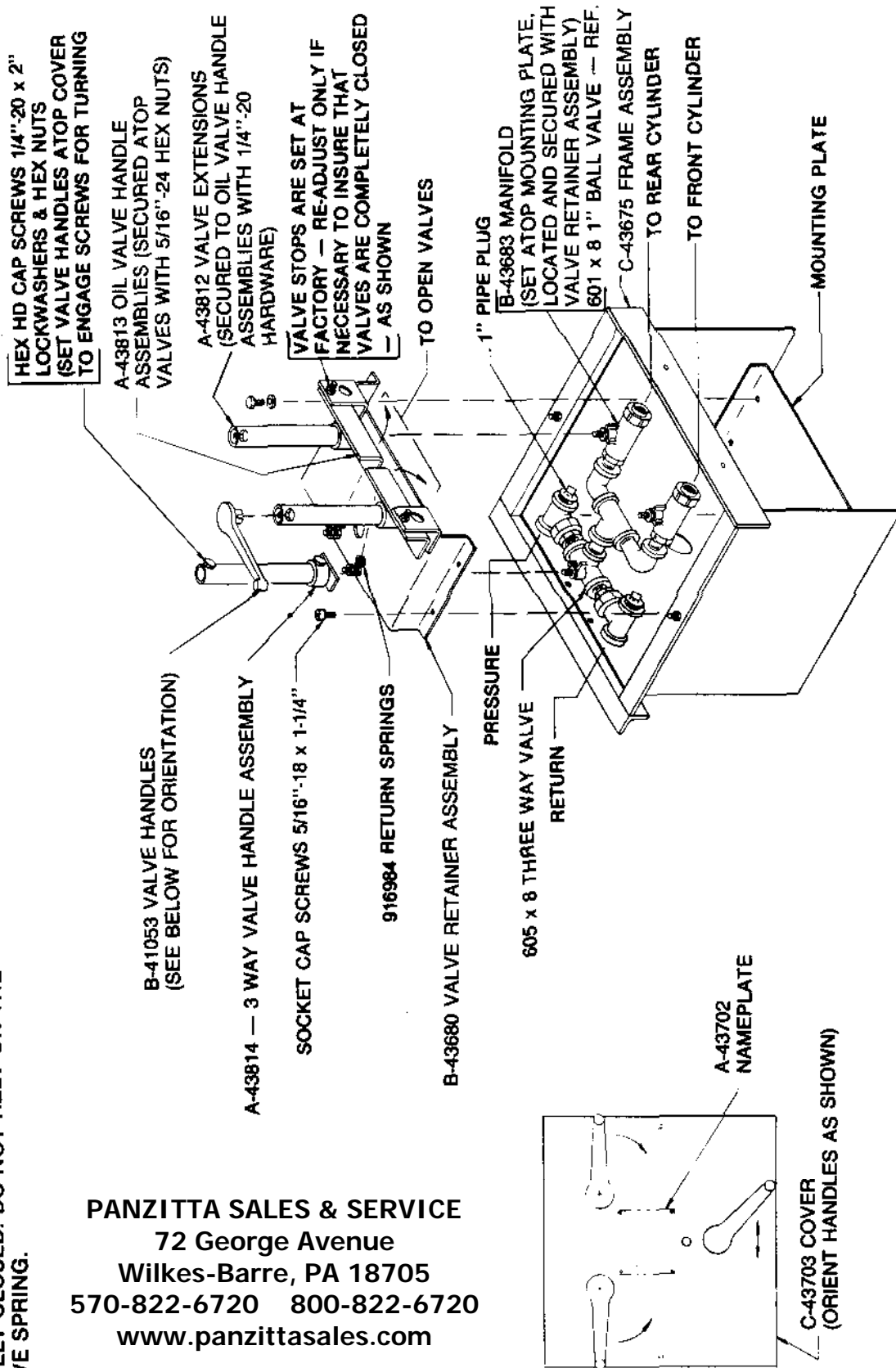
SHMP-1012E Series V

Twelve Inch Cylinder Lifts

# 4. PARTS

WHEN IT IS DESIRED TO STOP LIFT CARE SHOULD BE TAKEN TO ASSURE THAT ALL VALVES ARE COMPLETELY CLOSED. DO NOT RELY ON THE VALVE SPRING.

**PANZITTA SALES & SERVICE**  
 72 George Avenue  
 Wilkes-Barre, PA 18705  
 570-822-6720 800-822-6720  
 www.panzittasales.com



**COMPLETE VALVE PIT ASSEMBLY — C-43690**

**FIGURE 4-1. CONTROL VALVE MANIFOLD — PUMP OPERATED**

FIGURE 4-2. CYLINDER ASSEMBLY MOVABLE POST (C-43655)

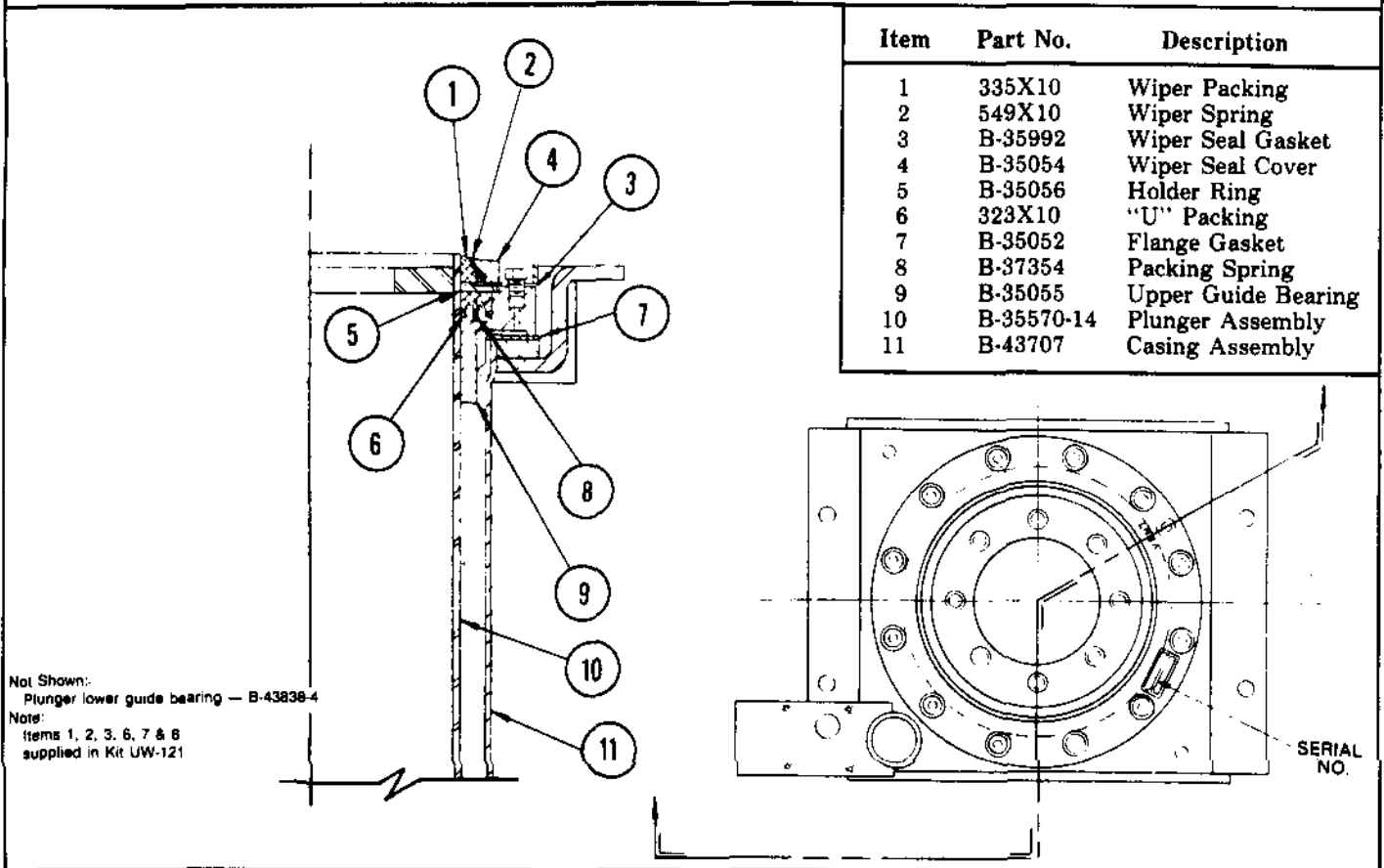
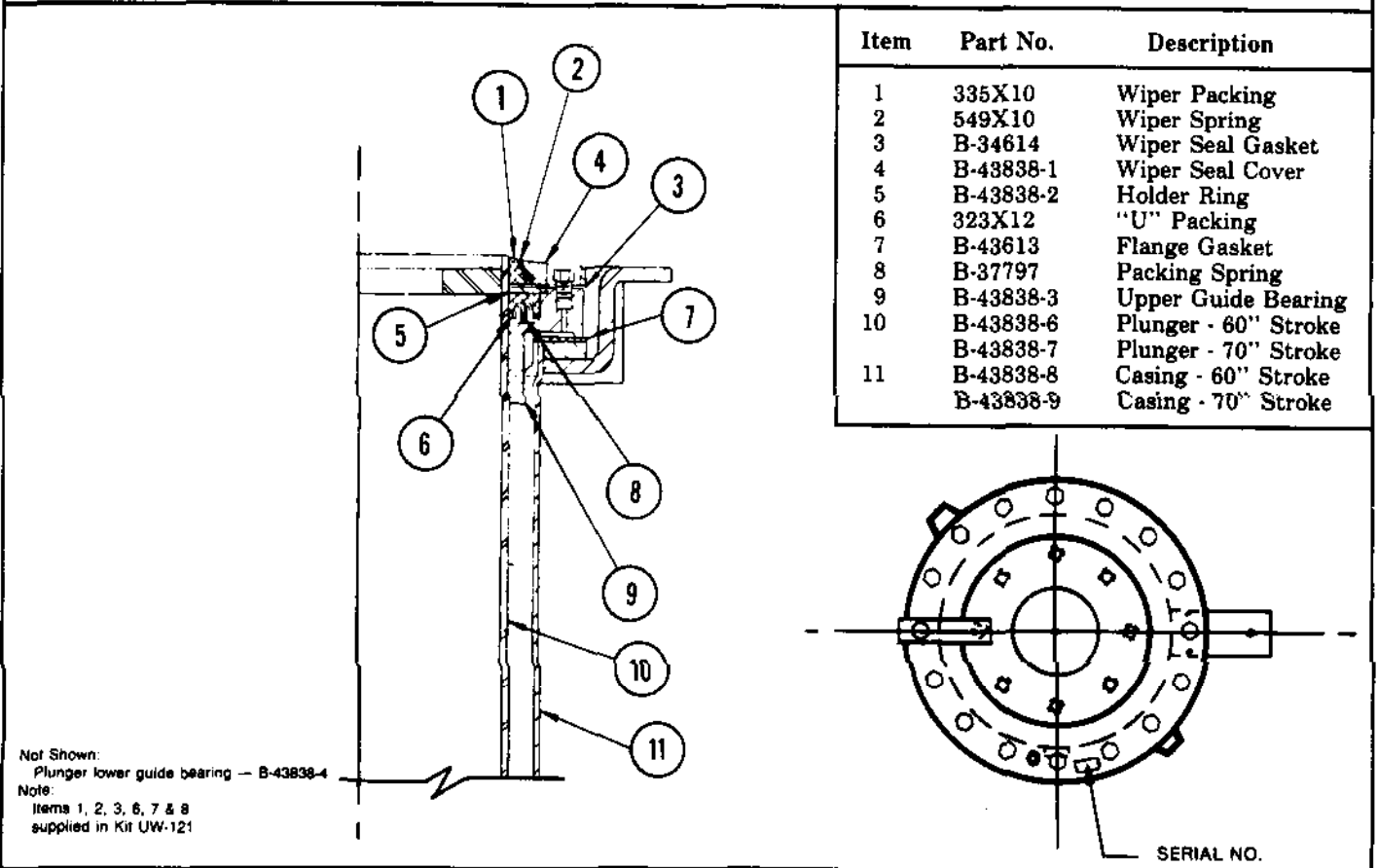
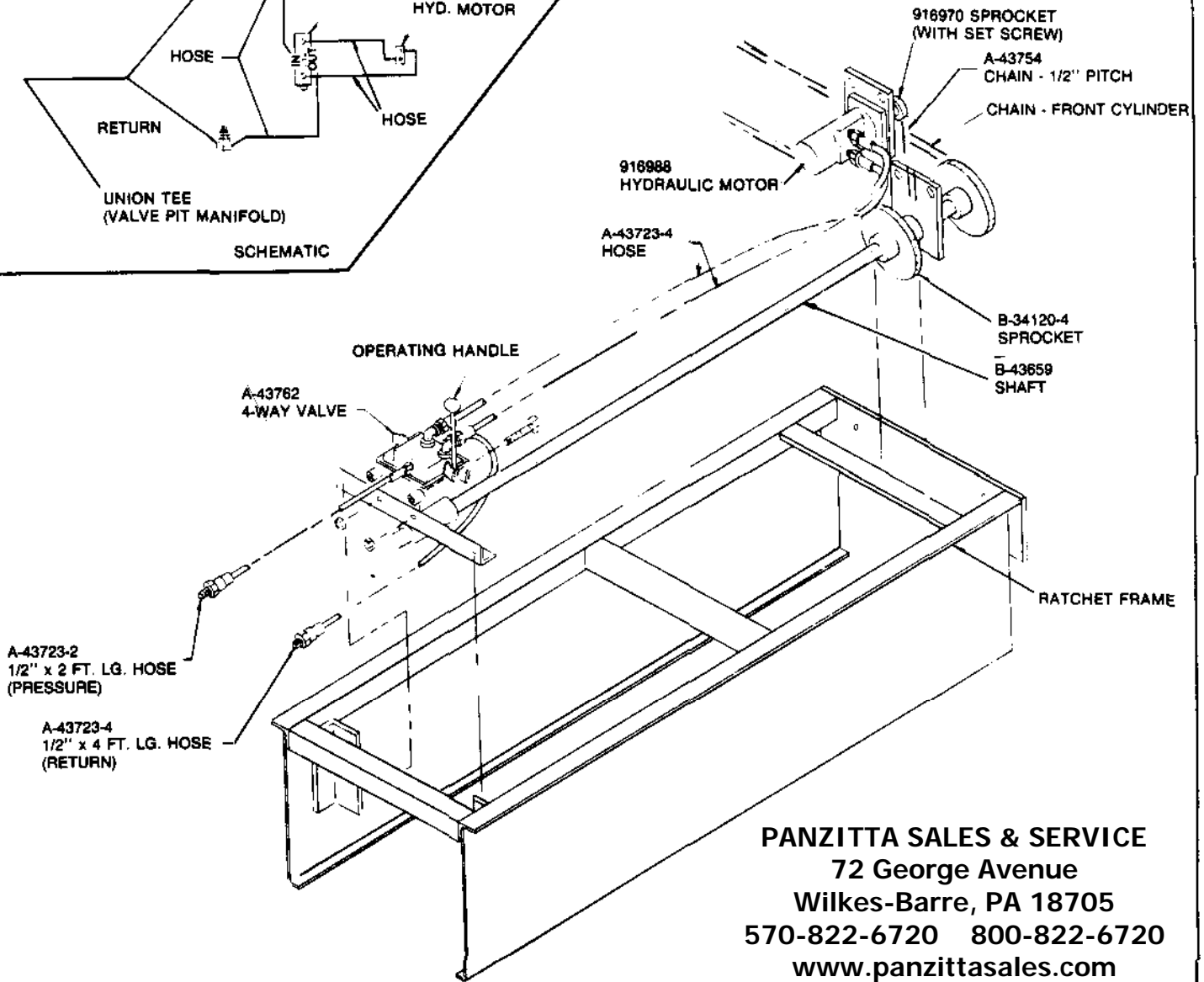
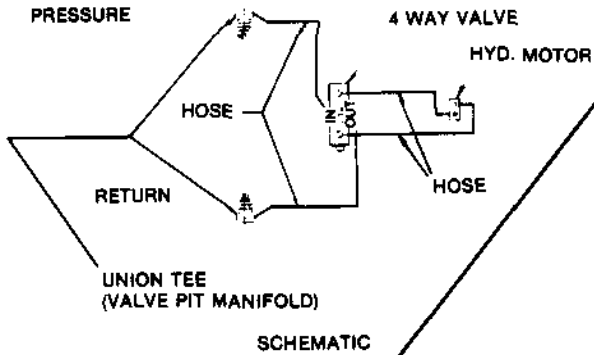


FIGURE 4-3. 12-5/8" CYLINDER ASSEMBLY B-43830-60 (60" STROKE) & B-43830-70 (70" STROKE)



## 5. OPTIONS

Reference (A-43769 Original Equipment, ACC-166 Field Retrofit)



**FIGURE 5-1. POWER FRONT CYLINDER MOVEMENT OPTION —  
ELECTRIC PUMP OPERATED MODELS ONLY**

A-43770 - XX Original Equipment (Not Field Convertible)

### 5.3. OPERATION REMOTE RELEASE LOCK LEGS

If the lift is equipped with the remote release lock legs, the locks will be disengaged automatically when the cylinder control valves are pulled to an open position. Adjustment is provided to insure that the locks are engaged when the valve handles are released.

If the auto-lock leg has settled on the latch, raise the lift before releasing the latch.

Keep the area around the auto-lock clean and free of any material which would inhibit the latch movement.

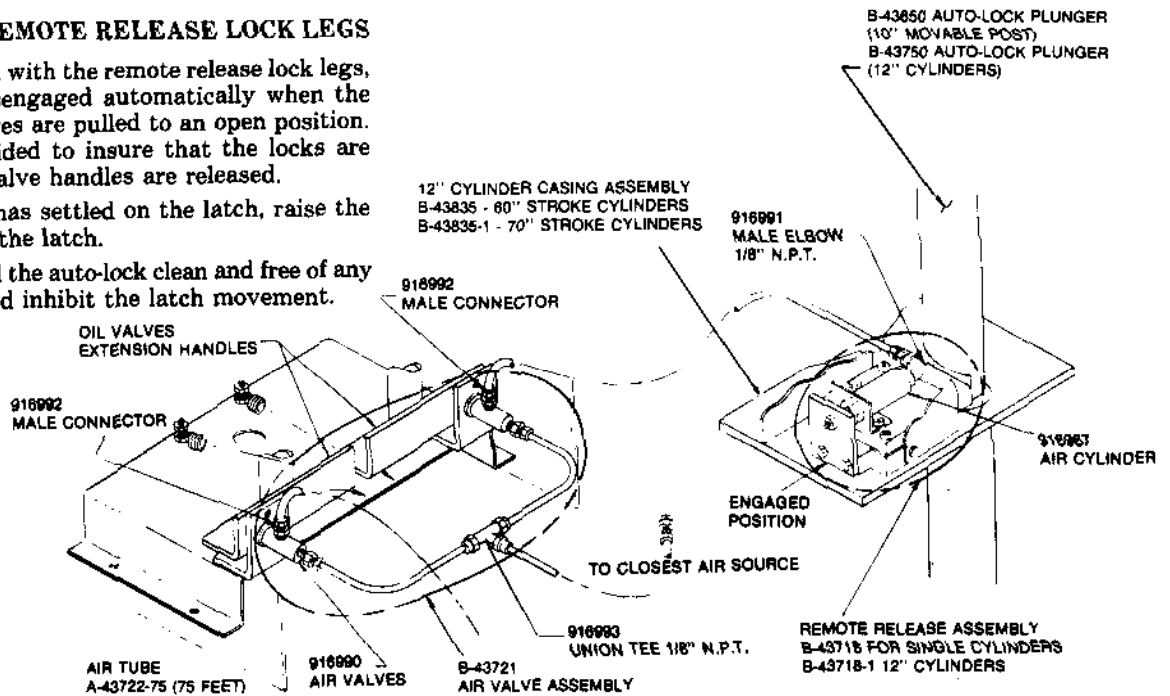


Figure 5-2. REMOTE AUTO-LOCK RELEASE OPTION – FLOOR BOX VALVE CONTROL

PANZITTA SALES & SERVICE  
72 George Avenue  
Wilkes-Barre, PA 18705  
570-822-6720 800-822-6720  
www.panzittasales.com