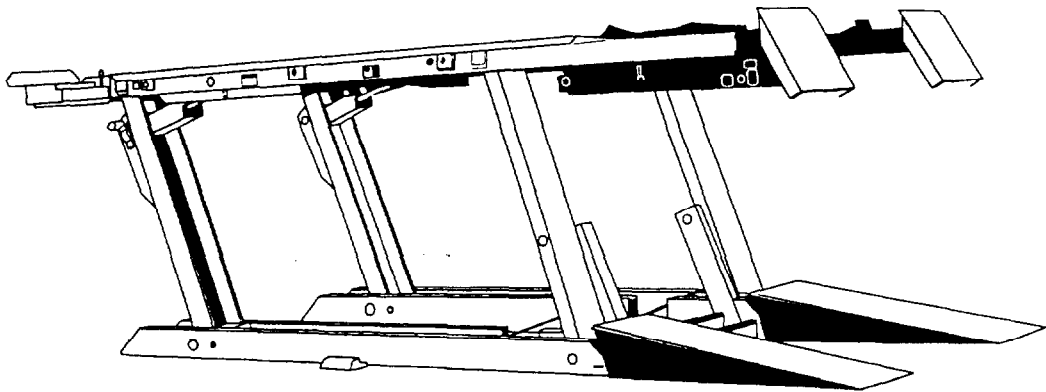
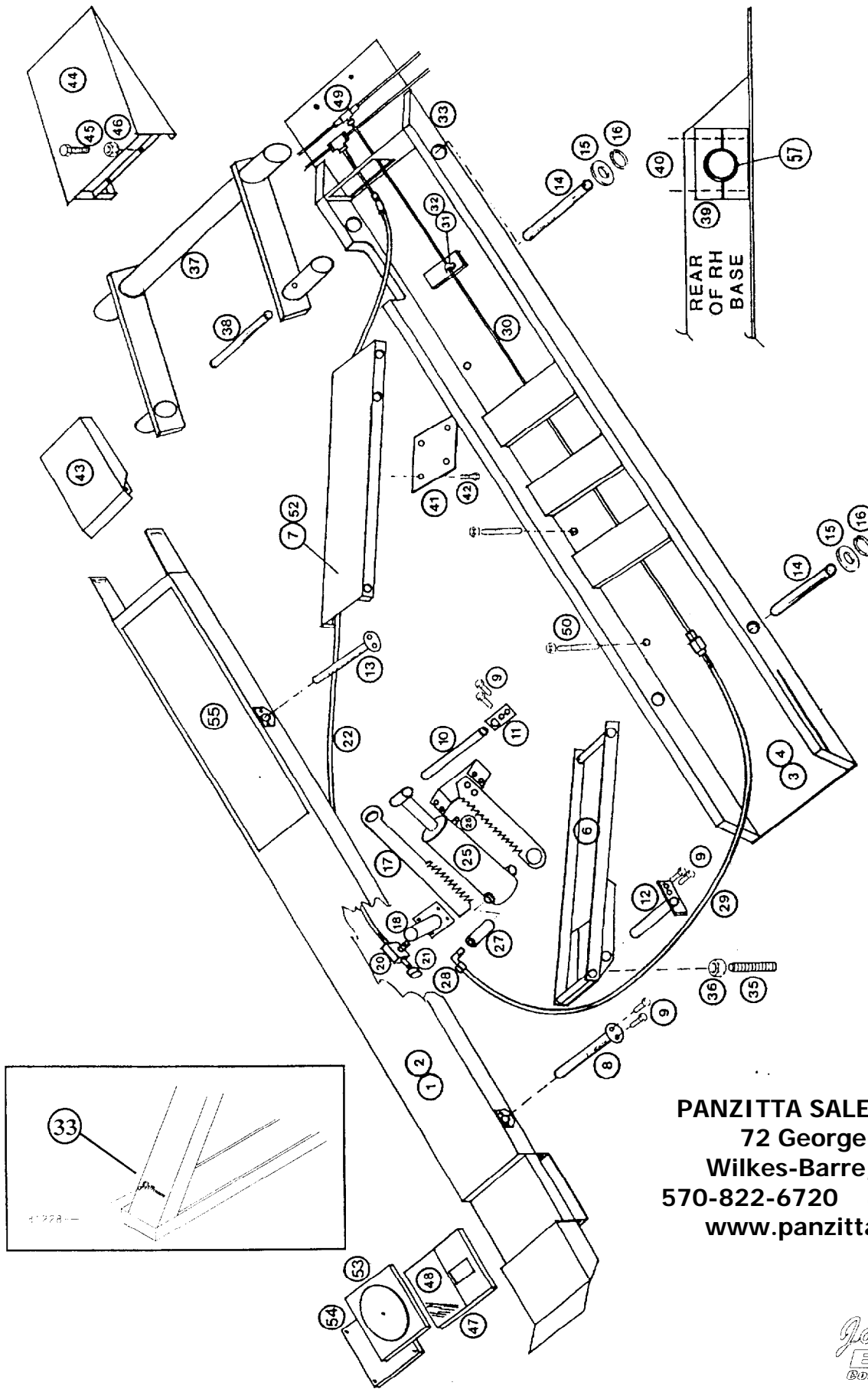


Model 4770/4870
Parallel Lift
Parts Reference



PANZITTA SALES & SERVICE
72 George Avenue
Wilkes-Barre, PA 18705
570-822-6720 800-822-6720
www.panzittasales.com

Form 4729-7



PANZITTA SALES & SERVICE
 72 George Avenue
 Wilkes-Barre, PA 18705
 570-822-6720 800-822-6720
www.panzittasales.com



<u>Ref</u>	<u>Part</u>	<u>Description</u>
<u>No.</u>	<u>No.</u>	
1	68573	4770 RH Runway Weldment
	68621	4870 RH Runway Weldment
2	68574	4770 LH Runway Weldment
	68620	4870 LH Runway Weldment
3	68581	4770 RH Base Weldment
	68627	4870 RH Base Weldment
4	68582	4770 LH Base Weldment
	68597	4870 LH Base Weldment
6	68577	Front Arm Weldment
*	69659	Bearing 1-3/8" ID
7	68578	Rear Arm Weldment
8	69986	Shaft/Plate Wld Assy. (Upper arm front)
9	1187796	Button Hd Screw 5/16-18x5/8"
10	69997	Cylinder Pivot Shaft (Runway)
11	69546	Lock Plate
12	69989	Shaft/Plate Wld Assy (Cyl Pivot Arm)
13	69986	Shaft/Plate Wld Assy (Upper arm rear)
14	69987	Lower Arm Shaft
15	69847	Washer - Shaft
16	1118818	Snap Ring 1-3/8" Shaft
*	1100759	Grease Fitting 1/8"
17	69935	Safety Latch Arm
	69937	Cylinder mount Bracket
	1100778	Screw HHCS 5/16-18x5/8"
	1100242	5/16" Lockwasher
*	69936	RH Stop Latch
*	69955	LH Stop Latch
*	1187801	Button Hd. Screw 1/2-13x1.0"
18	69932	Safety Latch Cylinder
*	1101925	Screw SHCS #10-24x2.75"
*	1101697	#6 Lockwasher
*	1109764	#6-32 Nut
*	69940	Rod End Bearing (goes into 69932)
20	69674	Male Branch Tee 7/16-20 37deg. Flare each end to 1/8 NPT
21	69677	Cap 7/16-20 37deg. Flare
22	68575	Latch Cylinder Hose Assy. 161"(4870ML)
	69998	Latch Cylinder Hose Assy. 136"(4770ML)
25	69934	Main Cylinder/Bearing Assy.
*	69523	Thrust Washer (Cyl. Pivot End)
*	69659	Bushing 1-3/8"ID
*	69711	Seal kit for 69592
26	69933	Breather Vent 1/8 NPT
27	69786	Hose Break Valve
28	69787	Male Elbow-90 deg-1/2" tube to 9/16-18 thread
*	1100045	Screw HHC 5/16-18x1.0"
29	68642	Main Cylinder Hose Assy. (4770ML)
	68643	Main Cylinder Hose Assy. (4870ML)
31	69545	Hose Clamp
32	1101982	Self-tap Screw #12x24x1/2"
*	1182563	Nut 5/16-18
*	1100242	Lockwasher 5/16"
*	68001	Safety Label

PANZITTA SALES & SERVICE
72 George Avenue
Wilkes-Barre, PA 18705
570-822-6720 800-822-6720
www.panzittasales.com



<u>Ref</u>	<u>Part</u>	<u>Description</u>
33	81228	John Bean logo Label
*	69558	Capacity Label (4770)
*	69560	Capacity Label (4870)
*	68497	Front Head Cable & Plate Assy.
*	69801	Connector Mounting Plate
*	68492	Cable Assy - Front Head
*	84094	9-Conductor Cable
*	75061	8-Pin Connector .156 Ctr.
*	70588	Crimp Terminal
*	985067	1/4" Heat Shrink Tubing
*	83195	Connector - Receptacle
*	70876	Contact Pin
*	83327	Receptacle Support
*	1115607	Screw RHMP #4-40x3/4"
*	1109762	Hex Nut #4-40
*	1101606	#4 Int- Tooth Lockwasher
*	68498	Middle Cable & Plate Assy.
*	68499	Rear Hd. Cable & Plate Assy.
*	69816	Cover Plates - Junction Box Hole
*	1101847	Black Cable Clamp 1/4" ID
*	64383	Tie Wrap
*	1101849	Self-tap Screw HHW #12-24x3/8" 5
35	69837	Screw HHC #1-8x3.0" (Arm Leveling)
36	1121558	Jam Nut #1-8
37	68579	Sync Arm Weldment
38	69870	Sync Arm Shaft
39	68587	Bushing Block Top
40	1102381	Bolt SHCS 5/8-11
41	68612	Bolt Plate
42	1101966	Bolt 1/2-13x1-1/2"
*	1112837	Cone Point Setscrew 3/8-16x3/4"
43	69634	Ramp Weldment
*	1100064	Screw HHC 1/2-13x1-1/2"
*	69724	Lift Shim Kit
*	1120242	ESNA Nut 1/2-13
*	1100257	Flat Washer
44	69628	Ramp Extension
45	1100057	Screw HHC 1/2-13x3.0"
46	1121553	Jam Nut 1/2-13
47	68481	Front Step
48	68412	Nonskid Strip
*	1102343	Allen Hd. Screw 1/4-20x1/2"
*	1121507	Hex Nut 1/4-2D
*	69826	Saddle Bridge Weldment
*	1234434	Wheel Stop
*	69572	Elbow - 3/8 Union
*	69794	Elbow 1/4FPT to 3/8 OD Tube
49	69749	Female Branch Tee 3/8FPT to 3/8OD Tube
*	69745	Male Connector 9/16-18SAE to 1/4NPT
*	69571	Tube Ferrule 3/8" OD
*	69626	Console Tube Cover
*	69683	90 Degree Tubing Cover

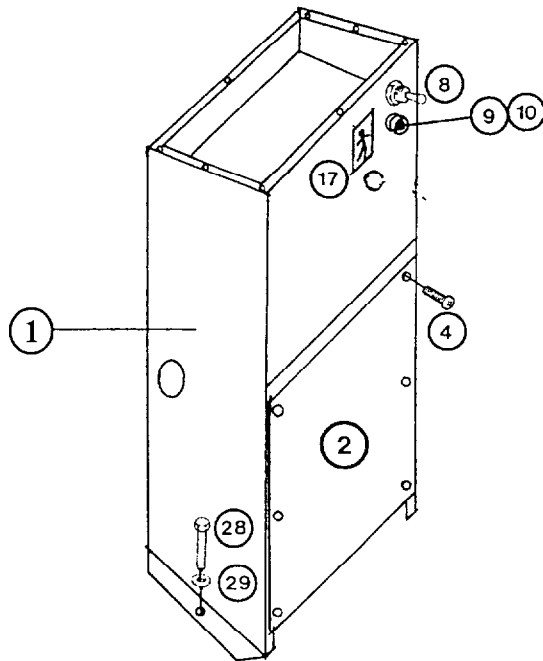
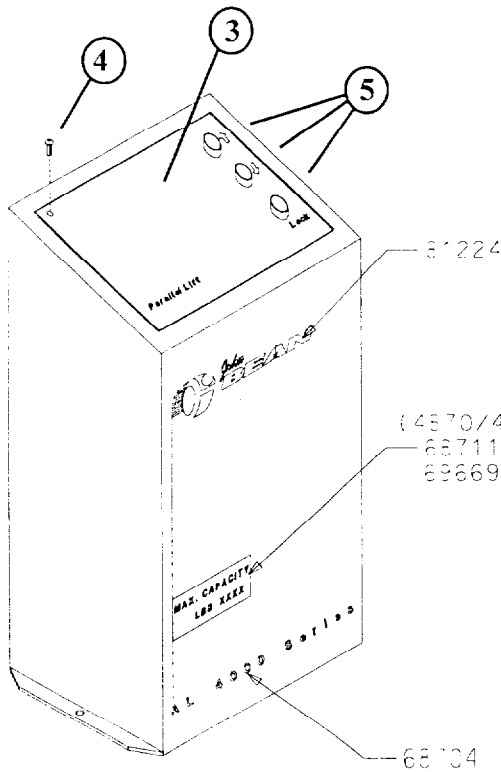
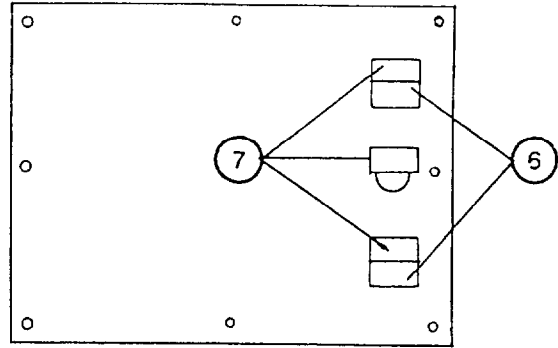
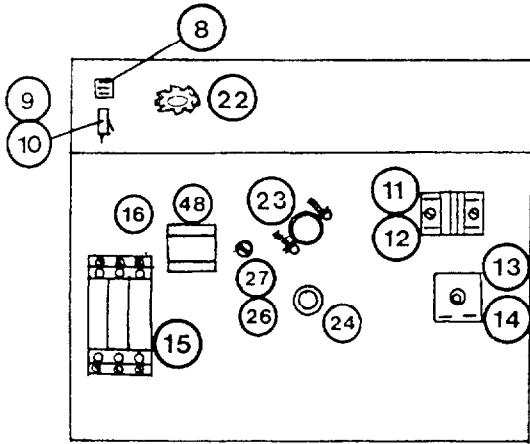
PANZITTA SALES & SERVICE
72 George Avenue
Wilkes-Barre, PA 18705
570-822-6720 800-822-6720
www.panzittasales.com



Ref	Part	Description
No.	No.	
*	69869	Crossover Tube Cover
50	69678	Quik Bolt Stud Anchor
52	68580	Sync Shaft Support Wld (p/o 68578)
*	1100049	Jacking Screw 3/8-16x2-1/4" 72 Turntable
53	68307	Turntable Spacer Weldment
*	1100241	1/4" Lockwasher
*	1100804	Screw 1/4-20x1/2"
55	68601	Rear Slip Plate Weldment
*	68778	Roller
*	68779	Roller Retainer
57	69799	Sync Arm Bushing
*	69694	Tube 3/8"OD x 16 ft.
*	69696	Tube 3/8" OD x 6 ft.
*	69994	HI Pressure Line Label
*	69995	LO Pressure Line Label
*	69968	Warning Label
*	69793	1/4 Male Quick Connector Coupler
*	1101915	1/4" ID Black Hose
*	1107381	1/4" Washer
*	1107382	Flat Washer
*	1182563	5/16-18 Nut
*	67541	Hose Barb
*	1105160	1/4 Female Tee Connector
*	1105157	1/4 Street Elbow Connector
*	1101834	Hose Clamp
*	1103946	1/2" Flat Washer
*	68568	Junction Box - Wired Lift
*	68570	Poly Layflat Tubing
*	69675	Thrust Washer
*	69676	Thrust Washer
*	69827	Capacity Rating Label

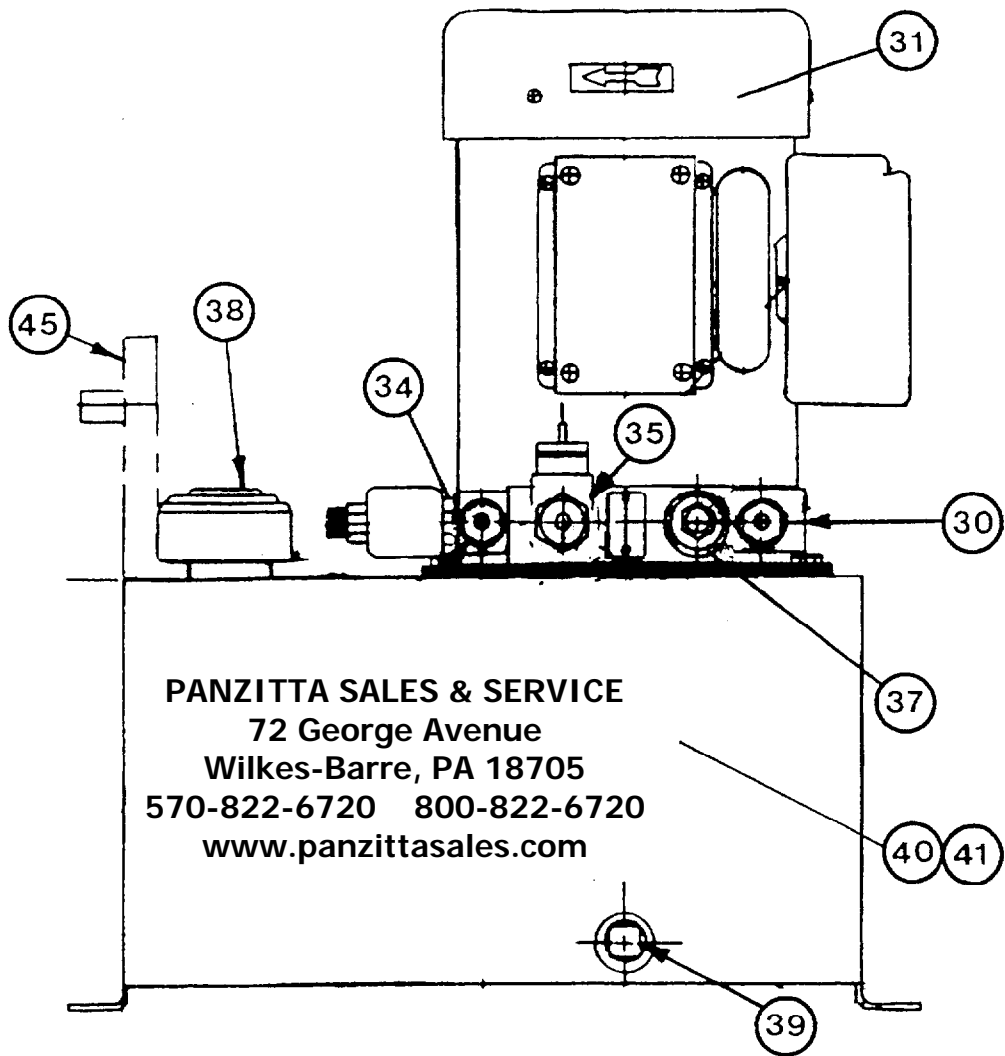
PANZITTA SALES & SERVICE
72 George Avenue
Wilkes-Barre, PA 18705
570-822-6720 800-822-6720
www.panzittasales.com



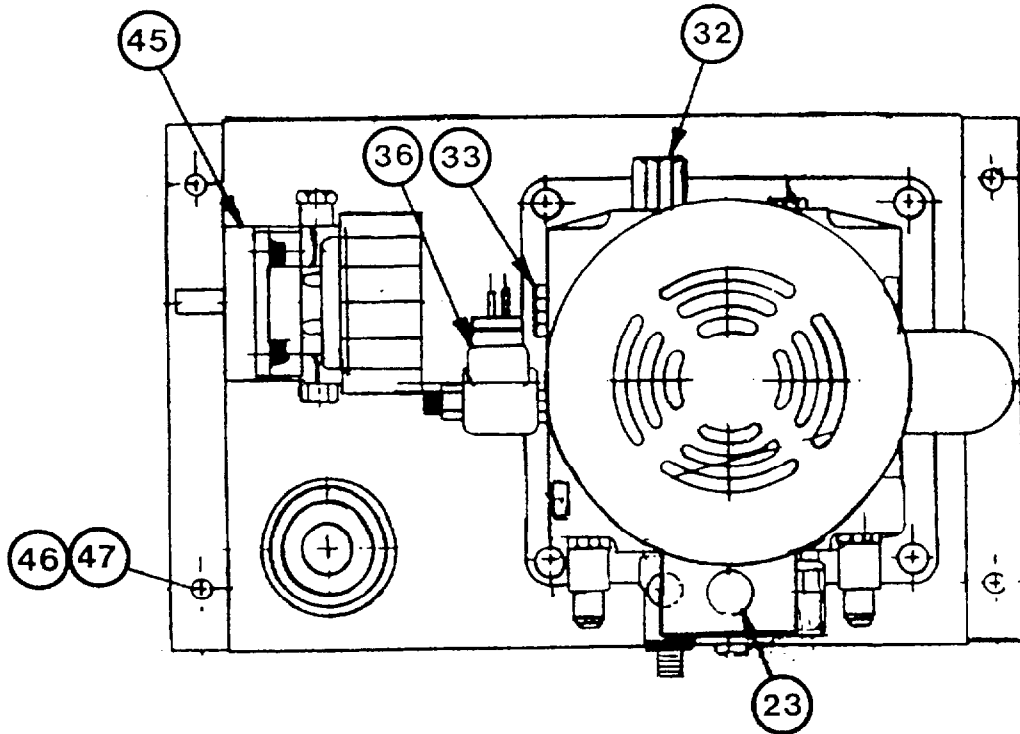


PANZITTA SALES & SERVICE
72 George Avenue
Wilkes-Barre, PA 18705
570-822-6720 800-822-6720
www.panzittasales.com





PANZITTA SALES & SERVICE
 72 George Avenue
 Wilkes-Barre, PA 18705
 570-822-6720 800-822-6720
 www.panzittasales.com



<u>Ref No.</u>	<u>Part No.</u>	<u>Description</u>
1	69603	Console Weldment
2	69610	Back Cover
3	69864	Operation Panel
4	1101982	Self-tap Screw 12-24x1/2"
5	69612	Flush Pushbutton
7	69614	Open-contact Block (N-O Sw.) Green
8	83048	ON/OFF Switch
9	64087	Fuseholder
10	74114	Fuse 3.0 Amp
11	68533	Electronic Timer "A"
12	1115725	Screw RHM #6-32x1-1/8"
*	1177246	#8 Lockwasher
13	69893	Electronic Timer "B"
14	1115725	Screw RHM #6-32x1-1/8"
15	1109764	ESNA Nut #6-32
16	69615	Magnetic Contactor
*	1115810	Screw #10-24x1/2"
17	1101479	KEPS Nut #10-24
18	61231	Disconnect Power Danger Label
21	68821	Decal, Parallel lift horizontal
22	1228668	Strain Relief (3/4")
23	35148	Strain Relief (1/2")
*	68562	Electrical Connecting Box
*	68563	Cover for Elec. Conn. Box
*	69652	Connector - 90 Deg. (Sealtite)
*	68653	Straight Connector (Sealtite)
*	69688	Flexible Conduit 1/2" (Sealtite)
*	1101479	ESNA Nut #10-24 (Box to plate)
*	1187559	3/16" Flat Washer
24	68017	Grommet
*	69617	Electrical Cord #14-3 SO
*	61039	Wire Nut (Motor)
*	1212266	Wire Nut Connector (Box)
26	69836	Screw #10-24 x 1.0" (GND)
27	1185489	INT/EXT Tooth Lockwasher
*	1109766	#10-24 Nut
*	69691	Console Assembly Harness
*	69687	Fuse Label
*	90248	Caution Label
*	68564	Cable Assembly
*	69830	Hang Sheet 4770/4870
*	60677	Chain
*	60911	Flat Retaining Washer
*	1187117	Expansion Shield 1/2-13
28	1100067	Screw HHC R/2-13x2.0"
29	1107385	1/2" Flat Washer
30	68708	AC Power Unit - 4870
	68710	AC Power Unit - 4970

PANZITTA SALES & SERVICE
72 George Avenue
Wilkes-Barre, PA 18705
570-822-6720 800-822-6720
www.panzittasales.com



<u>Ref No.</u>	<u>Part No.</u>	<u>Description</u>
35	69706	Solenoid Valve (2-way)
36	69707	Solenoid Valve (3-way)
37	69709	Pressure Reducing Valve
*	69710	Solenoid for 69706, 69707
38	69712	Breather and Dipstick
39	NA	Drain Plug 1/2-14NPT - LOCAL PURCHASE
41	69714	Gasket
45	69967	Emergency Hand Operated Pump Kit
*	69898	Handle Weldment
*	69970	Pump and Parts
*	90282	Plug
*	1121507	Hex Nut 1/4-20
*	69589	Tube - Pump 3/8"00
*	69572	Elbow - 3/8 Union
*	69579	Male Connector
46	1100044	Screw HHC 5/16-18x3/4"
*	1107383	3/8" SAE Washer
47	1101890	5/16-18 Nut
*	69994	"HI Pressure Line" Label
*	69995	"LO Pressure Line" Label
*	69780	Transformer, 208/230V (4770ML)
49	1115810	Screw RHM #10-24x1/2"
*	1101479	#10-24 KEPS Nut
*	68548	UL Label, 4770
*	80322	Warning Label
*	80280	CSA Label
*	80323	Caution Label
*	68608	Literature pack
*	69650	4" square metal box
*	69651	cover for 69650 box
*	69658	5 gallons of hydraulic oil
*	1187949	#10 zinc int/ext tooth lockwasher
*	69834	Saddle Bridge

PANZITTA SALES & SERVICE
72 George Avenue
Wilkes-Barre, PA 18705
570-822-6720 800-822-6720
www.panzittasales.com

