

Model 39000

Installation, Operation and Maintenance

17. Insert the cable assembly through the cable end cap, making sure the cable casing is fully seated.
18. Insert the internal cable through the clevis.
19. Insert the internal cable through the cable stop so it is just extending beyond the stop and crimp so the clevis can not be removed.
20. Attach the clevis to the bottom hole of the idler side locking pawl using the clevis pin and retaining ring. The complete assembly for the idler column should be as shown in Fig 12.
21. Raise the carriages and engage the locks in the lowest locking position.
22. Install the cable end cap into the terminal block located on the power column. Make sure the end cap is fully inserted and the threads are exposed. Assemble the locknut to the cable end cap.
23. Insert the cable assembly through the cable end cap, making sure the cable assembly is fully seated.
24. Insert the internal cable through the clevis.
25. Insert the internal cable through the cable stop so it is just extending beyond the stop and crimp so the clevis can not be removed.
26. Attach the clevis to the top hole of the power side locking pawl using the clevis pin and retainer rings.
27. Attach the tee handle assembly to the bottom hole of the power side locking pawl using the clevis pin and retaining rings. The complete assembly of the power side should be as seen in Fig 13.
28. Raise the carriages slightly. Release the locks and lower carriages fully.
29. Pull downward on the tee handle and observe the operation of both locking pawls. Both locking pawls should fully open. Adjust cable tension as needed by backing the cable end cap out of the terminal block on the idler column and tighten the locknut.
30. Snap the plastic covers on both columns.

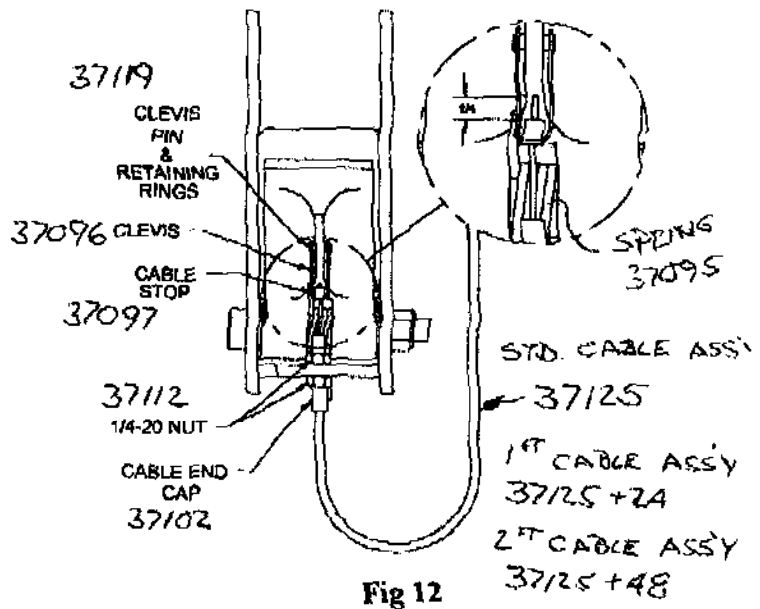


Fig 12

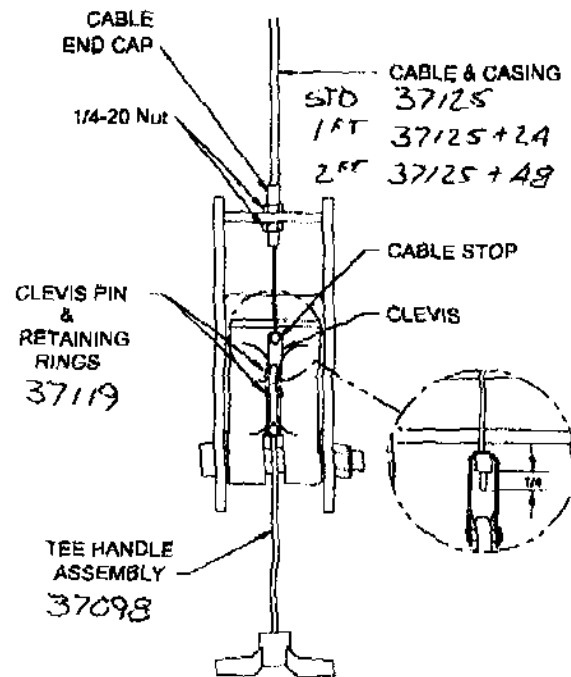


Fig 13