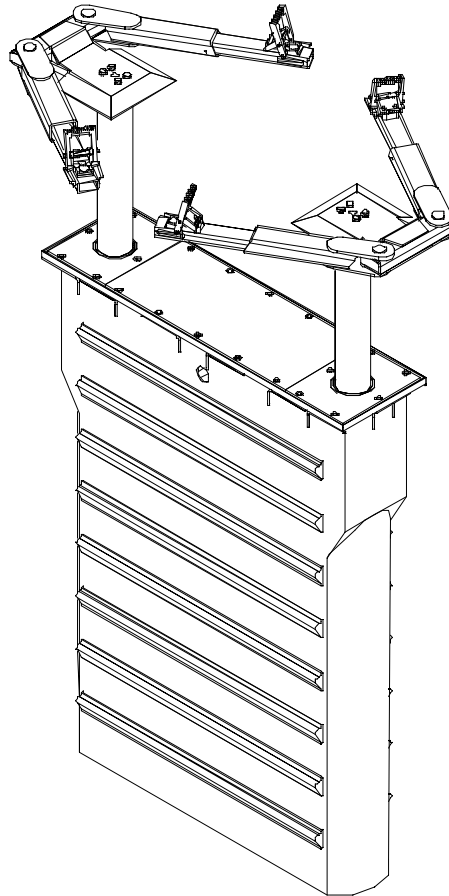


Model CS9200
Installation, Operation and Maintenance

PANZITTA SALES & SERVICE
72 George Avenue
Wilkes-Barre, PA 18705
570-822-6720 800-822-6720
www.panzittasales.com

Parts Break Down

Model CS9200



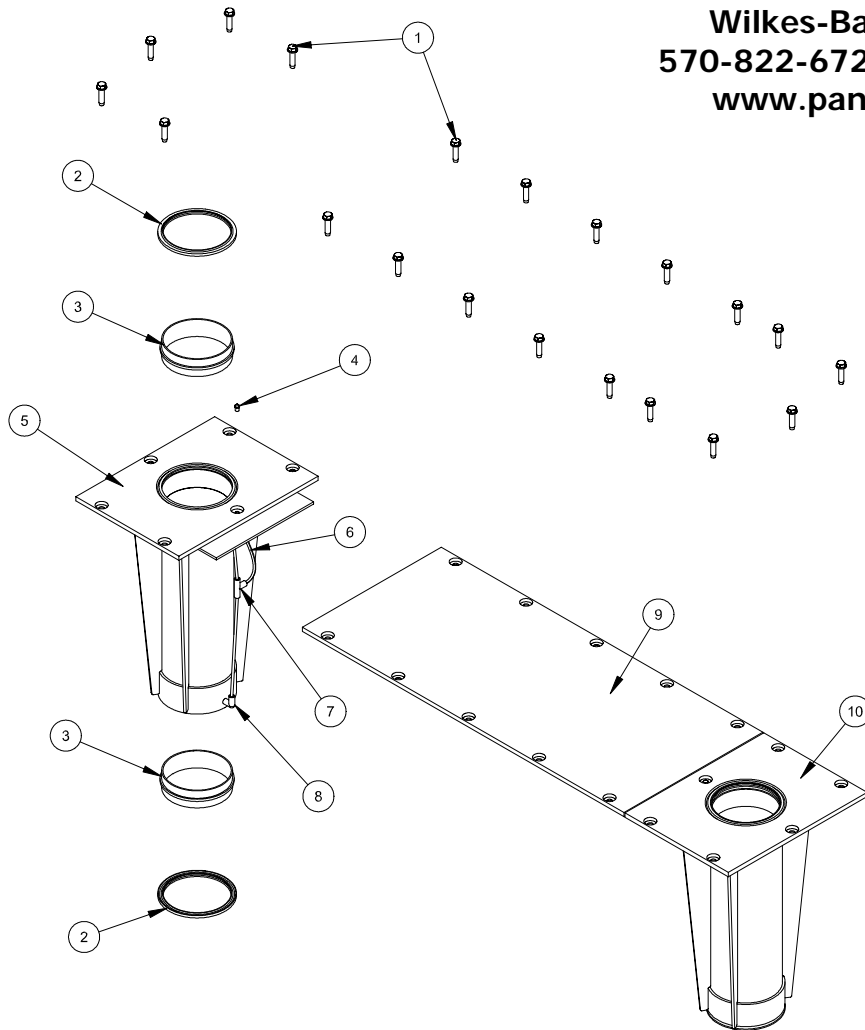
IMPORTANT

Replace all worn or broken parts with **genuine Challenger Lifts, Inc. parts**. Contact your local Challenger Lifts parts distributor for pricing and availability. Call Challenger Lifts, Inc. at **(502) 625-0700** for the distributor in your area.

**Model CS9200
Installation, Operation and Maintenance**

Bearings

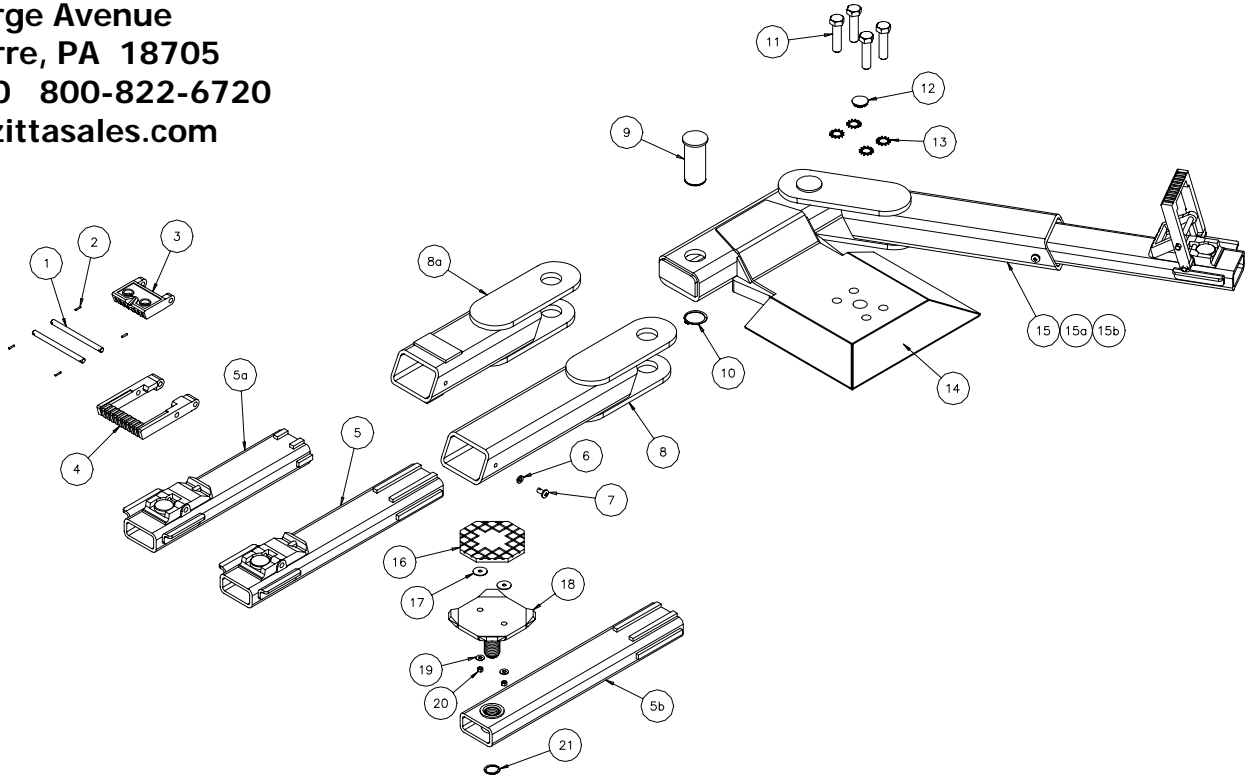
**PANZITTA SALES & SERVICE
72 George Avenue
Wilkes-Barre, PA 18705
570-822-6720 800-822-6720
www.panzittasales.com**



Item #	Part #	Qty./Lift	Description
1	16116	20	1/2-13 x 2 Self Tapping Bolt
2	16127	4	Wiper
3	16128	4	Bearing Ring
4	16130	2	1/8 NPT Grease Fitting
5	16126	2	Bearing Weld
6	16132	6	1/4" x 12" Grease Line
7	16131	2	1/4" Push Lock Union Tee
8	16129	4	1/8 NPT x 1/4" Push Lock Elbow
9	16107	1	Cover Plate
10	16106	2	Bearing Assembly

Model CS9200
Installation, Operation and Maintenance

PANZITTA SALES & SERVICE
 72 George Avenue
 Wilkes-Barre, PA 18705
 570-822-6720 800-822-6720
 www.panzittasales.com



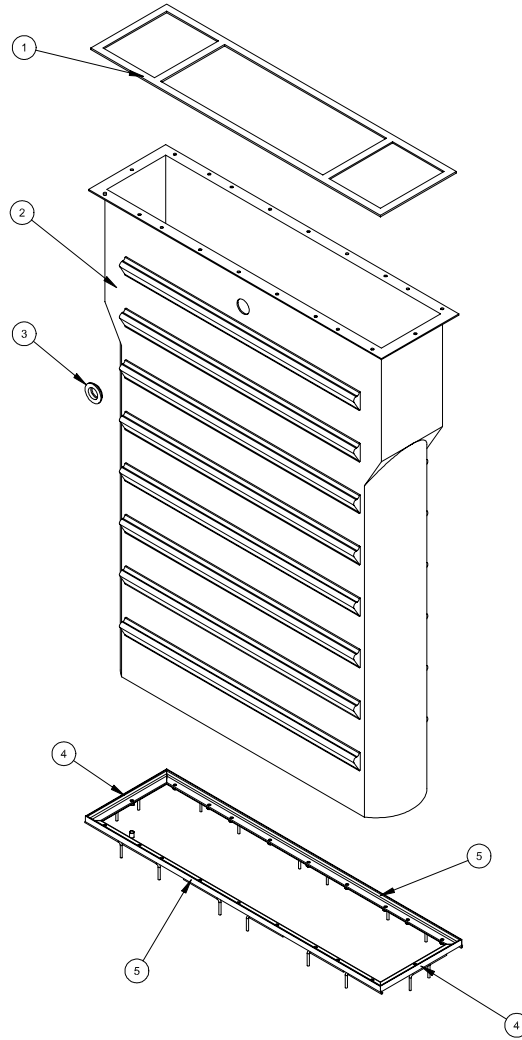
Super Structure

Item #	Part #	Qty. / Lift	Description
1	VS199777	8	Adapter Pin
2	VS19326	16	1/8 x 5/8 Roll Pin
3	VM2138	4	Low Pad
4	VM2139	4	High Pad
5	16123	2/4	Male Arm Weld-Std.
5a	16123E	2/4	Male Arm Weld-European
5b	16236	4	Male Arm Weld-Rubber Pad
6	31037	4	3/8 Split Lock Washer
7	31305	4	3/8 Self Tapping Bolt
8	16122	2/4	Female Arm Weld-Std.
8a	16122E	2/4	Female Arm Weld-European
9	16124	4	Arm Pin
10	16125	4	1-7/8 Snap Ring
11	16161	8	3/4-10 x 3 Hex Head Cap Screw
12	16160	2	1-1/4" Finishing Plug
13	16162	8	3/4" Ext. Tooth Lock Washer
14	16103	2	Bolster
15	16104	2/4	Arm Assembly-Std.
15a	16104E	2/4	Arm Assembly-European
15b	16235	4	Arm Assembly-Rubber Pad
16	31057	4	Rubber Insert
17	31114	8	1/4" Fender Washer
18	31133	4	Foot Pad
19	31115	8	1/4" Flat Washer
20	31061	8	1/4" Keps Nut
21	39111	4	Retaining Ring

**Model CS9200
Installation, Operation and Maintenance**

Containment

PANZITTA SALES & SERVICE
 72 George Avenue
 Wilkes-Barre, PA 18705
 570-822-6720 800-822-6720
 www.panzittasales.com

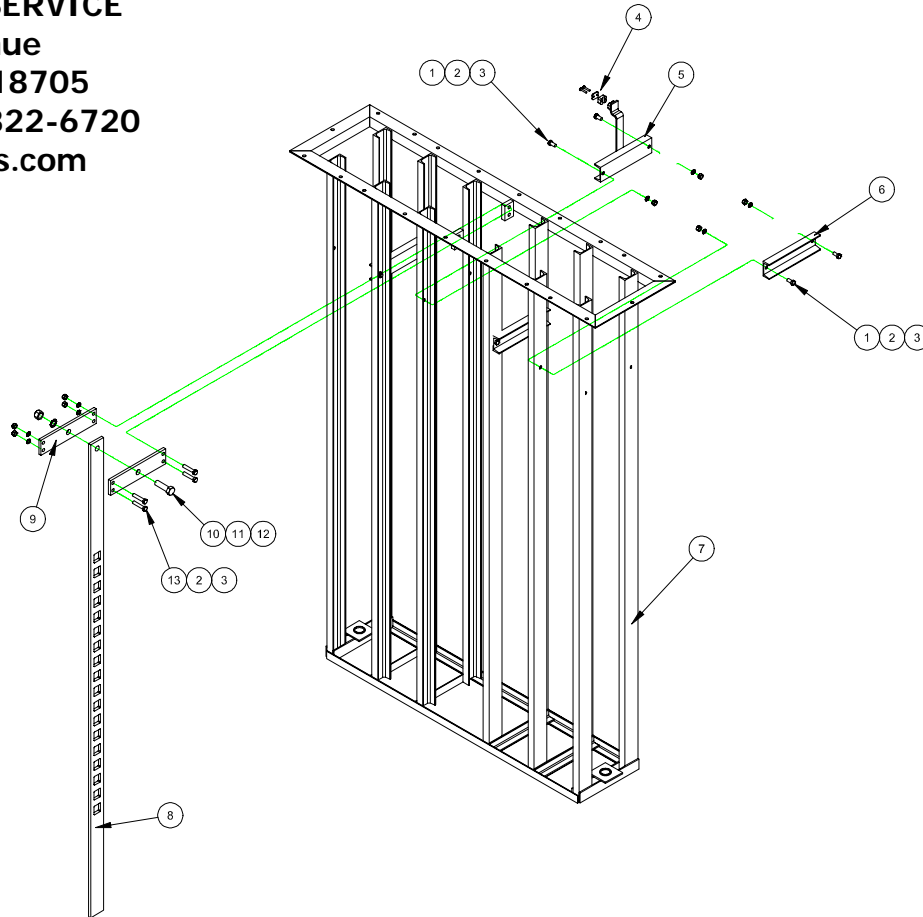


Item #	Part #	Qty./Lift	Description
1	16108	19 ft.	5/16 x 1 Adhesive gasket
2	16105	1	Containment Tub
3	15009	1	2" PVC Grommet
4	16110	2	Concrete Tie Weld-Short
5	16111	2	Concrete Tie Weld-Long

**Model CS9200
Installation, Operation and Maintenance**

Frame

PANZITTA SALES & SERVICE
 72 George Avenue
 Wilkes-Barre, PA 18705
 570-822-6720 800-822-6720
 www.panzittasales.com

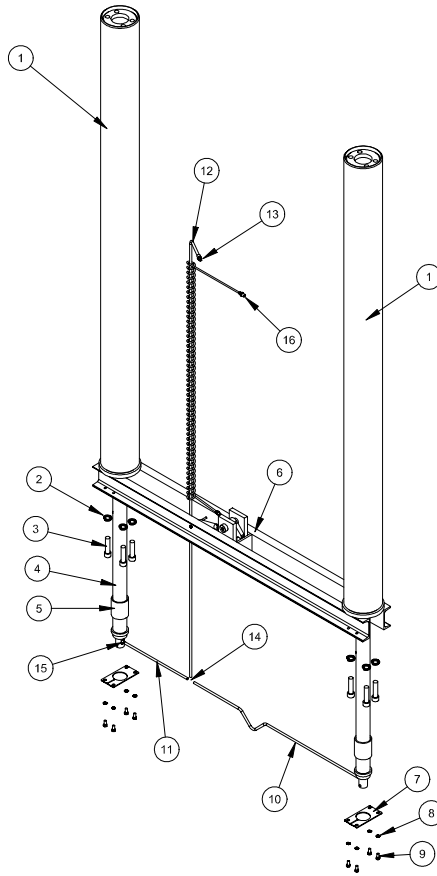


Item #	Part #	Qty./Lift	Description
1	16157	8	½-13 x 1 Frame Support Bolt
2	16158	12	½" External Tooth Lock washer
3	16159	12	½-13 Hex Nut
4	15010	1	Hydraulic Line Clamp
5	16149	1	Frame Support Weld
6	16150	3	Frame Support
7	16148	1	Frame Weld
8	16151	1	Lock Ladder Weld
9	16152	2	Ladder Rail
10	16153	1	7/8-9 x 3 Lock Ladder Bolt
11	16154	1	7/8" External Tooth Lockwasher
12	16155	1	7/8-9 Hex Nut
13	16156	4	½-13 x 2 ½ Ladder Rail Bolt

**Model CS9200
Installation, Operation and Maintenance**

Plunger/Rail Assembly

PANZITTA SALES & SERVICE
 72 George Avenue
 Wilkes-Barre, PA 18705
 570-822-6720 800-822-6720
 www.panzittasales.com

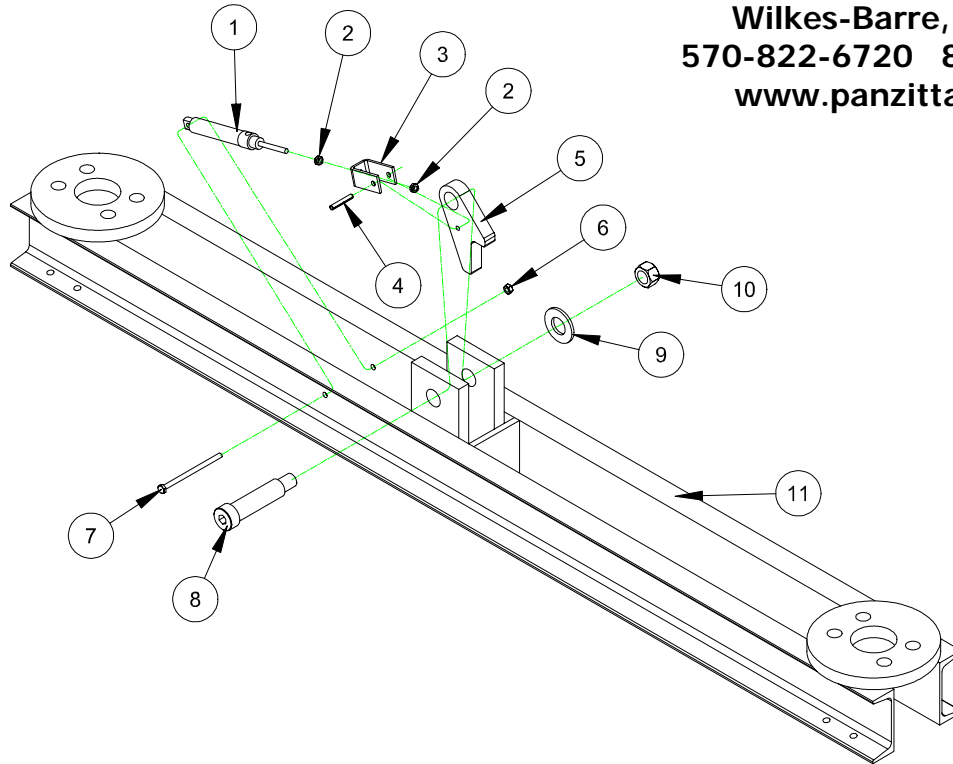


Item #	Part #	Qty./Lift	Description
1	16137	2	Plunger
2	09129	8	3/4" Split Lock washer
3	VS25259	8	3/4-10 x 3 Socket Head Cap screw
4	16138	2	2 x 68 Hydraulic Cylinder
5	16139	2	Cylinder Sleeve
6	16140	1	Synch. Rail Assembly
7	16141	2	Cylinder Capture Plate
8	16142	8	3/8" External Tooth Lockwasher
9	16143	8	3/8-16 x 3/4 Hex Head Capscrew
10	16144	1	Cylinder Line - Long
11	16145	1	Cylinder Line - Short
12	16146	1	Hydraulic Feed Line
13	15011	1	Union / Adapter
14	31032	1	Union Tee
15	31116	2	9/16 SAE Connector
16	16147	1	Coiled Air Line

**Model CS9200
Installation, Operation and Maintenance**

Synchronizing Rail

**PANZITTA SALES & SERVICE
72 George Avenue
Wilkes-Barre, PA 18705
570-822-6720 800-822-6720
www.panzittasales.com**



Item #	Part #	Qty./Lift	Description
1	40142	1	3/4 x 1 1/2 Reverse Single Acting Air Cylinder
2	40144	2	1/4-28 Hex Jam Nut
3	16214	1	Air Cylinder Clevis
4	16215	1	1/4 x 1 1/2 Roll Pin
5	16213	1	Locking Pawl
6	08097	1	1/4-20 Nylon Locknut
7	16192	1	1/4-20 x 4 1/4 Hex Head Cap screw
8	16190	1	1 x 3 1/2 Shoulder Bolt
9	31183	1	1" Flat Washer
10	31068	1	3/4-10 Nylon Locknut
11	16189	1	Synchronizing rail Weld