

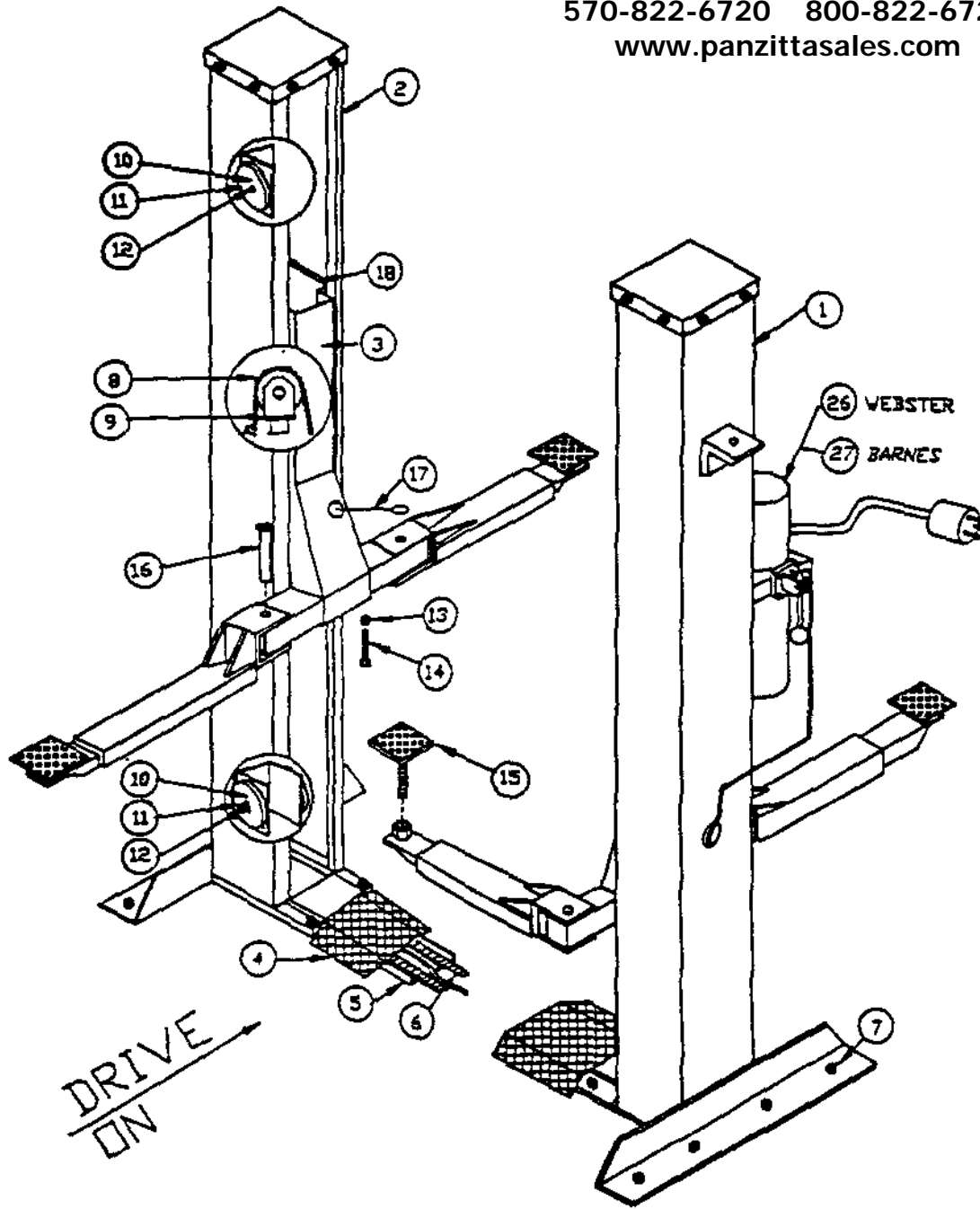
PANZITTA SALES & SERVICE  
72 George Avenue  
Wilkes-Barre, PA 18705  
570-822-6720 800-822-6720  
[www.panzittasales.com](http://www.panzittasales.com)

# **CHALLENGER LIFTS, INC.**

## **MODEL 30000**

TWO POST SURFACE MOUNTED LIFT

PANZITTA SALES & SERVICE  
72 George Avenue  
Wilkes-Barre, PA 18705  
570-822-6720 800-822-6720  
www.panzittasales.com



CHALLENGER SPIRIT  
MODEL 30,000

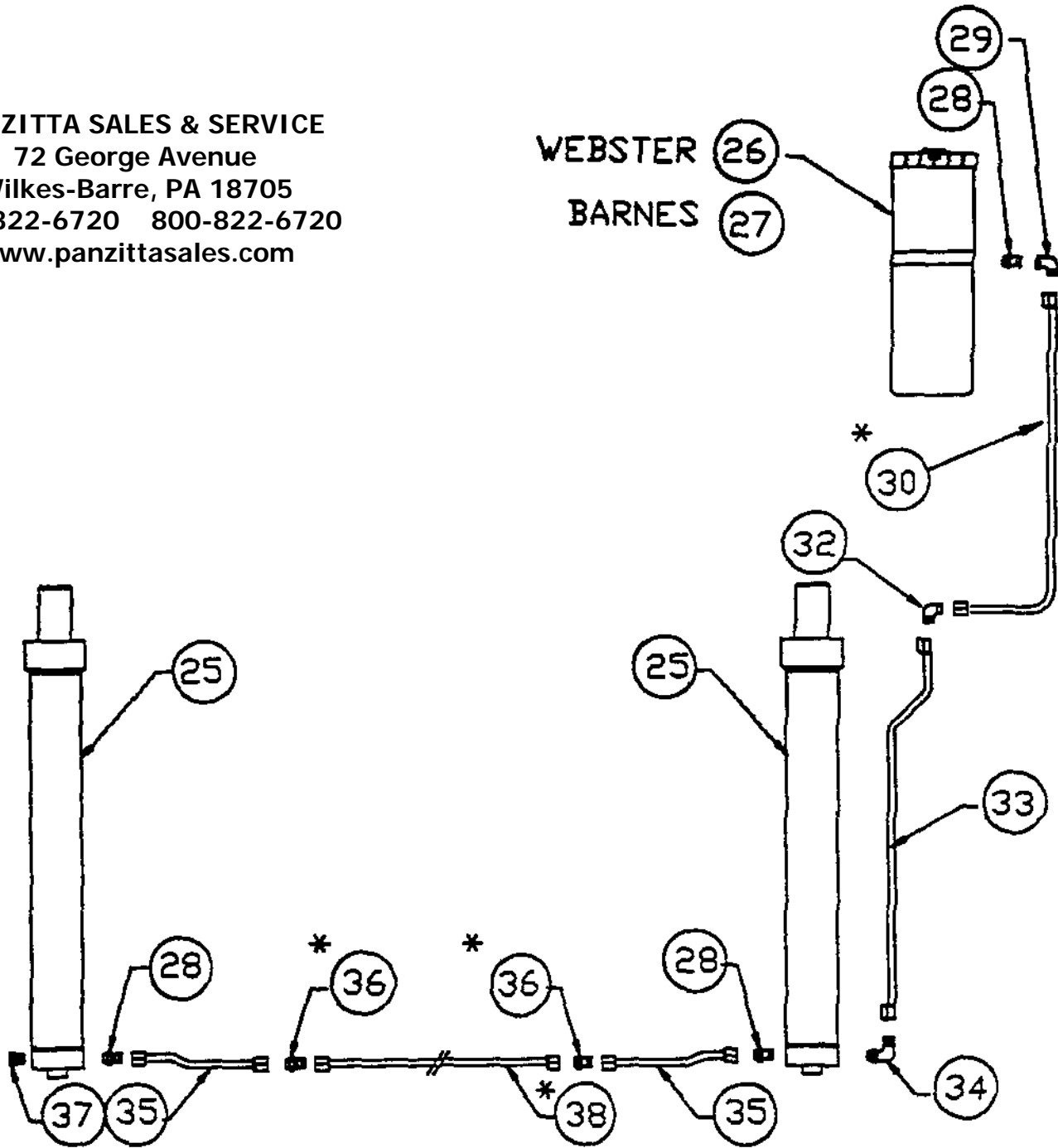
PANZITTA SALES & SERVICE  
 72 George Avenue  
 Wilkes-Barre, PA 18705  
 570-822-6720 800-822-6720  
 www.panzittasales.com

CHALLENGER SPIRIT  
 MODEL 30,000

| <u>ITEM</u> | <u>PARTS NO.</u>        | <u>QTY./LIFT</u> | <u>DISCRIPTION</u>                                                                                                      |
|-------------|-------------------------|------------------|-------------------------------------------------------------------------------------------------------------------------|
| 1           | 300004                  | 1                | POWER SIDE COLUMN COMPLETE                                                                                              |
| 2           | 300003                  | 1                | IDLER SIDE COLUMN COMPLETE                                                                                              |
| 3           | 300002                  | 2                | CARRIAGE ASSEMBLY (INCLUDES GRAVITY LATCH<br>ASSY. AND LIFT CHAIN)                                                      |
|             | 300001                  |                  | CARRIAGE WELDMENT ONLY WITH DECAL AND GROMM                                                                             |
| 4           | 200018                  | 1                | DRIVEOVER PLATE ASSY.                                                                                                   |
| 5           | 200019                  | 1                | DRIVEOVER TROUGH ASSY.                                                                                                  |
| 6           | <del>300009</del>       | 2                | SYNCHRONIZER CABLE (30024) 1 cable                                                                                      |
| 7           | 200004                  | 12               | ANCHOR BOLTS                                                                                                            |
| 8           | <del>200046</del>       | 2                | LIFT CHAIN 30019 (no must link)                                                                                         |
| 9           | 200032                  | 2                | CYLINDER ROD EXTENSION ASSEMBLY                                                                                         |
| 10          | 200144                  | 10               | WASHER SPACER                                                                                                           |
| 11          | 300012                  | 6                | PULLEY FOR SYNC CABLE                                                                                                   |
| 12          | 200011                  | 10               | SNAP RING                                                                                                               |
| 13          | 200202                  | 2                | JAM NUT FOR STOP BOLT                                                                                                   |
| 14          | 200166                  | 2                | 1/2" STOP BOLT                                                                                                          |
| 15          | 200100                  | 4                | STD. STEEL PAD WITH RUBBER INSERT (3 1/2" SC                                                                            |
| 16          | 200033                  | 4                | SWIVEL ARM PIN                                                                                                          |
| 17          | 200039                  | 2                | SOFT GRAVITY LATCH RELEASE HANDLE ASSY.                                                                                 |
| 18          | 200013                  | 16               | CARRIAGE SLIDE BLOCKS                                                                                                   |
| 19          | 200040                  | 2                | GRAVITY LATCH ASSY. (includes items 20,21,&2                                                                            |
| 20          | 200155                  | 2                | GRAVITY LATCH RELEASE BAR LOCKNUT                                                                                       |
| 21          | 200154                  | 2                | GRAVITY LATCH RELEASE BAR                                                                                               |
| 22          | 200156 31211            | 2                | GRAVITY LATCH RELEASE BAR STOP PIN                                                                                      |
| 23          | 200151                  | 2                | GRAVITY LATCH MOUNTING BOLT                                                                                             |
| 24          | 200152                  | 2                | GRAVITY LATCH MOUNTING LOCKNUT                                                                                          |
| 25          | <del>200001</del> 31265 | 2                | HYDRAULIC CYLINDER (SPECIFY SERIAL NUMBER)                                                                              |
| 26          | 200072                  |                  | [ WEBSTER POWER PACK 230V SINGLE PHASE<br>BARNES POWER PACK 230V SINGLE PHASE<br>BARNES POWER PACK 230/460V THREE PHASE |
| 27          | 200002                  |                  |                                                                                                                         |
|             | 200020                  | 1<br>only        |                                                                                                                         |
| 28          | 200096                  | 3                | HYDRAULIC STRAIGHT CONNECTOR "O" RING x TUBE                                                                            |
| 29          | 200025                  | 1                | HYDRAULIC 90 SWIVEL ELBOW                                                                                               |
| 30          | 200241                  | 1                | HYDRAULIC LINE POWER PACK TO BACK OF COLUMN                                                                             |

# DRIVE OVER HYDRAULIC SYSTEM MODEL 30,000

PANZITTA SALES & SERVICE  
72 George Avenue  
Wilkes-Barre, PA 18705  
570-822-6720 800-822-6720  
www.panzittasales.com



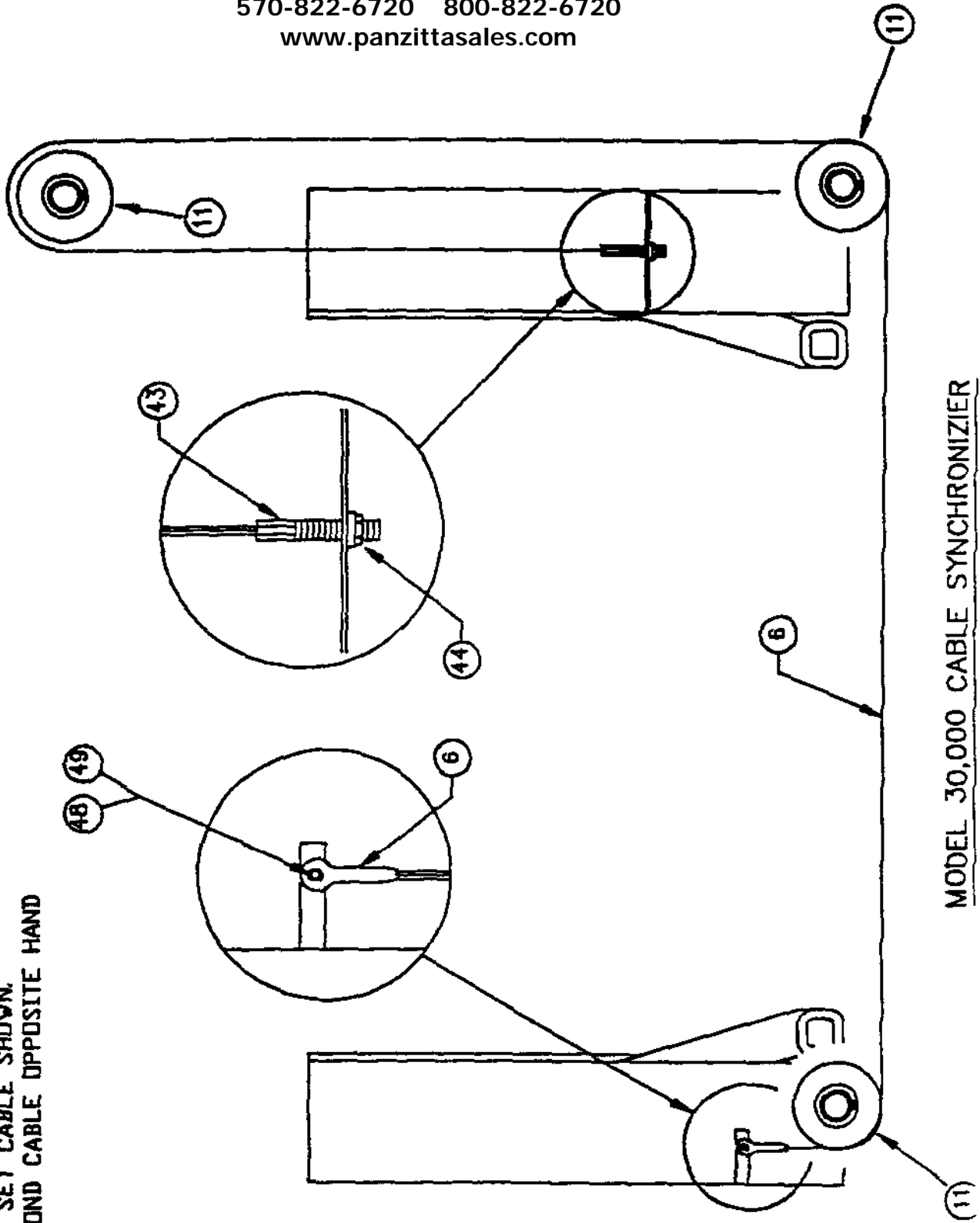
\* PART NO. 200250 HYD. LINE PACKAGE SHIPPED LOOSE IN COLUMN

PANZITTA SALES & SERVICE  
 72 George Avenue  
 Wilkes-Barre, PA 18705  
 570-822-6720 800-822-6720  
 www.panzittasales.com

CHALLENGER SPIRIT  
 MODEL 30,000

| <u>ITER</u> | <u>PARTS NO.</u>        | <u>QTY./LIFT</u> | <u>DISCRIPTION</u>                                                                  |
|-------------|-------------------------|------------------|-------------------------------------------------------------------------------------|
| 32          | 200007                  | 1                | HYDRAULIC LINE 90 ELBOW TUBE X TUBE                                                 |
| 33          | 200038                  | 1                | HYDRAULIC LINE CYL. TO BACK OF COLUMN                                               |
| 34          | 200008                  | 1                | HYDRAULIC 90 ELBOW "O" RING X TUBE                                                  |
| 35          | 200095                  | 2                | HYDRAULIC LINE CYL. TO DRIVEOVER LINE                                               |
| 36          | 200014                  | 3                | HYDRAULIC STRAIGHT UNION TUBE X TUBE                                                |
| 37          | 200058                  | 1                | HYDRAULIC "O" RING PLUG                                                             |
| 38          | 200009                  | 1                | HYDRAULIC LINE DRIVEOVER                                                            |
| 39          | 200148                  | 4                | LIFT CHAIN PIN                                                                      |
| 40          | 200047                  | 2                | CLAMP FOR HYDRAULIC CYLINDER                                                        |
| 44          | <del>300010</del> 31068 | 2                | LOCKNUT ADJUSTMENT STUD                                                             |
| 46          | 200134 11078            | 4                | RUBBER GROMMET                                                                      |
| 47          | 200026                  | 1SET             | RUBBER DOOR CUSHION (ONE SET OF 6pcs)                                               |
| 48          | 300008                  | 2                | BOLT - SYNC. CABLE EYE                                                              |
| 49          | 300013                  | 2                | LOCKNUT - SYNC. CABLE EYE                                                           |
| 50          | 200153                  | 2                | COTTER KEY FOR GAVITY LATCH HANDLE                                                  |
|             | 300011                  | 1                | DECAL SET                                                                           |
|             | 300015                  | 1                | HARDWARE BOX                                                                        |
|             | 300014                  | 1                | INSTALLATION AND OPERATION MANUAL                                                   |
|             | 200249                  | 1                | A.L.I. LIFTING MANUAL                                                               |
|             | 200250                  | 1                | HYDRAULIC LINE PACKAGE (SHIPPED LOOSE IN COLUMN,<br>INCLUDES ITEMS 30, 2-36 and 38) |

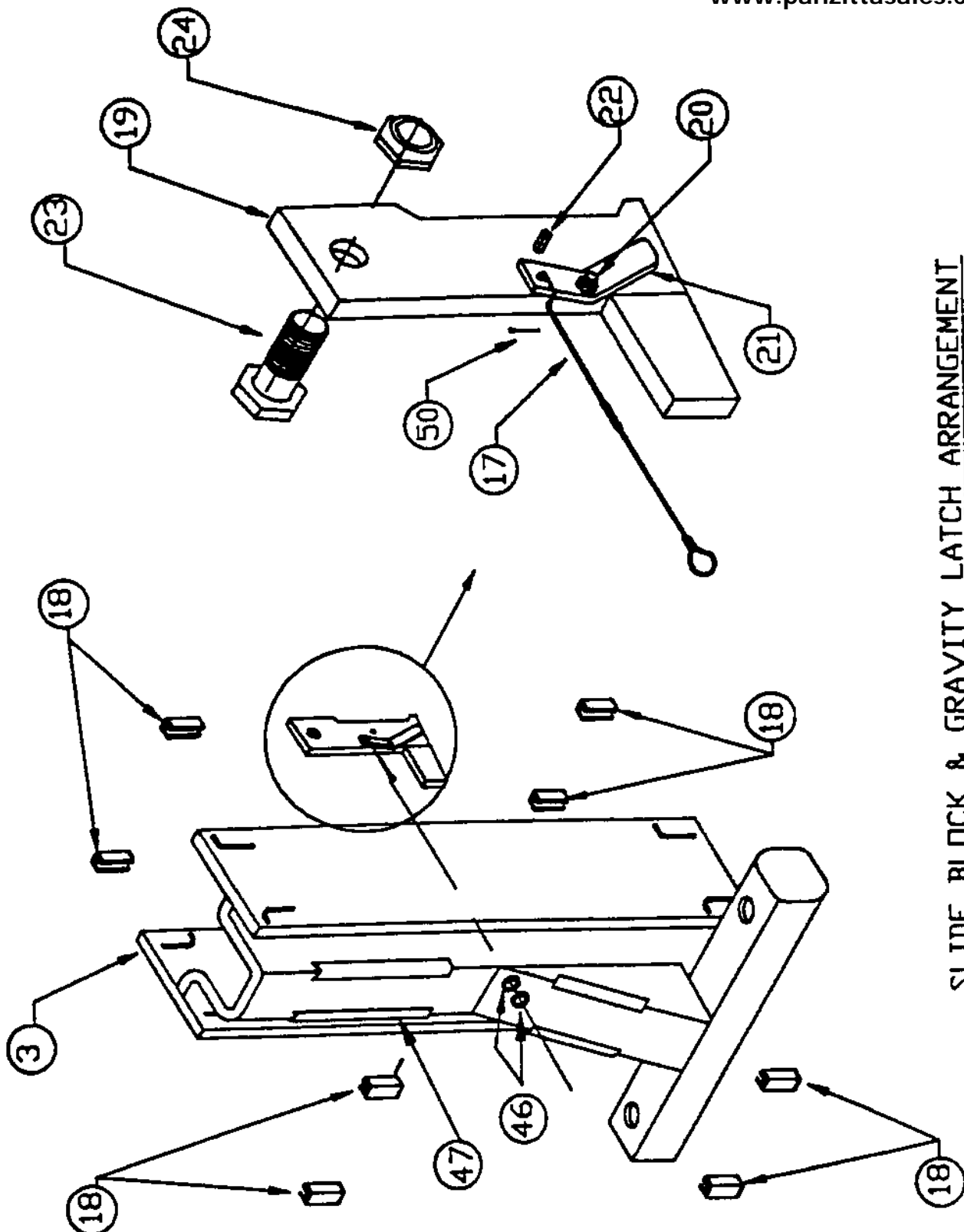
PANZITTA SALES & SERVICE  
72 George Avenue  
Wilkes-Barre, PA 18705  
570-822-6720 800-822-6720  
www.panzittasales.com



MODEL 30,000 CABLE SYNCHRONIZER

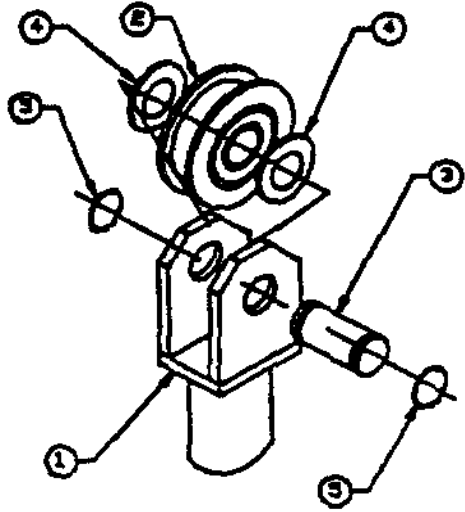
NOTE:  
ONE SET CABLE SHOWN.  
SECOND CABLE OPPOSITE HAND

PANZITTA SALES & SERVICE  
72 George Avenue  
Wilkes-Barre, PA 18705  
570-822-6720 800-822-6720  
www.panzittasales.com



SLIDE BLOCK & GRAVITY LATCH ARRANGEMENT

MODEL 30 000



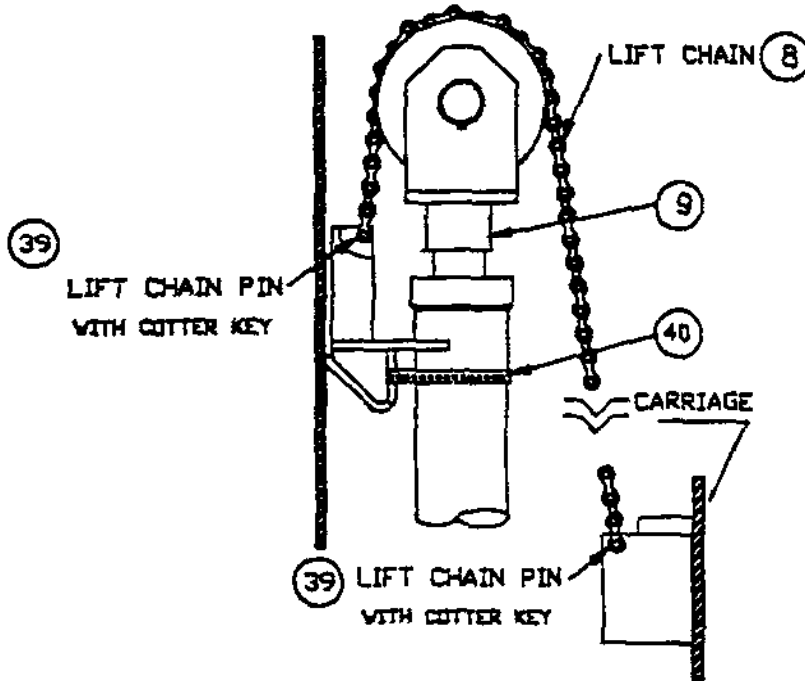
CYLINDER ROD EXTENSION ASS'Y  
 PART NUMBER 200032

③

ASS'Y PARTS LIST

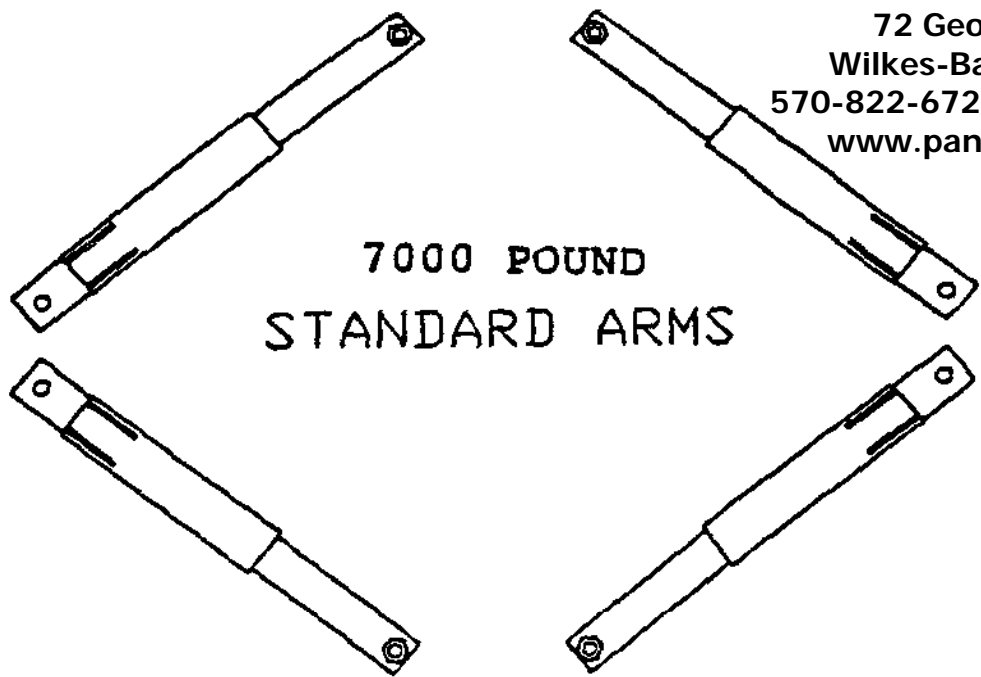
| NO. | DESCRIPTION   | PART NO. |
|-----|---------------|----------|
| 1   | TANG WELDMENT | 200029   |
| 2   | ROLLER ASS'Y  | 200031   |
| 3   | PIN - ROLLER  | 200030   |
| 4   | SPACER WASHER | 200144   |
| 5   | RETAINER RING | 200011   |

PANZITTA SALES & SERVICE  
 72 George Avenue  
 Wilkes-Barre, PA 18705  
 570-822-6720 800-822-6720  
 www.panzittasales.com



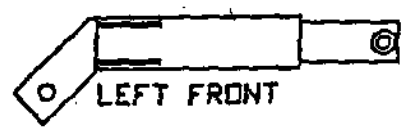
DRIVE CHAIN ASS'Y  
 MODEL 30,000

PANZITTA SALES & SERVICE  
 72 George Avenue  
 Wilkes-Barre, PA 18705  
 570-822-6720 800-822-6720  
 www.panzittasales.com

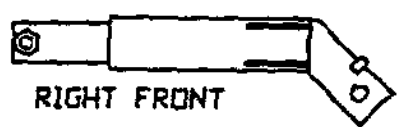


7000 POUND  
 STANDARD ARMS

| DESCRIPTION                                           | FOOT PAD STYLE                  | PART NO. |
|-------------------------------------------------------|---------------------------------|----------|
| SET 7000 STD. ARMS INCLUDES<br>ARM PINS AND FOOT PADS | 3 1/4" STEEL WITH RUBBER INSERT | 200199   |
|                                                       | 3 1/4" FLAT RUBBER PAD          | 200059   |
| 7000 STANDARD ARM ONLY                                |                                 | 200048   |

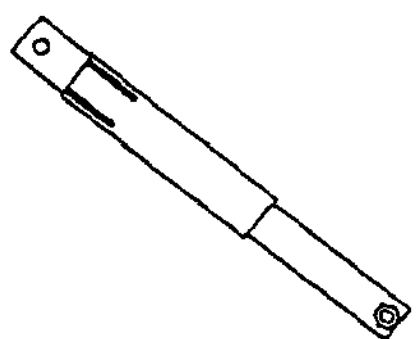


LEFT FRONT

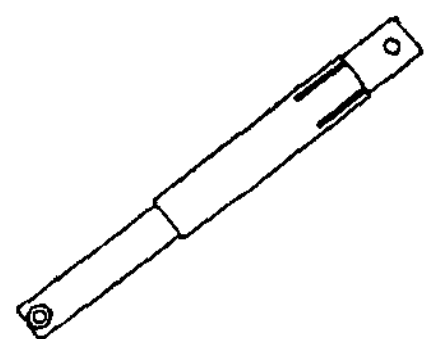


RIGHT FRONT

7000 POUND  
 ASYMMETRICAL



DRIVE  
 UP



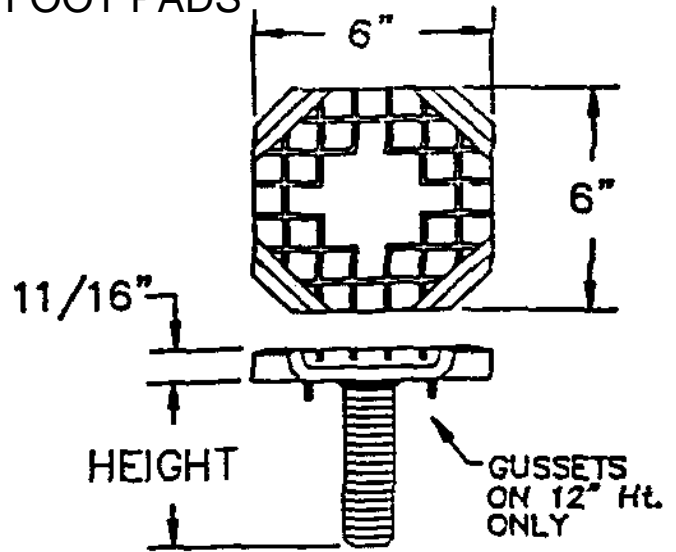
| DESCRIPTION                                                 | FOOT PAD STYLE                  | PART NO. |
|-------------------------------------------------------------|---------------------------------|----------|
| SET 7000 ASYMMETRICAL ARMS<br>INCLUDES ARM PINS & FOOT PADS | 3 1/4" STEEL WITH RUBBER INSERT | 200198   |
|                                                             | 3 1/4" FLAT RUBBER PAD          | 200060   |
| 7000 LEFT FRONT ASYM. ARM ONLY                              |                                 | 200052   |
| 7000 RIGHT FRONT ASYM. ARM ONLY                             |                                 | 200051   |
| 7000 REAR ASYM. ARM ONLY                                    |                                 | 200050   |

# CHALLENGER FOOT PADS

## STEEL PAD WITH RUBBER INSERT (REPLACEABLE RUBBER INSERT)

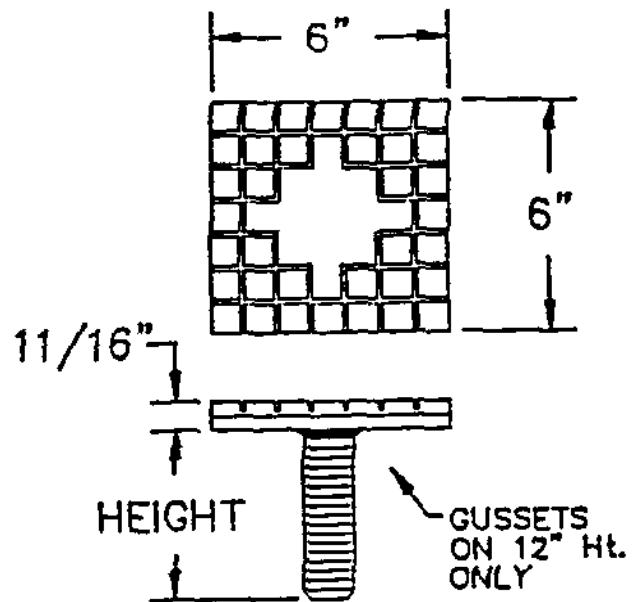
| HEIGHT | PART NO. |
|--------|----------|
| 3.5"   | * 200100 |
| 4.5"   | 200079   |
| 8"     | 200083   |
| 10"    | 200084   |
| 12"    | 200085   |

\* STD. WITH NEW LIFT  
Replaceable Pad Kit #200086



## FLAT STYLE RUBBER PAD (NON-REPLACEABLE RUBBER)

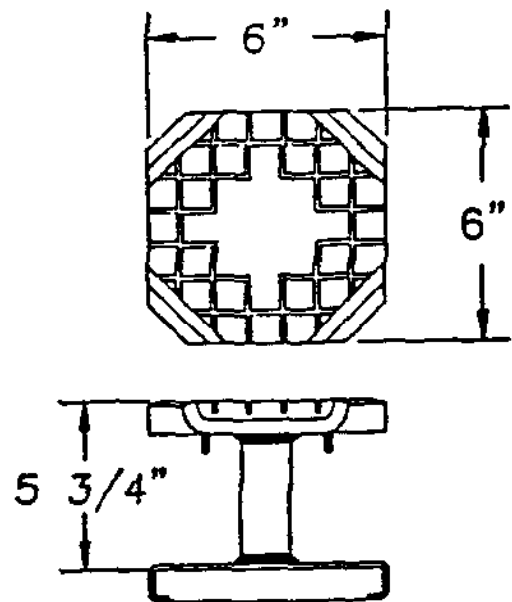
| HEIGHT | PART NO. |
|--------|----------|
| 3.5"   | 200099   |
| 4.5"   | 200034   |
| 8"     | 200035   |
| 10"    | 200142   |
| 12"    | 200127   |



## SLIP ON EXTENSION PAD (FITS STEEL PAD WITH RUBBER INSERT)

PANZITTA SALES & SERVICE  
72 George Avenue  
Wilkes-Barre, PA 18705  
570-822-6720 800-822-6720  
www.panzittasales.com

REPLACEMENT INSERT KIT  
PART #200086



PART NO. 200188