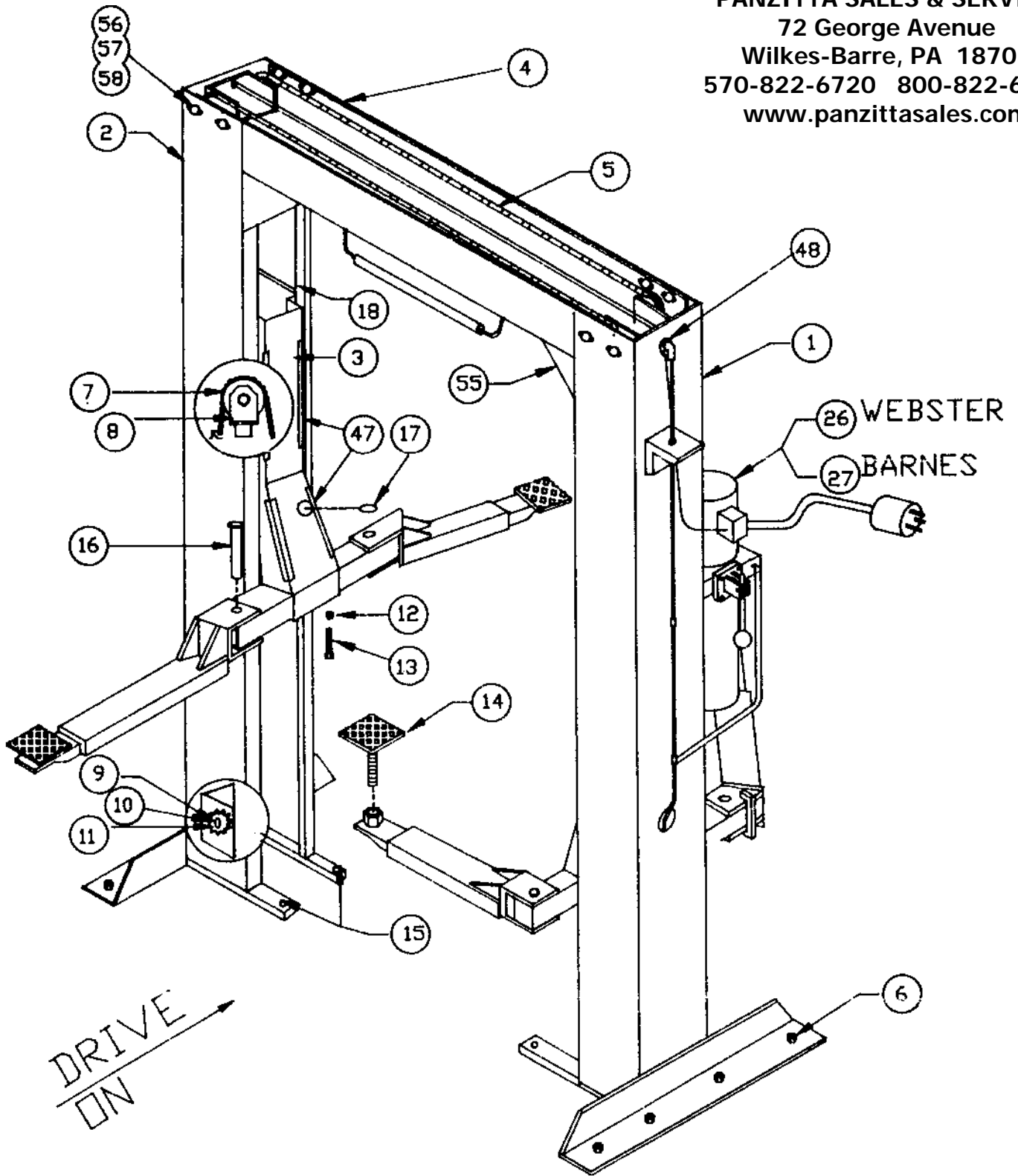
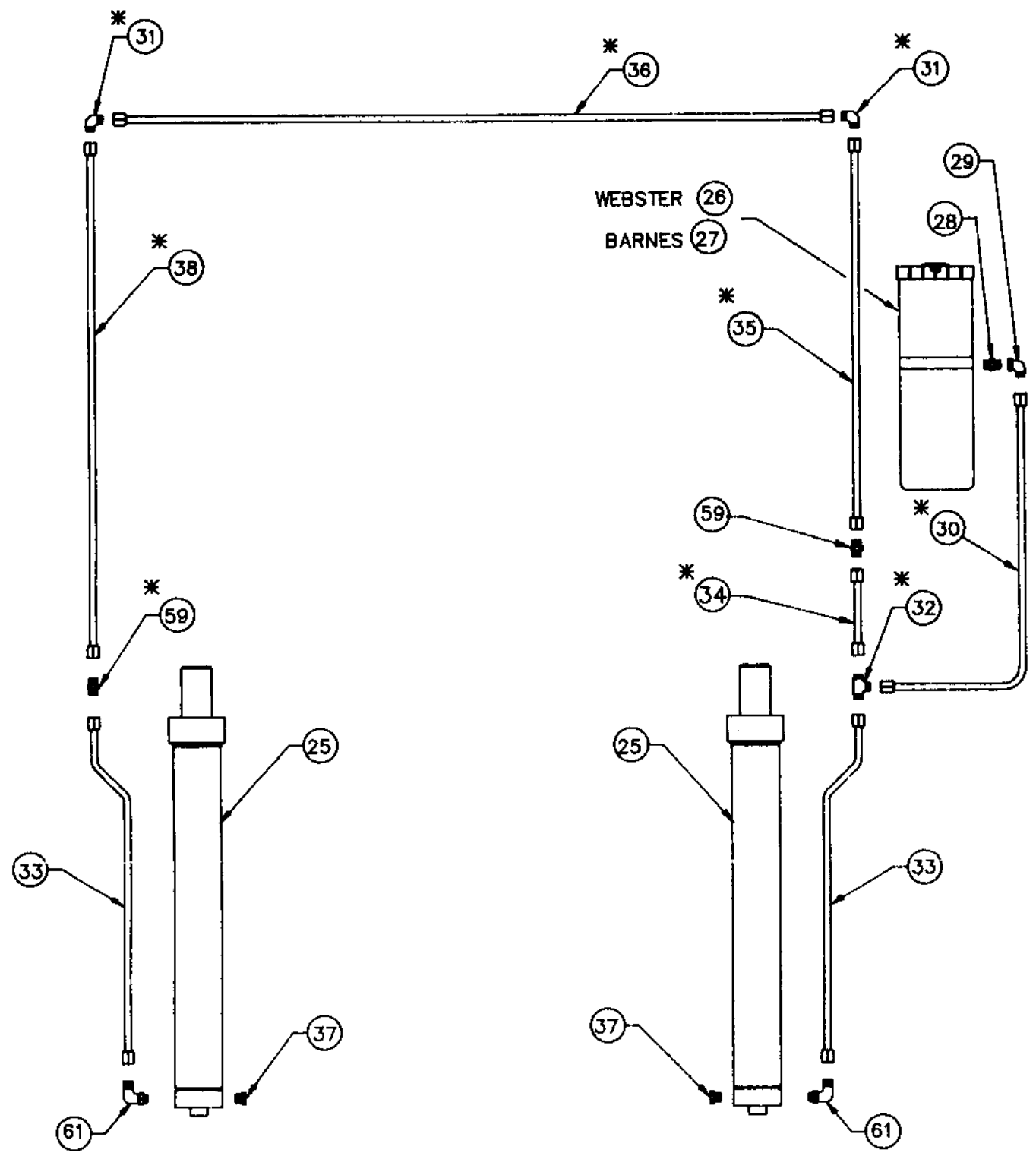


PANZITTA SALES & SERVICE
72 George Avenue
Wilkes-Barre, PA 18705
570-822-6720 800-822-6720
www.panzittasales.com



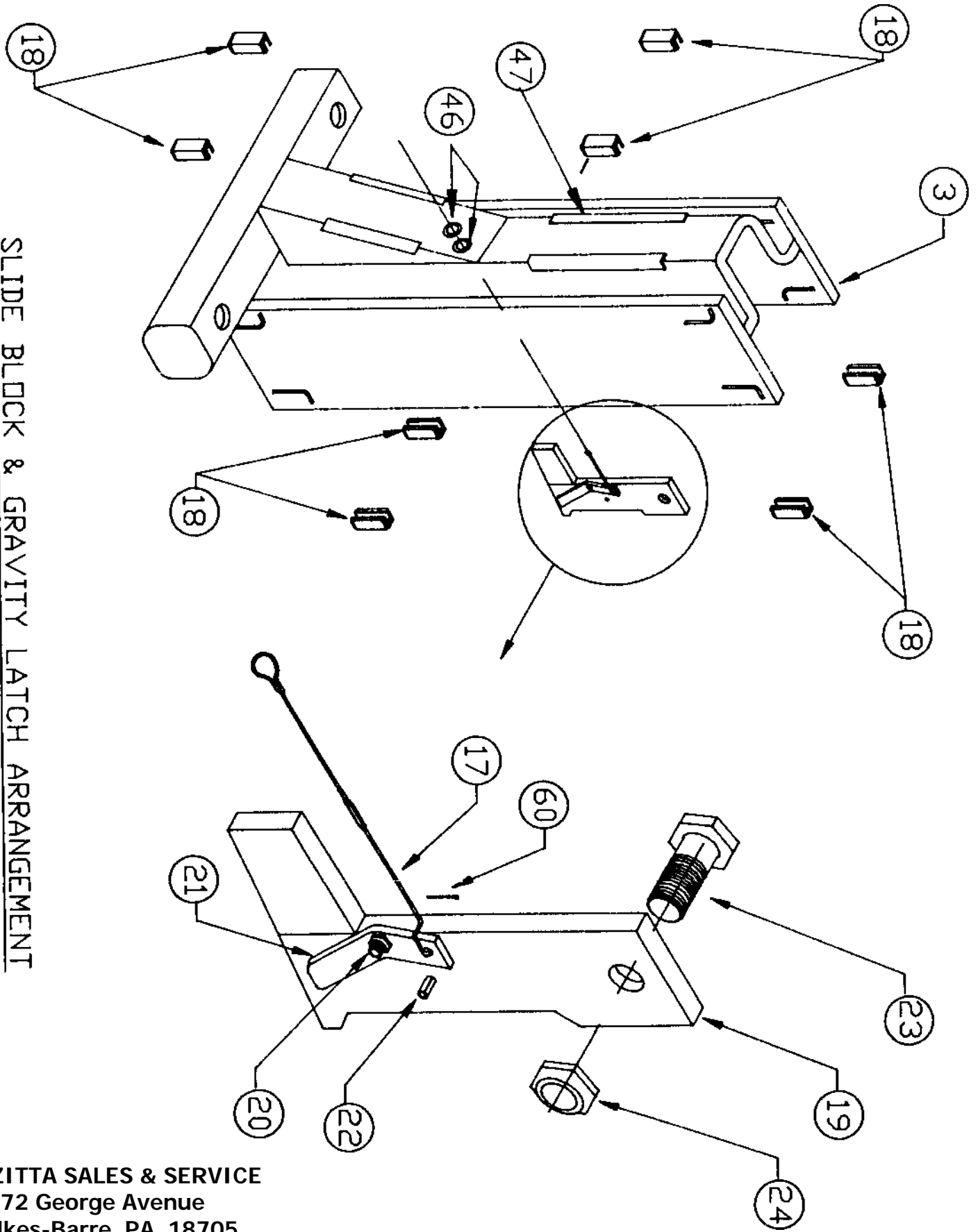
CHALLENGER 2 MODEL 21,000

OVER HEAD HYDRAULIC SYSTEM
 MODEL 21,000



*PART NO, 210050 HYD. LINE PACKAGE SHIPPED LOOSE IN COLUMN

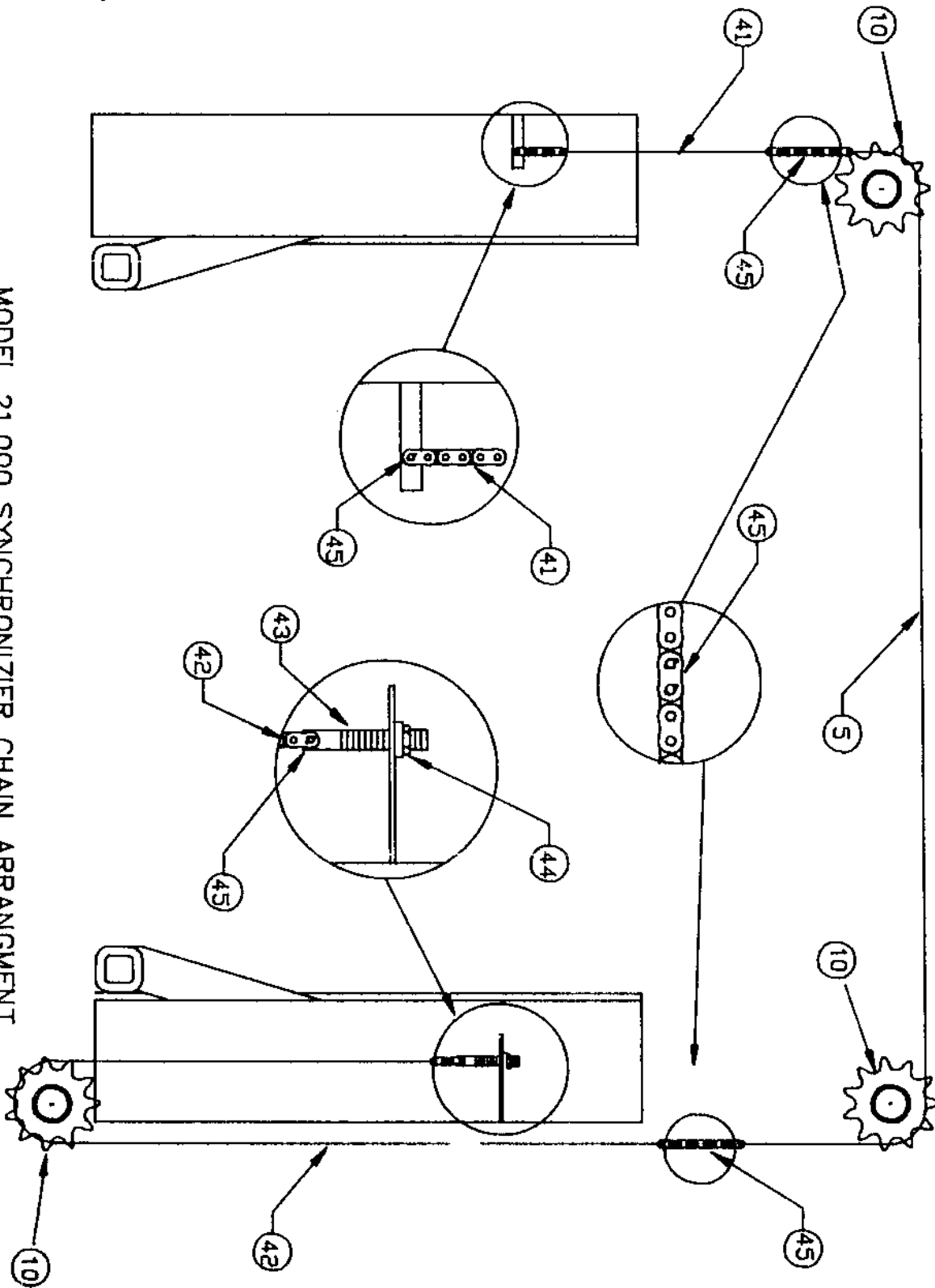
SLIDE BLOCK & GRAVITY LATCH ARRANGEMENT
 MODEL 21,000



PANZITTA SALES & SERVICE
 72 George Avenue
 Wilkes-Barre, PA 18705
 570-822-6720 800-822-6720
 www.panzittasales.com

PANZITTA SALES & SERVICE
72 George Avenue
Wilkes-Barre, PA 18705
570-822-6720 800-822-6720
www.panzittasales.com

NOTE:
ONE SET SYNCHRD. CHAIN SHOWN.
SECOND SYNCHRD. CHAIN OPPOSITE HAND



MODEL 21,000 SYNCHRONIZER CHAIN ARRANGEMENT

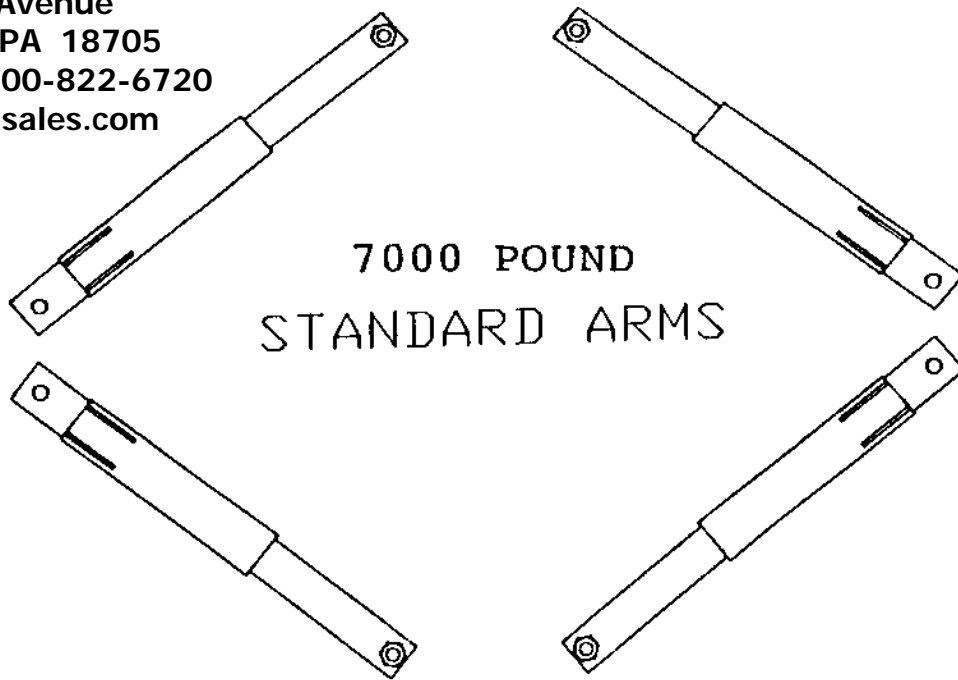
PANZITTA SALES & SERVICE

72 George Avenue

Wilkes-Barre, PA 18705

570-822-6720 800-822-6720

www.panzittasales.com



**7000 POUND
STANDARD ARMS**

| DESCRIPTION | FOOT PAD STYLE | PART NO. |
|--|---------------------------------|----------|
| SET 7000# STD. ARMS INCLUDES ARM PINS AND FOOT PADS | 3 1/4" STEEL WITH RUBBER INSERT | 200199 |
| | 3 1/4" FLAT RUBBER PAD | 200059 |
| 7000# STANDARD ARM ONLY | | 200048 |

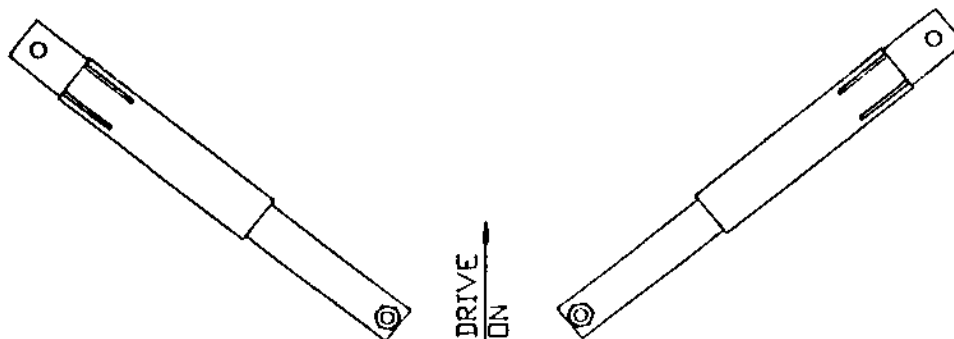


LEFT FRONT



RIGHT FRONT

**7000 POUND
ASYMMETRICAL**



| DESCRIPTION | FOOT PAD STYLE | PART NO. |
|--|---------------------------------|----------|
| SET 7000# ASYMMETRICAL ARMS INCLUDES ARM PINS & FOOT PADS | 3 1/4" STEEL WITH RUBBER INSERT | 200198 |
| | 3 1/4" FLAT RUBBER PAD | 200060 |
| 7000# LEFT FRONT ASYM. ARM ONLY | | 200052 |
| 7000# RIGHT FRONT ASYM. ARM ONLY | | 200051 |
| 7000# REAR ASYM. ARM ONLY | | 200050 |

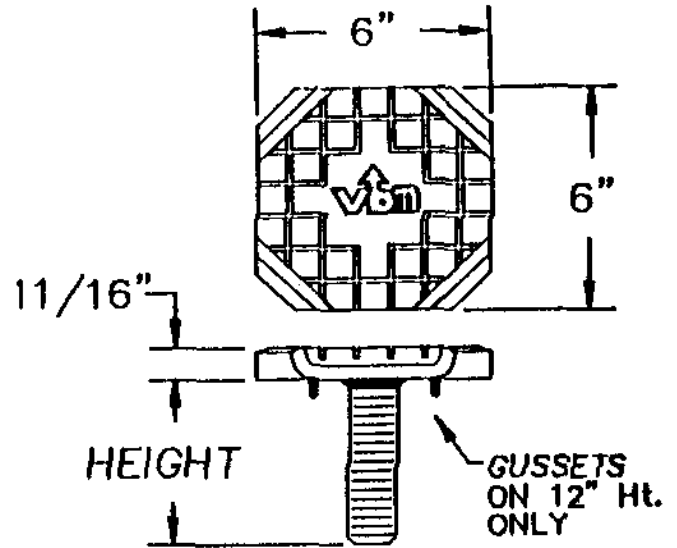
CHALLENGER FOOT PADS

STEEL PAD WITH RUBBER INSERT (REPLACEABLE RUBBER INSERT)

| HEIGHT | PART NO. |
|--------|----------|
| 3.5" | * 200100 |
| 4.5" | 200079 |
| 8" | 200083 |
| 10" | 200084 |
| 12" | 200085 |

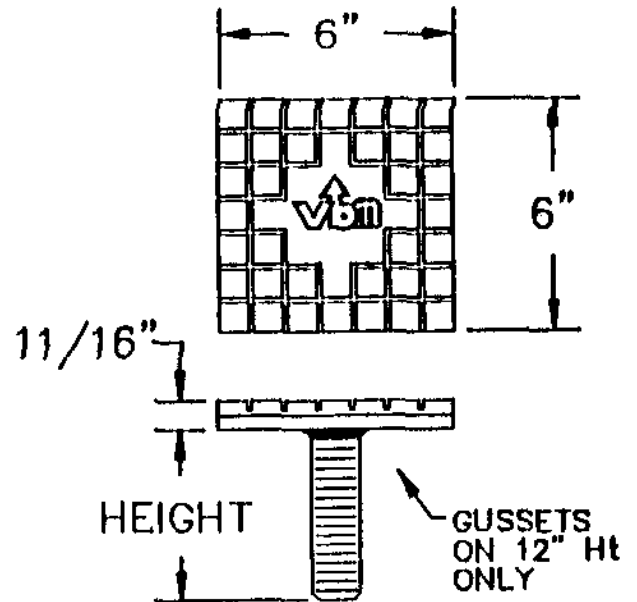
* STD. WITH NEW LIFT

Replaceable Pad Kit #200086



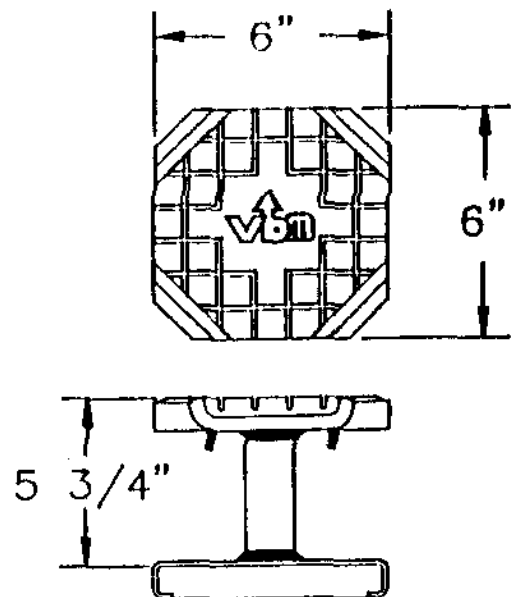
FLAT STYLE RUBBER PAD (NON-REPLACEABLE RUBBER)

| HEIGHT | PART NO. |
|--------|----------|
| 3.5" | 200099 |
| 4.5" | 200034 |
| 8" | 200035 |
| 10" | 200142 |
| 12" | 200127 |

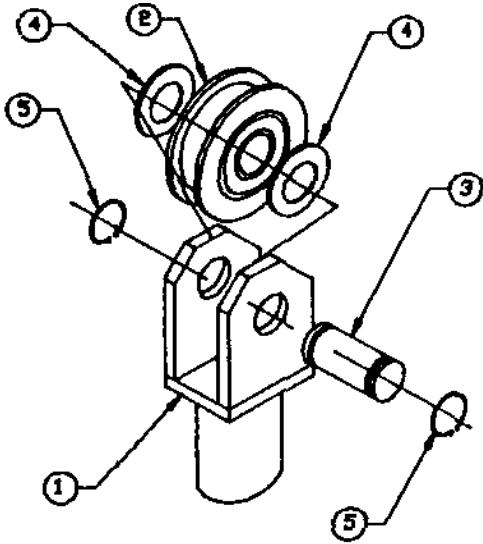


SLIP ON EXTENSION PAD (FITS STEEL PAD WITH RUBBER INSERT)

REPLACEMENT INSERT KIT
PART #200086



PART NO. 200188

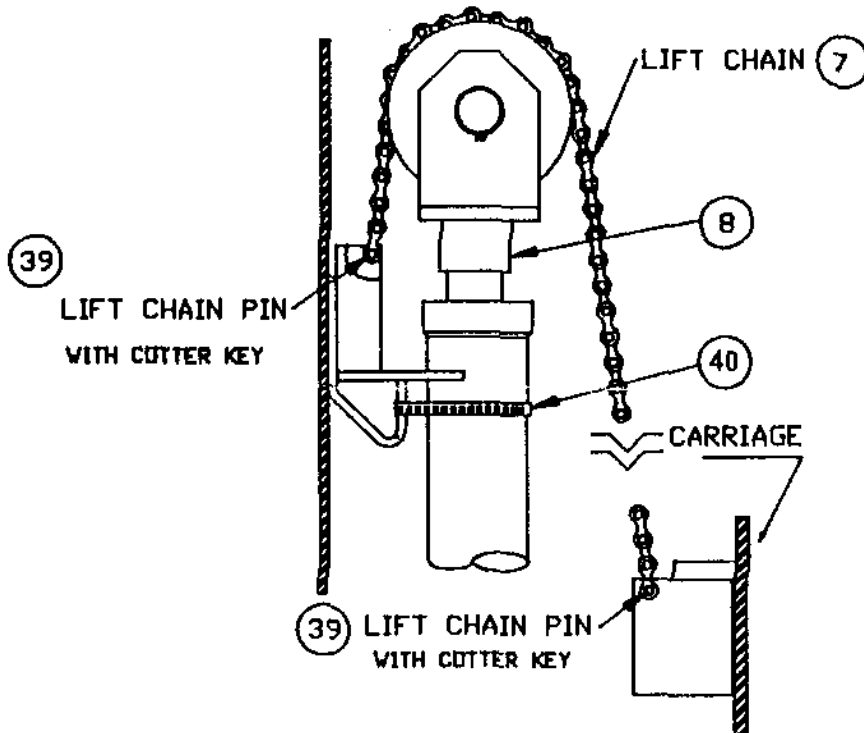


CYLINDER ROD EXTENSION ASS'Y
 PART NUMBER 200032
 ITEM ⑧

ASS'Y PARTS LIST

| NO. | DESCRIPTION | PART NO. |
|-----|---------------|----------|
| 1 | TANG WELDMENT | 200029 |
| 2 | ROLLER ASS'Y | 200031 |
| 3 | PIN - ROLLER | 200030 |
| 4 | SPACER WASHER | 200144 |
| 5 | RETAINER RING | 200011 |

PANZITTA SALES & SERVICE
 72 George Avenue
 Wilkes-Barre, PA 18705
 570-822-6720 800-822-6720
 www.panzittasales.com

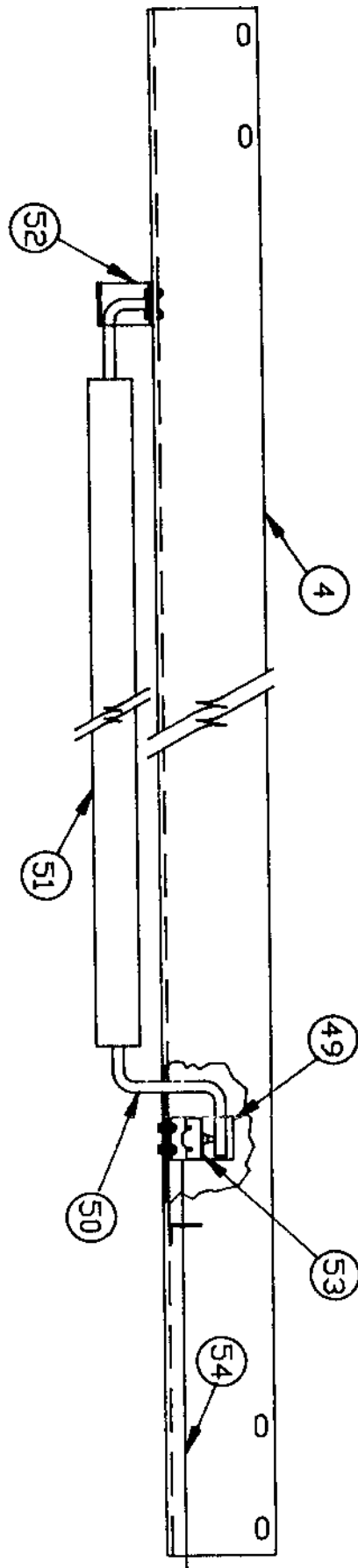


DRIVE CHAIN ASS'Y

MODEL 21,000, 28,000, 31,000, 33,000 & 35,000

PANZITTA SALES & SERVICE
72 George Avenue
Wilkes-Barre, PA 18705
570-822-6720 800-822-6720
www.panzittasales.com

SHUTOFF BAR ASSEMBLY
MODEL 21,000



PANZITTA SALES & SERVICE
 72 George Avenue
 Wilkes-Barre, PA 18705
 570-822-6720 800-822-6720
 www.panzittasales.com

**CHALLENGER 2
 MODEL 21,000**

| <u>ITEM</u> | <u>PARTS NO.</u> | <u>QTY./LIFT</u> | <u>DISCRIPTION</u> |
|-------------|------------------|------------------|---|
| 1 | 210019 | 1 | POWER SIDE COLUMN COMPLETE |
| 2 | 210017 | 1 | IDLER SIDE COLUMN COMPLETE |
| 3 | 210002 | 2 | CARRIAGE ASSEMBLY (INCLUDES GRAVITY LATCH ASSY. AND LIFT CHAIN) |
| | 210001 | | CARRIAGE WELDMENT ONLY WITH DECAL AND GROMMET |
| 4 | 210003 | 1 | OVERHEAD ASSEMBLY |
| 5 | 210023 | 2 | SYNCHRONIZIER CHAIN OVERHEAD CHAIN 269 p |
| 6 | 200004 | 8 | ANCHOR BOLTS |
| 7 | 200046 | 2 | LIFT CHAIN |
| 8 | 200032 | 2 | CYLINDER ROD EXTENSION ASSEMBLY |
| 9 | 200144 | 10 | WASHER SPACER |
| 10 | 200021 | 6 | SPROCKET FOR SYNCHRONIZIER CHAIN |
| 11 | 200011 | 10 | SNAP RING |
| 12 | 200202 | 2 | JAM NUT FOR STOP BOLT |
| 13 | 200166 | 2 | 1/2" STOP BOLT |
| 14 | 200100 | 4 | STD. STEEL PAD WITH RUBBER INSERT (3 1/2" SCREW) |
| 15 | 210047 | 4 | PLASTIC PLUG FOR BASE |
| 16 | 200033 | 4 | SWIVEL ARM PIN |
| 17 | 200039 | 2 | SOFT GRAVITY LATCH RELEASE HANDLE ASSY |
| 18 | 200013 | 16 | SLIDE BLOCK-CARRIAGE |
| 19 | 200040 | 2 | GRAVITY LATCH ASS'Y (includes items 20,21,&22) |
| 20 | 200155 | 2 | GRAVITY LATCH RELEASE BAR LOCKNUT |
| 21 | 200154 | 2 | GRAVITY LATCH RELEASE BAR |
| 22 | 200156 | 2 | GRAVITY LATCH RELEASE BAR STOP PIN |
| 23 | 200151 | 2 | GRAVITY LATCH MOUNTING BOLT |
| 24 | 200152 | 2 | GRAVITY LATCH MOUNTING LOCKNUT |
| 25 | 200001 | 2 | HYDRAULIC CYLINDER (SPECIFY SERIAL NUMBER) |
| 26 | 200072 | 1 | WEBSTER POWER PACK 230V SINGLE PHASE |
| 27 | 200002 | ONLY | BARNES POWER PACK 230V SINGLE PHASE |
| | 200020 | | BARNES POWER PACK 460/230V THREE PHASE |
| 28 | 200096 | 1 | HYDRAULIC STRAIGHT CONNECTOR "O" RING X TUBE |
| 29 | 200025 | 1 | HYDRAULIC 90 SWIVEL ELBOW |
| 30 | 200241 | 1 | HYDRAULIC LINE POWER PACK TO BACK OF COLUMN |
| 31 | 200007 | 2 | HYDRAULIC 90 DEG. ELBOW TUBE X TUBE |

PANZITTA SALES & SERVICE
 72 George Avenue
 Wilkes-Barre, PA 18705
 570-822-6720 800-822-6720
 www.panzittasales.com

CHALLENGER 2
 MODEL 21,000

| <u>ITEM</u> | <u>PART NO.</u> | <u>QTY./LIFT</u> | <u>DISCRIPTION</u> |
|-------------|-----------------|------------------|--|
| 32 | 210005 | 1 | HYDRAULIC TEE TUBE X TUBE X TUBE |
| 33 | 200038 | 2 | HYDRAULIC LINE CYL. TO BACK OF COLUMN |
| 34 | 210022 | 1 | HYDRAULIC LINE EXTENSION |
| 35 | 210014 | 1 | HYDRAULIC LINE TEE TO OVERHEAD |
| 36 | 210007 | 1 | HYDRAULIC LINE OVERHEAD |
| 37 | 200058 | 2 | HYDRAULIC "O" RING PLUG |
| 38 | 210013 | 1 | HYDRAULIC LINE OVERHEAD TO BACKSIDE IDLER SIDE |
| 39 | 200148 | 4 | LIFT CHAIN PIN |
| 40 | 200047 | 2 | CLAMP FOR HYDRAULIC CYLINDER |
| 41 | 200045 | 2 | SYNCHRONIZIER CHAIN LOWER 28 p |
| 42 | 210011 | 2 | SYNCHRONIZIER CHAIN UPPER 110 p |
| 43 | 200044 | 2 | ADJUSTMENT STUD FOR SYNC CHAIN UPPER |
| 44 | 200064 | 2 | LOCKNUT FOR ADJUSTMENT STUD |
| 45 | 200006 | 8 | MASTER LINK FOR SYNCHRONIZIER CHAIN |
| 46 | 200134 | 4 | RUBBER GROMMET-CARRIAGE |
| 47 | 200026 | 1 SET | RUBBER DOOR CUSHION (ONE SET OF 6 pcs) |
| 48 | 210021 | 2 | RUBBER GROMMET FOR TOP OF COLUMN |
| 49 | 210044 | 1 | LIMIT SWITCH MTG. BRKT. |
| 50 | 210042 | 1 | SHUTOFF BAR OVERHEAD (WITH CUSHION) |
| 51 | 210046 | 1 | SHUTOFF BAR CUSHION |
| 52 | 210045 | 1 | PIVOT BRACKET |
| 53 | 210043 | 1 | LIMIT SWITCH |
| 54 | 210031 | 1 | WIRE OVERHEAD |
| 55 | 210004 | 2 | GUSSET |
| 56 | 210027 | 8 | BOLT FOR OVERHEAD |
| 57 | 210028 | 8 | NUT FOR OVERHEAD |
| 58 | 210029 | 8 | FLAT WASHER FOR OVERHEAD |
| 59 | 200014 | 2 | HYDRAULIC UNION STRAIGHT |
| 60 | 200153 | 2 | COTTER KEY FOR GRAVITY LATCH HANDLE |
| 61 | 200008 | 2 | HYDRAULIC 90 DEG. CONNECTOR "O"RING X TUBE |
| | 210009 | 1 | DECAL SET |
| | 210033 | 1 | HARDWARE BOX |
| | 210036 | 1 | INSTALLATION AND OPERATION MANUAL |
| | 200249 | 1 | A.L.I. LIFTING MANUAL |
| | 210050 | 1 | HYDRAULIC LINE PACKAGE (SHIPPED LOOSE IN COLUMN, INCLUDES ITEMS 30, 31, 34, 35, 36, 38, and 1-59) |