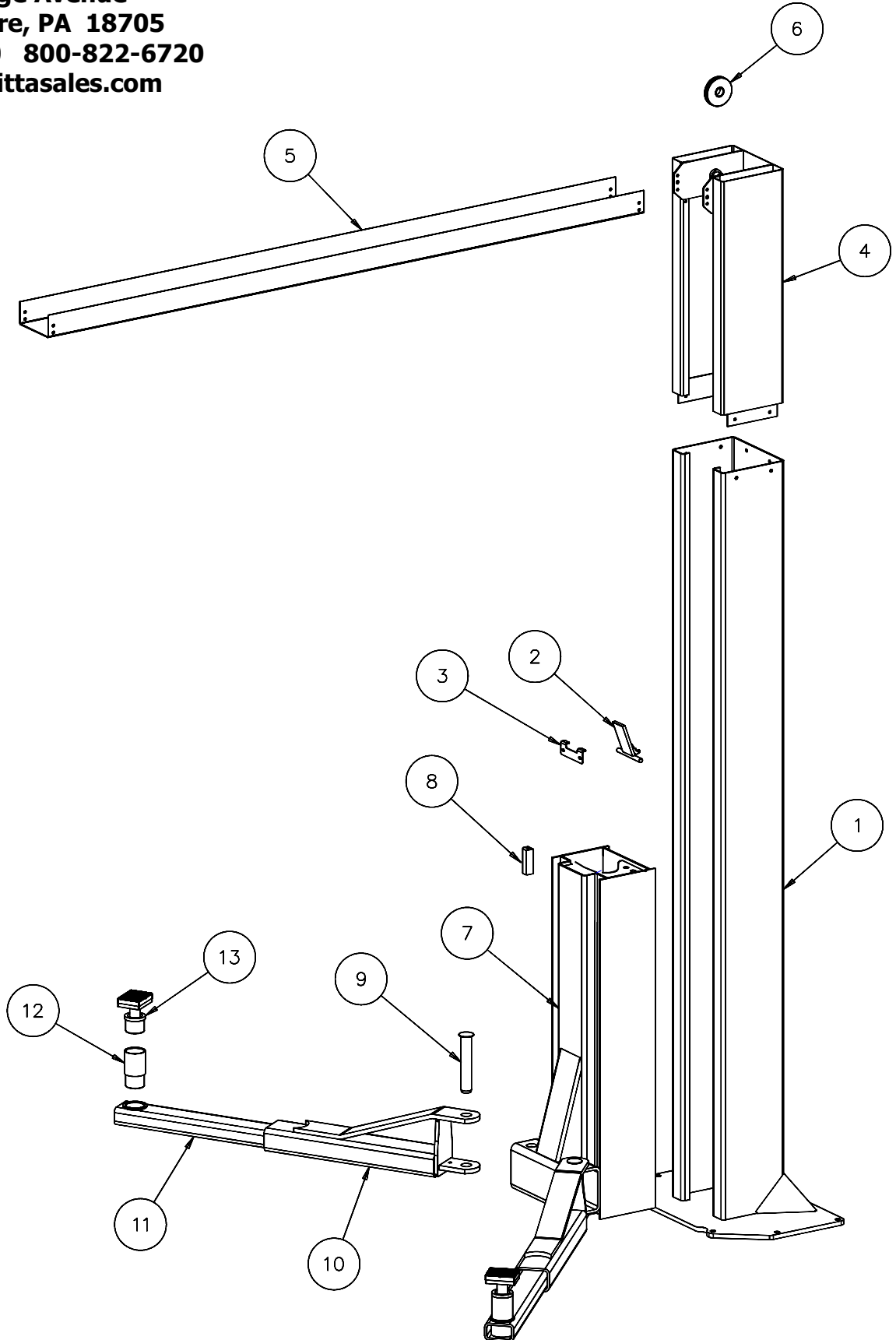


Model 12000  
Installation, Operation and Maintenance

PANZITTA SALES & SERVICE  
72 George Avenue  
Wilkes-Barre, PA 18705  
570-822-6720 800-822-6720  
www.panzittasales.com



# **PARTS BREAKDOWN**

## **MODEL 12000**

<b>ITEM #</b>	<b>PART #</b>	<b>#/LIFT</b>	<b>DESCRIPTION</b>
1	12510	1	POWER COLUMN WELD
	12511	1	IDLER COLUMN WELD
2	12516	2	LOCK WELD
3	12518	2	LOCK RETAINER
	12073	4	5/16-18NC BUT.HD.CS X 1/2 LG
	37025	2	AIR CYLINDER ASSEMBLY
	12088	2	EXTENSION SPRING
4	12534	2	COLUMN EXTENSION WELD
	31035	28	3/8-16NC X 1 HEX HD. CAP SCREW
	31036	28	3/8 FLAT WASHER
	31038	28	3/8-16NC HEX NUT
5	12540	1	OVERHEAD WELD
	12542	1	OVERHEAD SHUTOFF BAR ASSY
	12045	1	MERCURY SWITCH
	12531	2	SYNCHRONIZER CABLE ASSY
	12574	2	CABLE EXTENSION ( <b>model 12001</b> )
	12574	4	CABLE EXTENSION ( <b>model 12002</b> )
6	31019	6	CABLE PULLEY
	31020	6	WASHER
	31021	6	RETAINER RING
7	12521	2	CARRIAGE WELD
8	31023	16	SLIDE BLOCK
9	12544	4	ARM PIN WELD
10	12547	4	FEMALE ARM WELD
11	12552	4	MALE ARM WELD
	12072	4	1/2-13NC SHCS X 5/8 LG
12	12562	4	EXTENSION (3")
	12561	2	EXTENSION (6")
13	12563	4	ADAPTER ASSEMBLY
	12567	2	ADAPTER RACK
	31052	4	ARM RESTRAINT ASSEMBLY
	31368		POWER UNIT - SINGLE PHASE
	31355		POWER UNIT - THREE PHASE

Replace worn or broken parts with genuine CHALLENGER LIFTS INC. parts  
 Contact your local Challenger Lifts Parts Distributor for pricing and availability  
 (Call CHALLENGER LIFTS INC. (502) 625-0700 for the Parts Distributor in your area)