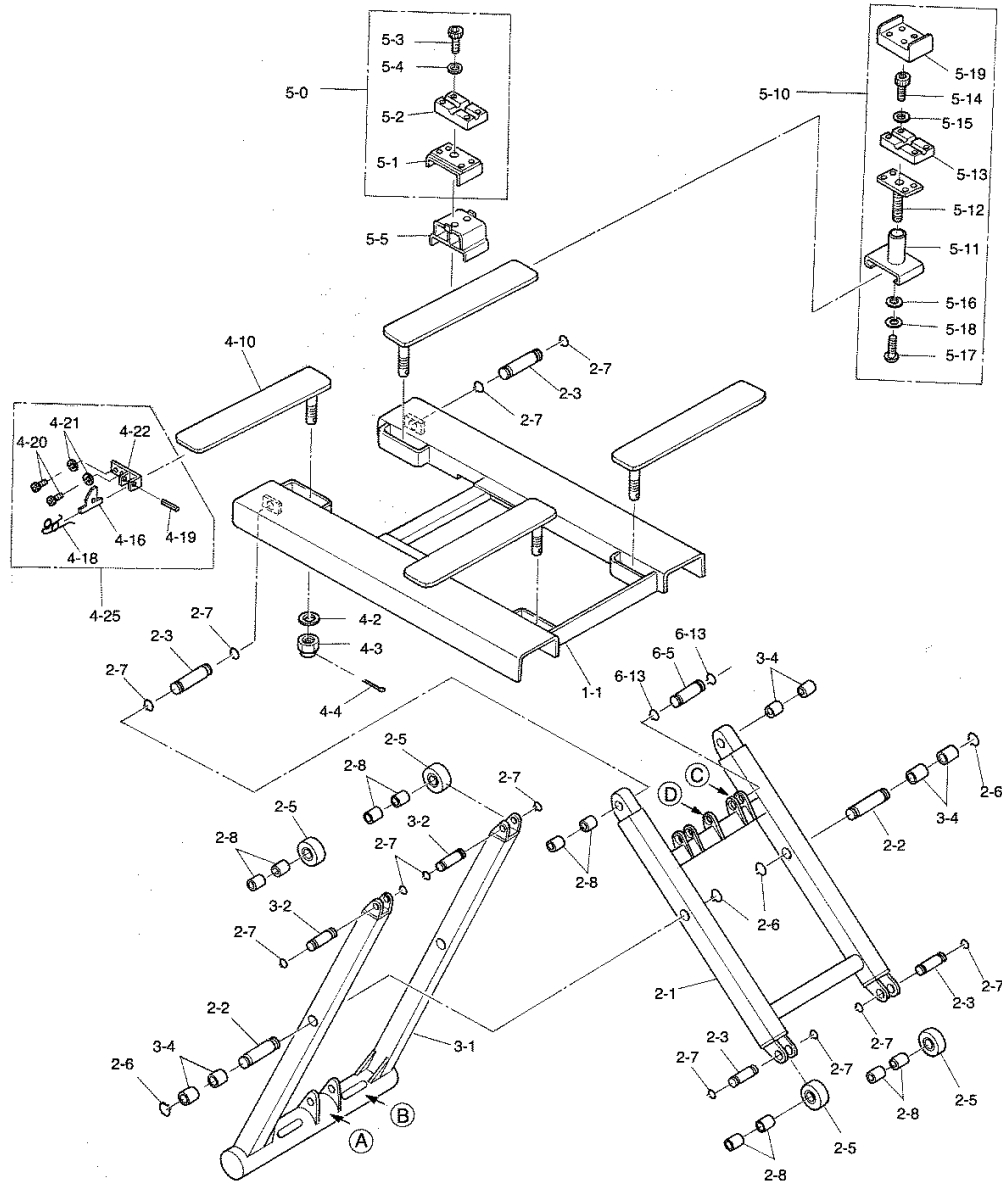


Model 66000 Installation, Operation, and Maintenance



| Part No. | Part Description | Qty/set | Part No. | Part Description | Qty/set | Part No. | Part Description | Qty/set |
|----------|------------------|---------|----------|---------------------------|---------|----------|------------------------------------|---------|
| 6-12 | U-Nut | 2 | 7-13 | U-Nut | 2 | 9-3 | Adaptor | |
| 6-13 | Washer For Shaft | 4 | 7-16 | Spring | 1 | 9-4 | 90° Elbow | 4 |
| 6-15 | Plug | 2 | 7-17 | Latch Lever | 1 | 9-10 | Manifold | 2 |
| 6-16 | Square Head Plug | 2 | 7-18 | Washer for Shaft | 1 | 9-11 | Hex. Hole Bolt | 1 |
| 6-17 ◆ | O-Ring | 2 | 7-19 | Cable Adjustment | 1 | 9-12 | Spring Washer | 2 |
| 6-18 ◆ | O-Ring | 2 | 7-20 | Hex. Nut | 1 | 9-13 | Female Adaptor(NPT) | 2 |
| 6-19A | Oilless Bushing | 2 | 7-21 | Cable Lock Bolt | 1 | 9-15 | Lowering Adjustment Valve | 1 |
| | | | 7-22 | Oilless Safety Wire Cable | 1 | 9-15A | Valve Body | 2 |
| 7-0 | Lock Assembly | 1 | 7-23 | Hex. Nut | 1 | 9-15B | Valve | 2 |
| 7-1 | Lock Pipe | 1 | 7-24 | Spring Washer | 1 | 9-15C | Spring | 2 |
| 7-2 | Lock Leg | 1 | 7-25 | Hex. Hole Screw | 1 | 9-15D | Washer for Hole | 2 |
| 7-3 | Safety Latch | 1 | | | | 9-15E | Round Flat Washer | 2 |
| 7-4 | Cam Shaft | 1 | 8-0 | Portable Dolly | 1 | | | |
| 7-5 | Link | 1 | 8-1 | Handle | 1 | 10-0 | Safety Lock Release Lever Assembly | |
| 7-9 | Spring Pin | 1 | 8-2 | Wheel | 2 | 10-1 | Handle | 1 |
| 7-10 | Spring Pin | 1 | 8-3 | Washer for Shaft | 2 | 10-2 | Lever | 1 |
| 7-11 | Hex. Bolt | 1 | 8-4 | Rubber Grip | 2 | 10-3 | Cross Hole Round Head Screw | 1 |
| 7-12 | Hex. Bolt | 1 | | | | | | |
| 7-13 | U-Nut | 2 | 9-1 | High Pressure Hose | 2 | | | |
| 7-16 | Spring | 1 | 9-2 | High Pressure Hose | 1 | | | |

※ Specifications are to be changed subject without notice for improvements.