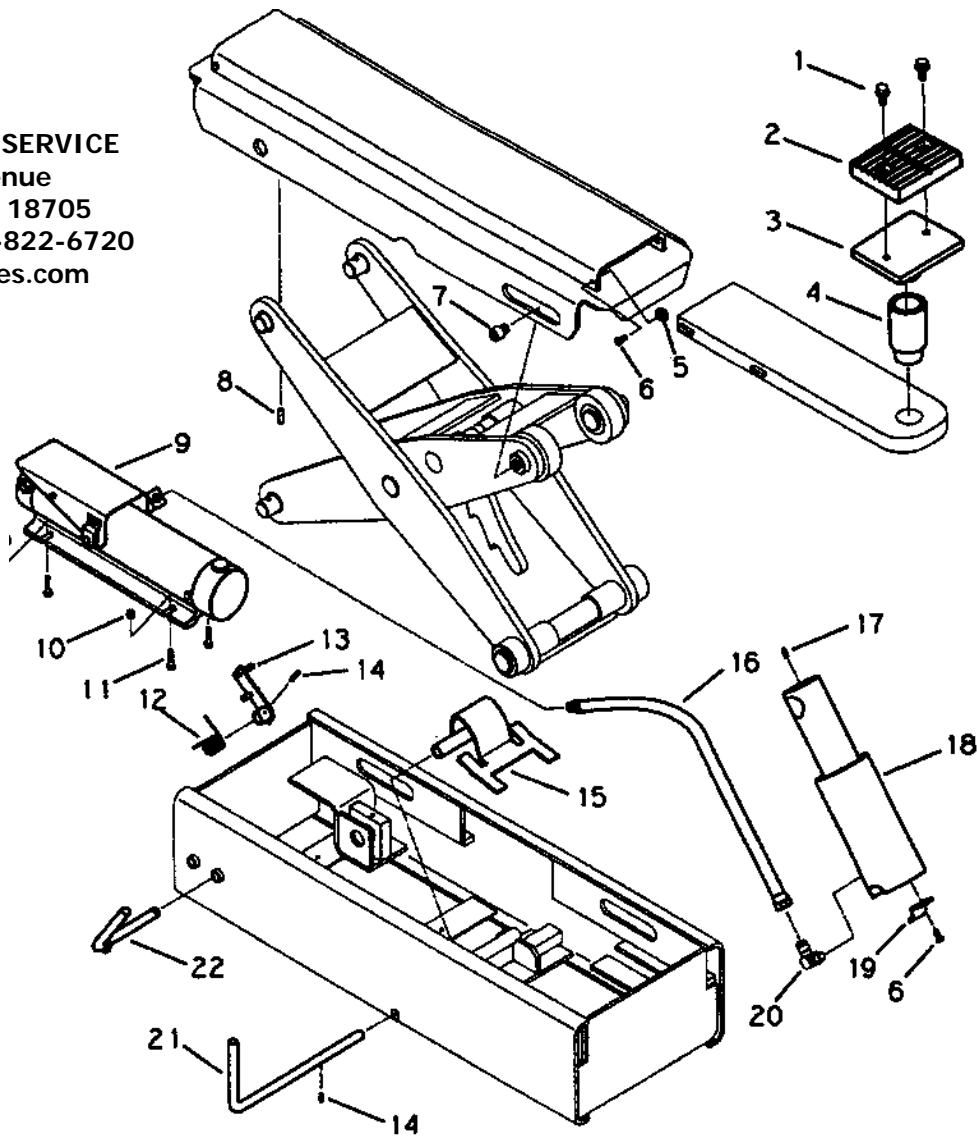


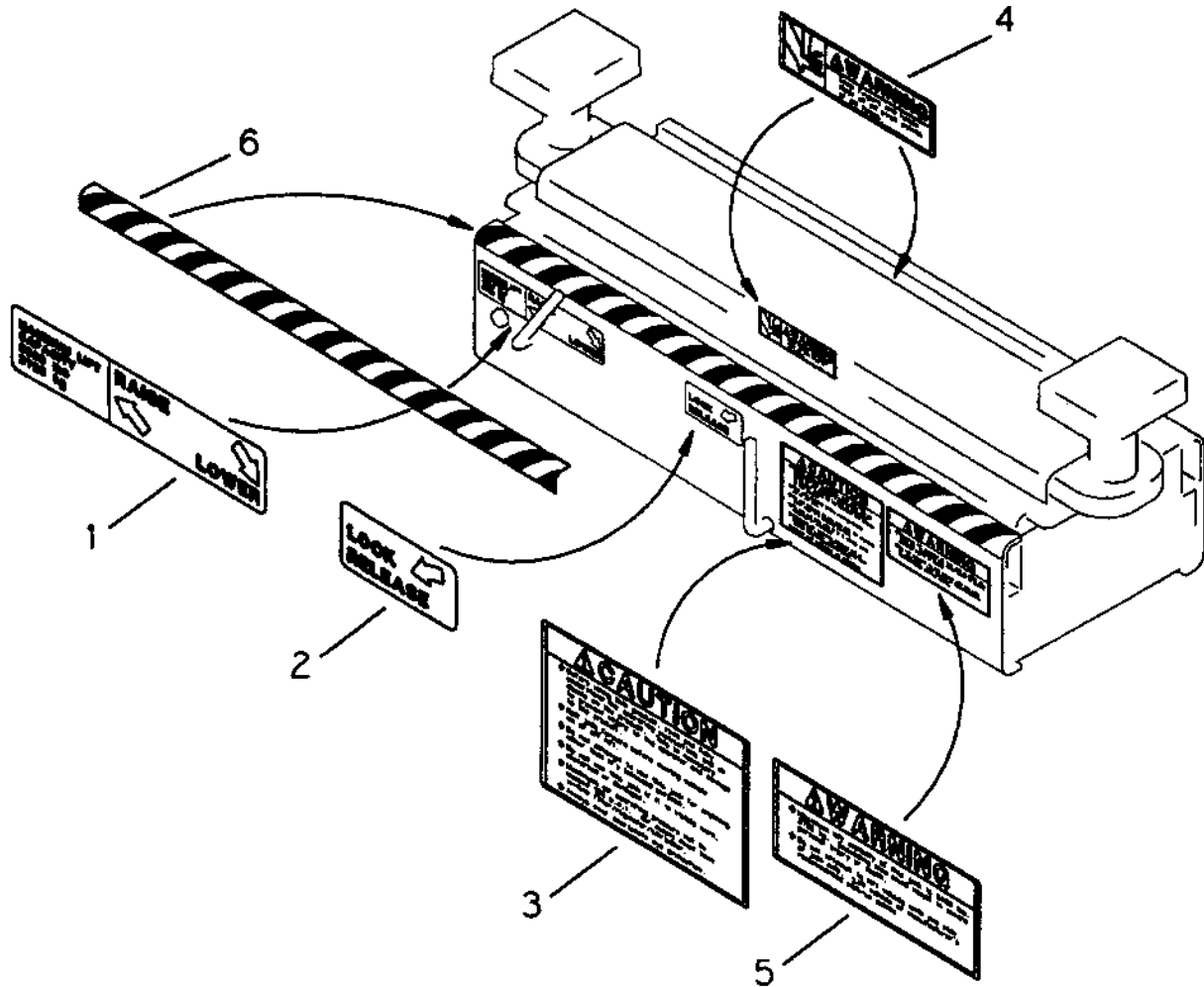
PANZITTA SALES & SERVICE
 72 George Avenue
 Wilkes-Barre, PA 18705
 570-822-6720 800-822-6720
 www.panzittasales.com



ROLLING AIR JACK REPAIR PARTS

ITEM	PART NO	QTY	DESCRIPTION
1	50-0065	4	3/8-16 X 3/4 Serrated Hex Head Flange Screw
2	10-0017	2	Rubber Lift Pad
3	03-0131	2	Lift Pad
4	73-0349	2	Lift Pad Spacer
5	51-0016	4	1/4-20 Heavy Square Nut
6	028-132	5	1/4-20 X 1/2 Hex Head Cap Screw
7	50-0043	2	1/2-13 X 1/2 Hex Socket Head Cap Screw
8	061-091	4	1/4 X 7/8 Spring Pin
9	63-0005	1	Air/Hydraulic Pump
10	055-160	4	1/4-20 Nylon Hex Lock Nut
11	028-141	4	1/4-20 X 1 Hex Head Cap Screw
12	55-0012	1	Torsion Spring
13	03-0126	1	Linkage Bar
14	061-032	2	1/8 X 3/4 Spring Pin
15	03-0132	1	Latch
16	62-0002	1	Hydraulic Hose
17	50-0066	1	1/4-20 X 3/8 Set Screw
18	63-0004	1	Hydraulic Cylinder
19	73-0343	1	Retainer Tab
20	60-0023	1	90 Degree Male Elbow Fitting
21	73-0332	1	Latch Pivot Rod
22	03-0129	1	Linkage Rod

PANZITTA SALES & SERVICE
 72 George Avenue
 Wilkes-Barre, PA 18705
 570-822-6720 800-822-6720
 www.panzittasales.com



INSTRUCTIONAL DECALS

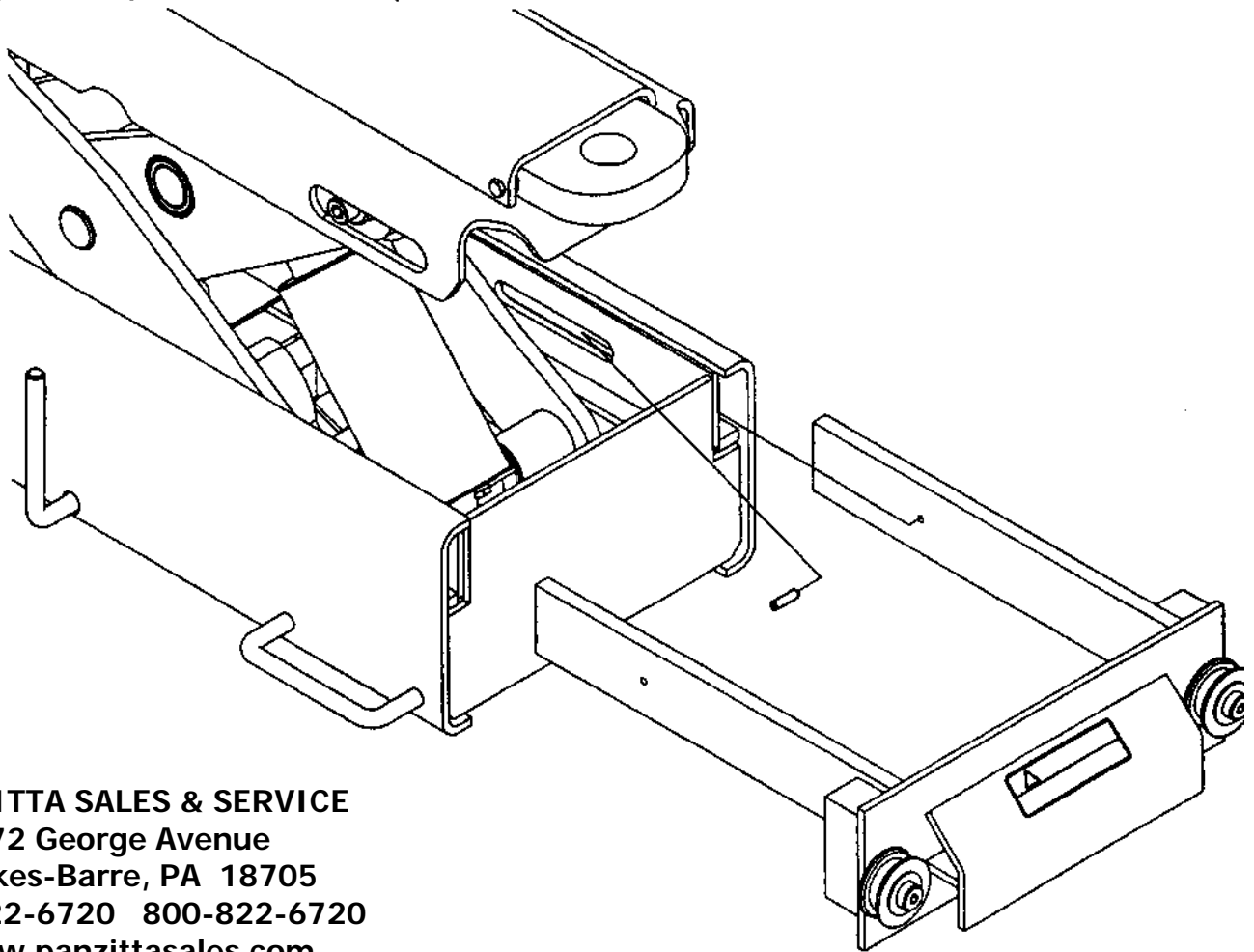
ITEM	PART NO	QTY	DESCRIPTION
1	80-0078	1	Raise/Lower Decal
2	80-0079	1	Lock Release Decal
3	80-0080	1	Caution Decal
4	80-0083	2	Warning Decal
5	80-0084	1	Warning Decal
6	M00-003	128"	Caution Stripe Tape

Challenger Lifts, Inc.

LIFT RACK MOUNTING BRACKETS

INSTALLATION

- 1) Lift jack all the way up.
- 2) Remove the two 1/4" socket set screw stops from the mounting brackets.
- 3) Slide mounting bracket into jack frame until screw holes are visible.
- 4) Securely reinstall screw stops as shown.



PANZITTA SALES & SERVICE
72 George Avenue
Wilkes-Barre, PA 18705
570-822-6720 800-822-6720
www.panzittasales.com

! CAUTION

Screw stops must be properly installed.

MOUNTING BRACKET REPAIR PARTS

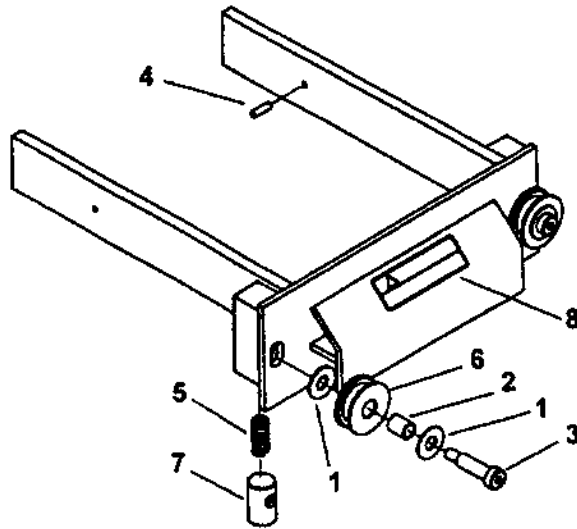
PANZITTA SALES & SERVICE

72 George Avenue

Wilkes-Barre, PA 18705

570-822-6720 800-822-6720

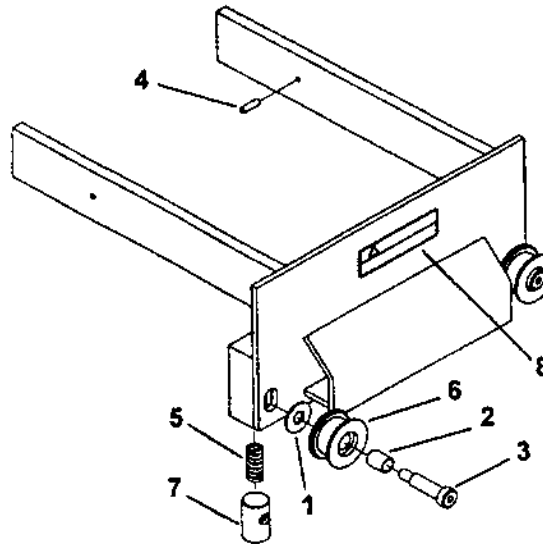
www.panzittasales.com



MODEL 24092 - STANDARD MOUNTING BRACKET

For use on Challenger Model 24012-E, 24012-W and 24012-EW Standard Lift Racks only

ITEM	PART NO	QTY	DESCRIPTION
1	108-144	4	Nylon Washer
2	20-0006	2	Sleeve Bushing
3	50-0026	2	1/2 X 1-1/2 Hex Socket Head Shoulder Screw
4	50-0069	2	1/4-20 X 7/8 Socket Set Screw
5	55-0013	2	Spring
6	73-0490	2	Roller
7	73-0510	2	Roller Bar
8	80-0082	1	Decal



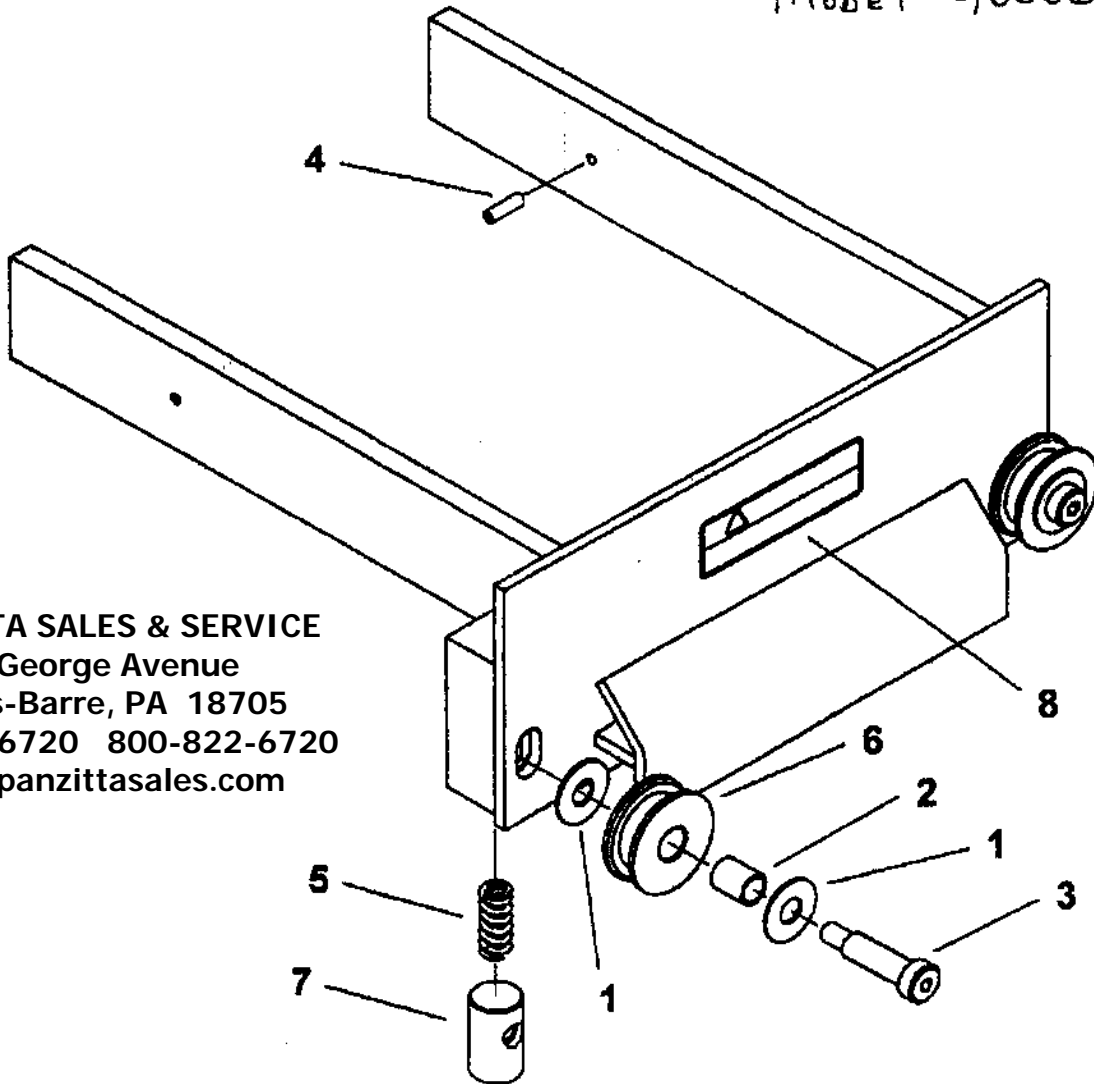
MODEL 24093 - ALIGNMENT MOUNTING BRACKET

For use on Challenger Model 24012-AR Alignment Lift Rack only

ITEM	PART NO	QTY	DESCRIPTION
1	108-144	2	Nylon Washer
2	20-0006	2	Sleeve Bushing
3	50-0026	2	1/2 X 1-1/2 Hex Socket Head Shoulder Screw
4	50-0069	2	1/4-20 X 7/8 Socket Set Screw
5	55-0013	2	Spring
6	73-0496	2	Roller
7	73-0510	2	Roller Bar
8	80-0081	1	Decal

MOUNTING BRACKET REPAIR PARTS

Model 40000

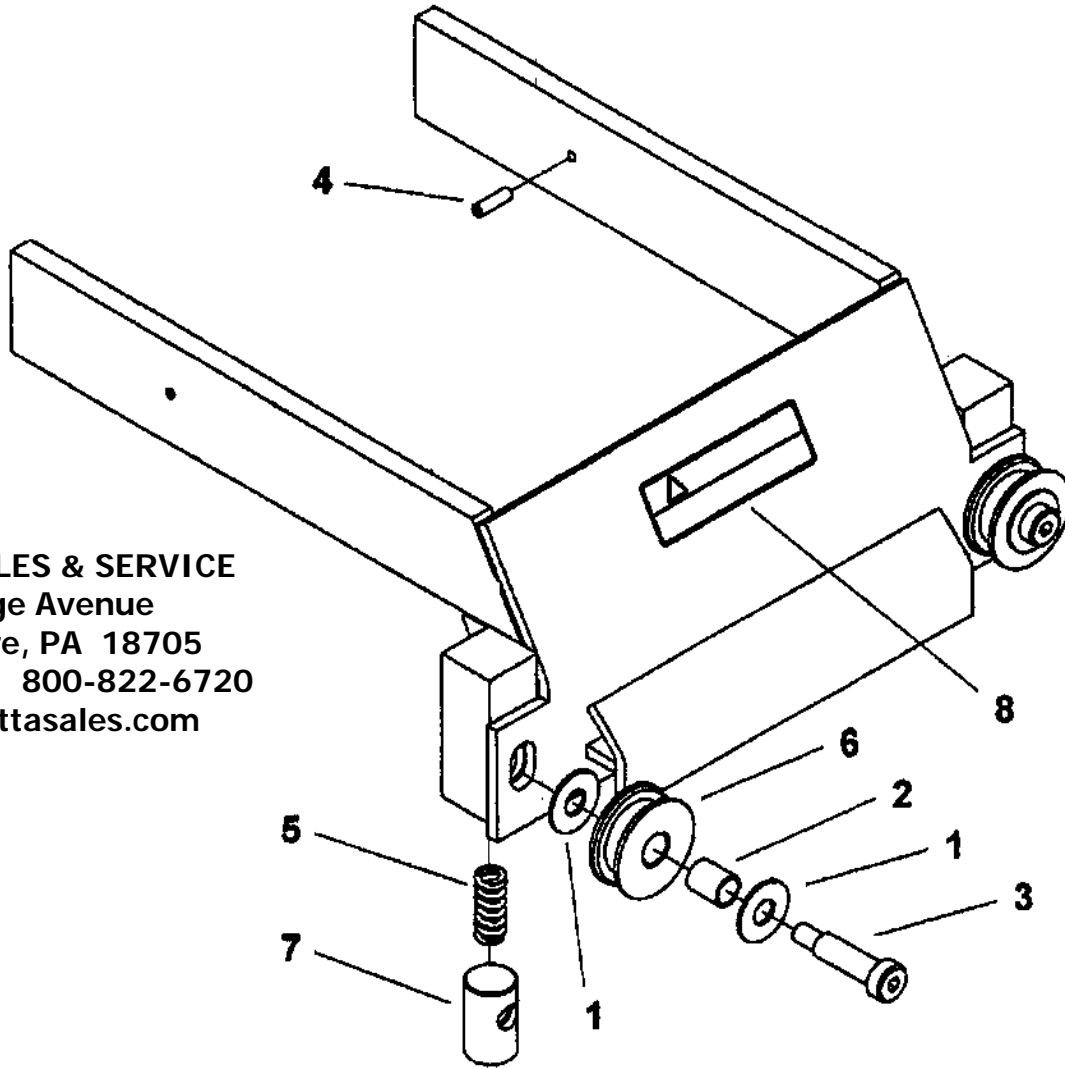


PANZITTA SALES & SERVICE
 72 George Avenue
 Wilkes-Barre, PA 18705
 570-822-6720 800-822-6720
 www.panzittasales.com

ITEM	PART NO	QTY	DESCRIPTION
1	108-144	4	Nylon Washer
2	20-0006	2	Sleeve Bushing
3	50-0026	2	1/2 x 1-1/2 Hex Socket Head Shoulder Screw
4	50-0089	2	1/4-20 x 7/8 Socket Set Screw
5	55-0013	2	Spring
6	73-0490	2	Roller
7	73-0510	2	Roller Bar
8	80-0123	1	Decal

2#
40270

MOUNTING BRACKET REPAIR PARTS



PANZITTA SALES & SERVICE
 72 George Avenue
 Wilkes-Barre, PA 18705
 570-822-6720 800-822-6720
 www.panzittasales.com

ITEM	PART NO	QTY	DESCRIPTION
1	108-144	4	Nylon Washer
2	20-0006	2	Sleeve Bushing
3	50-0028	2	1/2 X 1-1/2 Hex Socket Head Shoulder Screw
4	50-0089	2	1/4-20 X 7/8 Socket Set Screw
5	55-0013	2	Spring
6	73-0490	2	Roller
7	73-0510	2	Roller Bar
8	80-0131	1	Decal