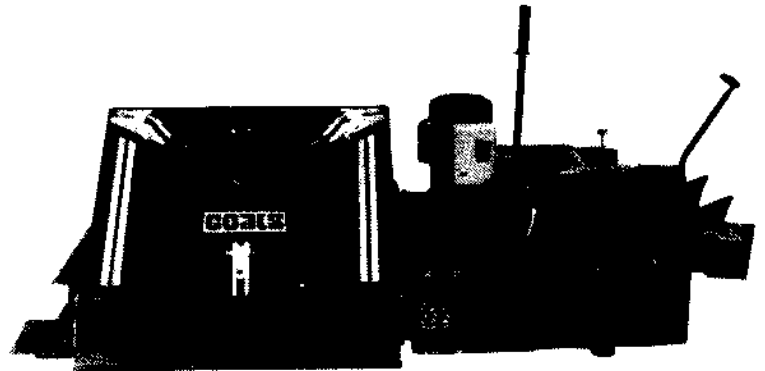


COATS®

— PARTS LIST —

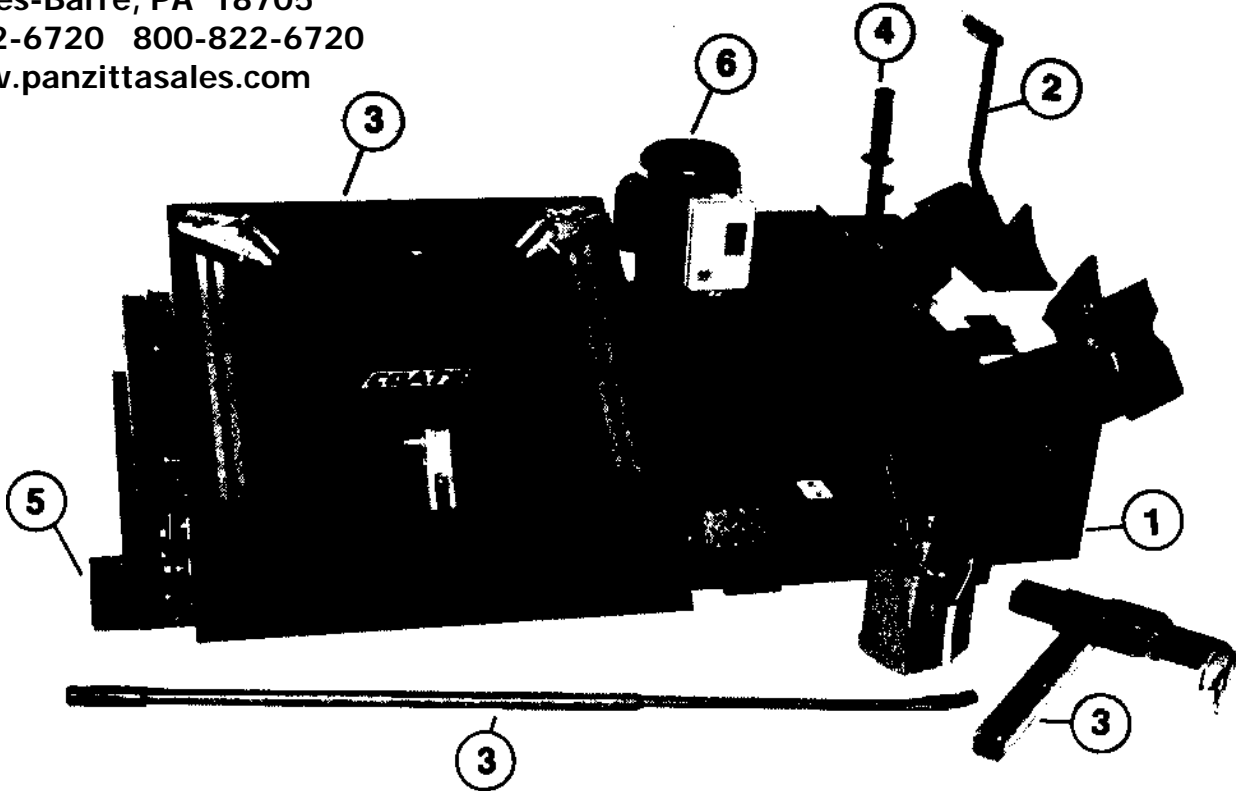


PANZITTA SALES & SERVICE
72 George Avenue
Wilkes-Barre, PA 18705
570-822-6720 800-822-6720
www.panzittasales.com

H.I.T. 6000 TRUCK TIRE CHANGER

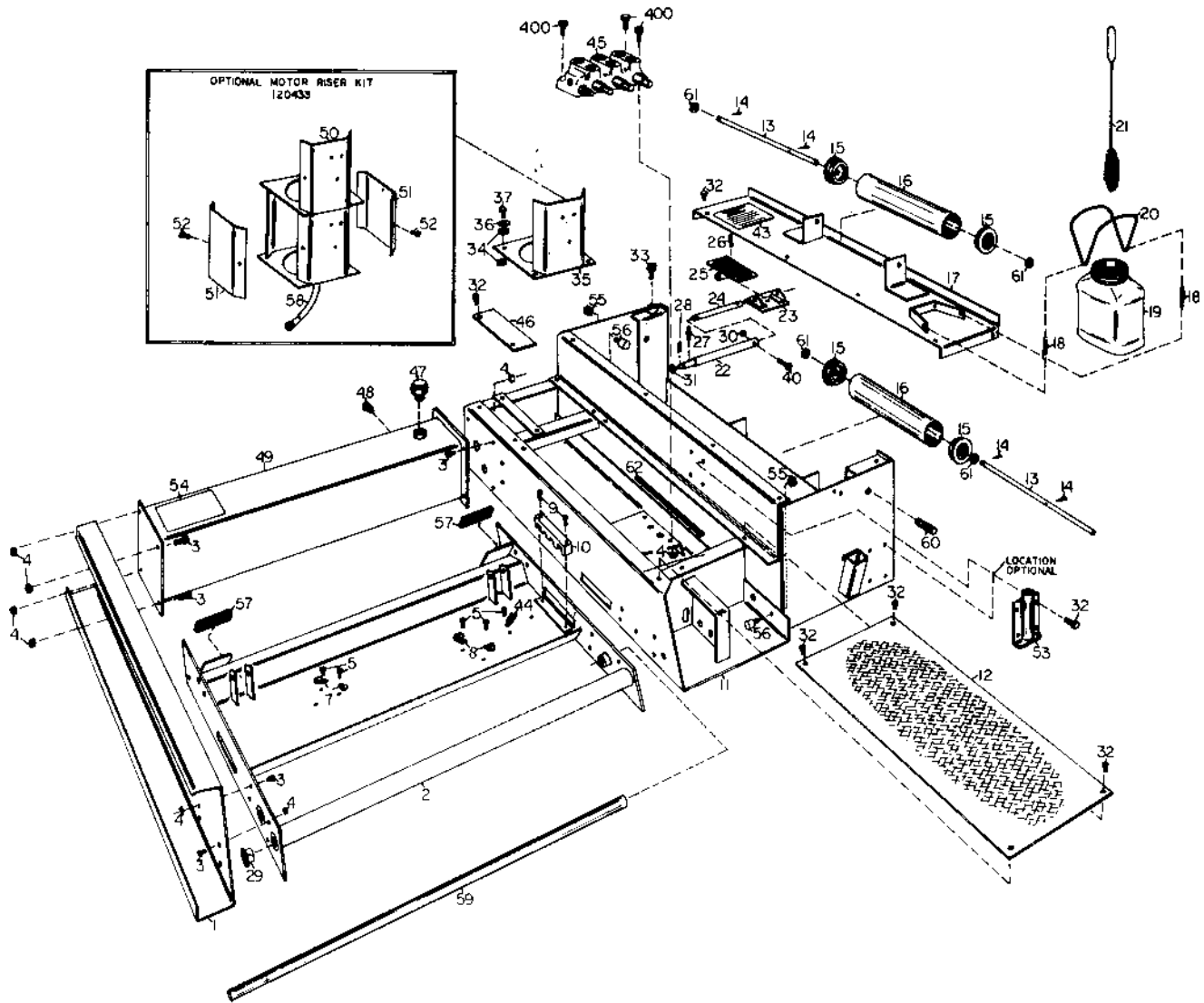
TABLE OF CONTENTS

PANZITTA SALES & SERVICE
 72 George Avenue
 Wilkes-Barre, PA 18705
 570-822-6720 800-822-6720
 www.panzittasales.com



DETAIL	PAGE	DESCRIPTION
1	3	CHASSIS
2	4	BEAD LOOSENER
3	5-6	WORKING TABLE
4	7	AIR CIRCUIT
5	8	HYDRAULIC SYSTEM
6	9	ELECTRICAL SYSTEM
.....	10	SCHEMATICS ELECTRIC & HYDRAULIC

CHASSIS



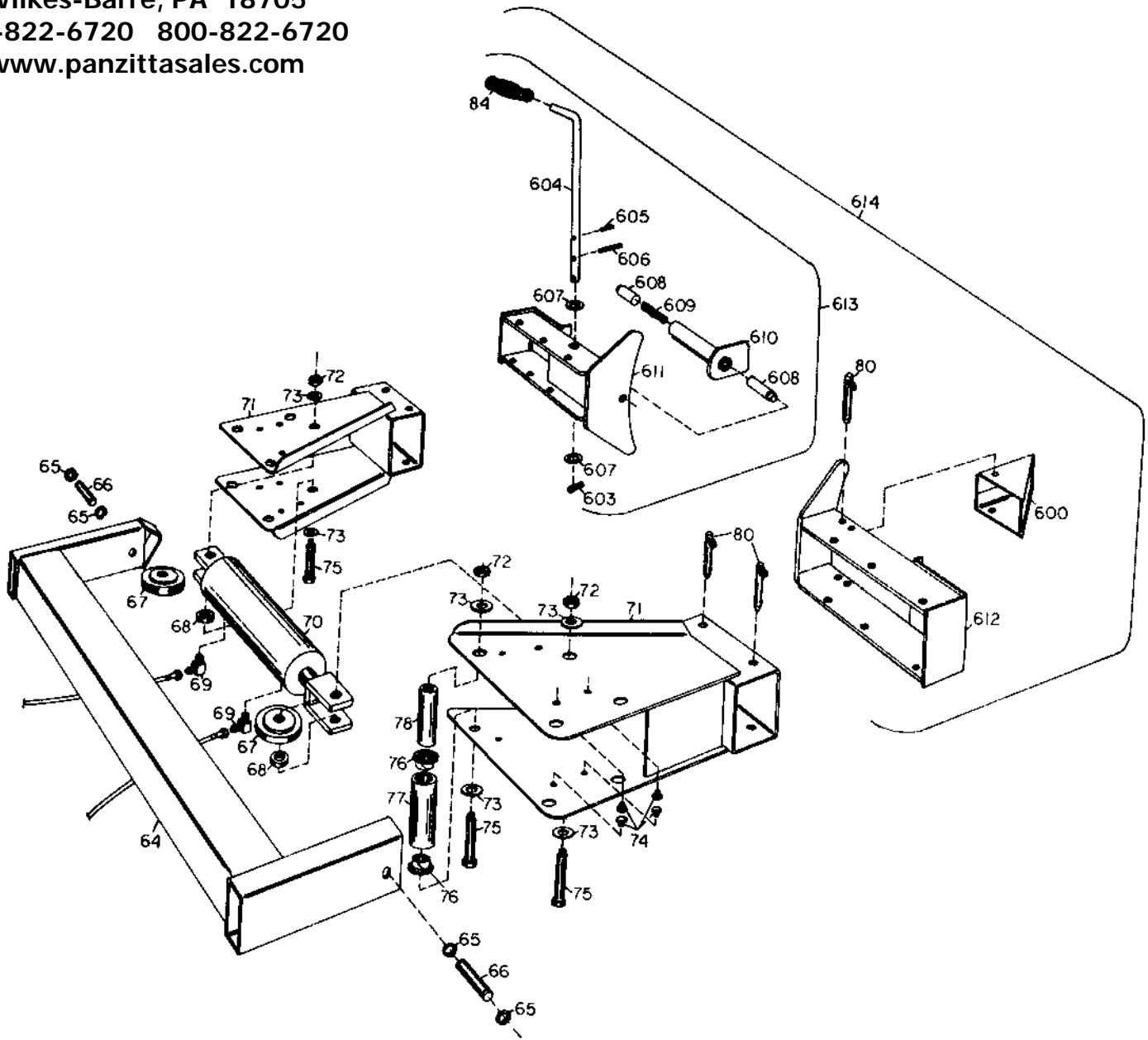
Ref. No.	Part No.	Description
1	120185	Outboard Rail
2	120130	Cradle
3	000524	3/8 x 1 Cap Screw (Ea.)
4	000516	3/8 Lock Nut (Ea.)
5	120455	10-24 Screw (Ea.)
7	120387	Hose Clamp 1/8 ID (Ea.)
8	120386	Hose Clamp 5/16 ID (Ea.)
9	105390	1/4 x 1-1/2 Cap Screw (Ea.)
10	120139	Hose Block
11	120300	Bead Loosener Frame
12	120172	Cover Plate
13	120307	Roller Pivot (Ea.)
14	107419	Hitch Pin
15	120192	Bearing Roller (Ea.)
16	120191	Roller (Ea.)
17	120188	Bead Loosener Cover
18	101106	Spring
19	120347	Lube Bottle
20	120348	Hold Down Lube Bottle
21	120366	Cotton Swab
22	120305	Pedal Extension
23	120147	Foot Pedal Base
24	120312	Rod Extension
25	120143	Foot Pedal
26	100602	3/16 x 1-1/4 Roll Pin
27	106847	Pivot Ball
28	107419	Hitch Pin
29	106007	3/4 Nylon Bearing
30	000591	1/4 Lock Nut
31	010027	1/2 Washer
32	106300	3/8 x 3/4 Self Tapping Bolt (Ea.)

Ref. No.	Part No.	Description
33	120308	Screw Adjusting
34	120369	Rubber Washer (Ea.)
35	120336	Switch Box Bracket
36	000448	3/8 Washer
37	105131	3/8 x 1-1/4 Self Tapping Bolt
43	120348	Warning Decal
44	103794	Hose Retainer
45		Hydraulic Valve (See page 8)
46	120171	Cover Plate (Small)
47	120291	Breather Cap Assembly
48	120344	1/4 NPT Pipe Plug
49		Reservoir (See page 8)
*50	120383	Motor Riser
*51	120362	Cover
*52	106301	1/4 x 1/2 Self Tapping Bolt
53	120328	Tool Holder
54	120425	Maintenance Decal
55	103260	1/2 Lock Nut
56	104263	3/4 Stud
57	120432	Table Stop Cushion
*58	120427	5/16 Riser Hose Assembly
59		Rod Table Top Pivot (See page 6)
60		Pin Bead Loosener Pivot
61	101253	3/4" Machine Bushing (Ea.)
62	120471	12" Trim
400	000278	3/8" x 2-1/4" N.C. HHCS (Ea.)

*Optional

BEAD LOOSENER

PANZITTA SALES & SERVICE
 72 George Avenue
 Wilkes-Barre, PA 18705
 570-822-6720 800-822-6720
 www.panzittasales.com



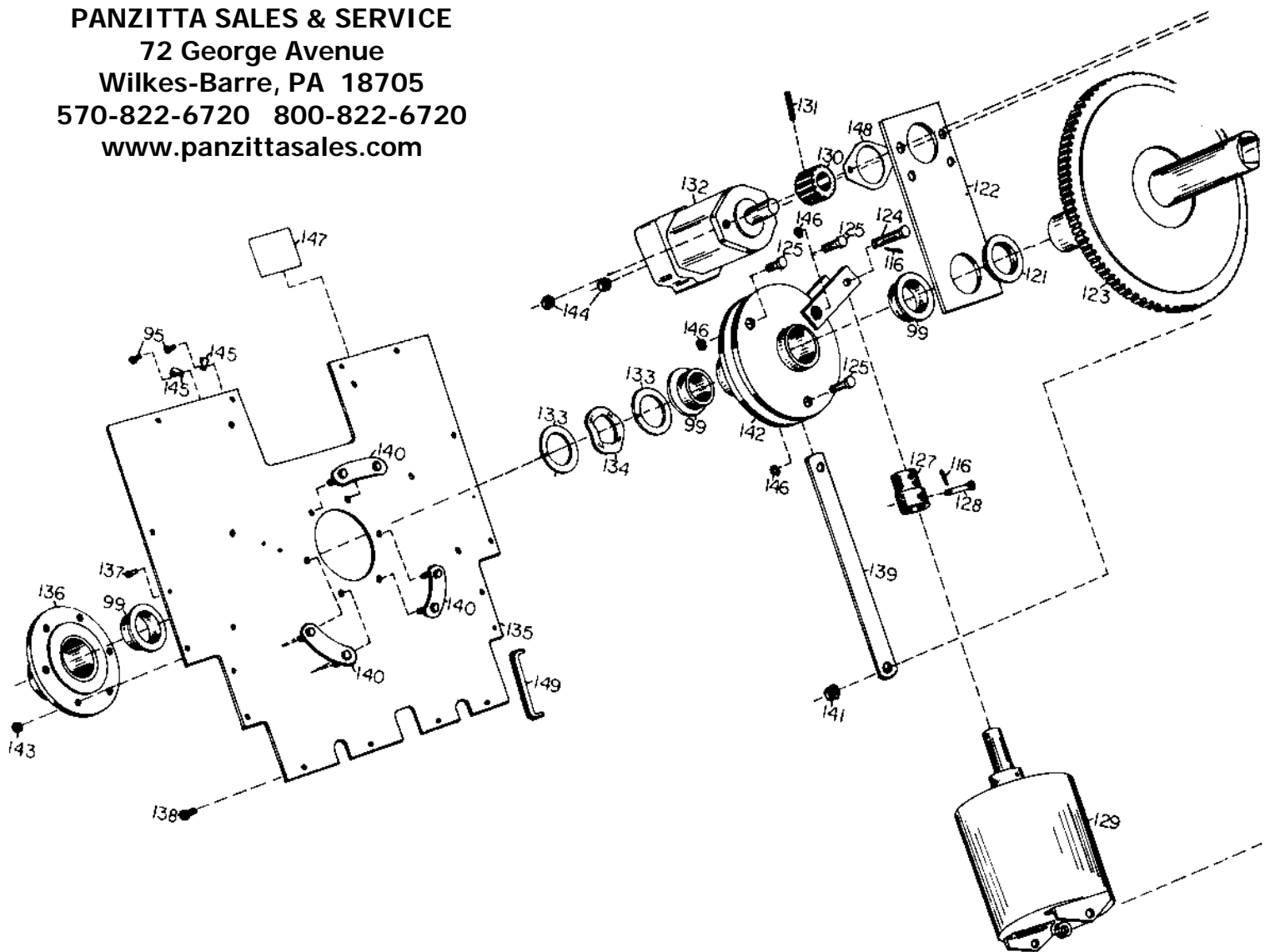
Ref. No.	Part No.	Description
64	120086	Bead Loosener Rail Tube
65	101001	3/4" Snap Ring (Ea.)
66	120314	Pin Bead Loosener Pivot
67	120089	Bead Loosener Cyl. Wheel (Ea.)
68	120103	Bead Loosener Cyl. Spacer (Ea.)
69	120286	1/4 NPT x 3/8 JIC 90° ELL (Ea.)
70		Bead Loosener Cylinder (See page 8)
71	120105	Bead Loosener Carrier (Ea.)
72	120055	5/8-11 N.C. Flange Nut (Ea.)
73	101253	3/4" Machine Bushing
74	120100	Bead Loosener Slide Button (Ea.)
75	120371	3/4" x 4 Shoulder Bolt (Ea.)
76	101351	1-1/4" Nylon Bearing (Ea.)
77	120102	Bead Loosener Roller Tube (Ea.)

Ref. No.	Part No.	Description
78	120104	Bead Loosener Roller Spacer (Ea.)
80	120326	Detent Pin (Ea.)
84	100979	Handle Grip
600	120513	Wheel Stop
603	107419	Hitch Pin
604	120541	Handle
605	100602	3/16 x 1-1/4 Roll Pin
606	101094	1/4 x 2-1/2 Roll Pin
607	103264	3/4 x 1-1/4 Machine Bushing
608	120539	Shoulder Pin (Ea.)
609	104284	Detent Spring
610	120535	Pivotal Shoe
611	120544	B.L. Shoe W/C R.H.
612	120112	B.L. Shoe W/C L.H.
613	120545	Pivotal Shoe Assy
614	120550	Pivotal Shoe Kit Comp.

Ref. No.	Part No.	Description
94	120373	Name Plate
95	104945	1/4 Self Tapping Bolt (Ea.)
96	120016	Quill Set Screw
97	120015	Quill Collar
98	120063	1/2-13 Hex Head Cap Screw (Ea.)
99	120012	Flange Bearing (Ea.)
100	120010	Crown Flange Bearing
101	120088	Detent Pin Clamp (Ea.)
102	120075	Clamp Plate (Ea.)
103	120057	Clamp Carrier (Ea.)
104	108302	3/8 Whiz Lock Bolt (Ea.)
105	101001	3/4 Snap Ring (Ea.)
106	120048	Air Cylinder Pivot
107	120180	Rod Table Top Pivot

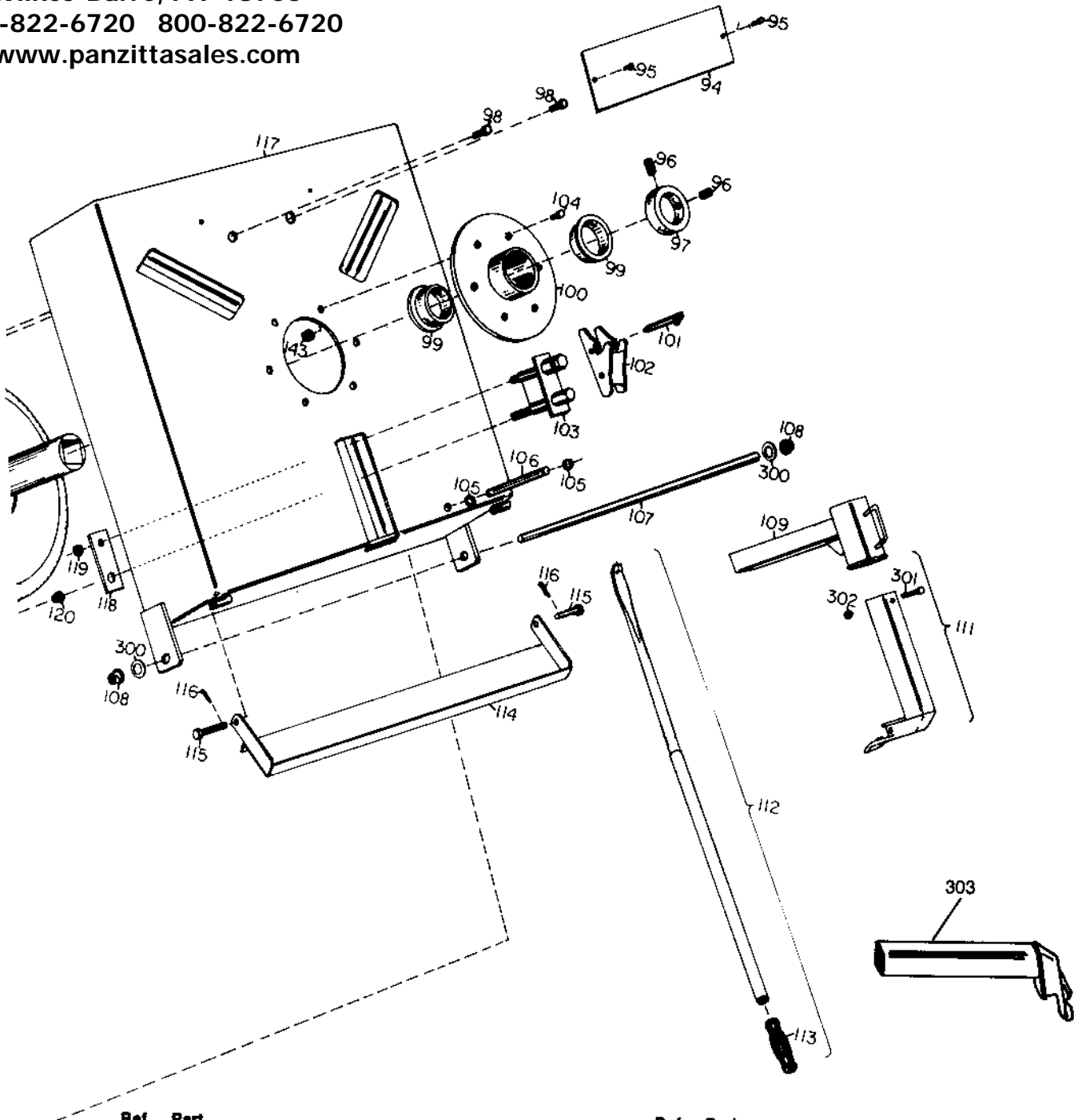
Ref. No.	Part No.	Description
108	106007	3/4 Nylon Bearing
109	120082	Combo Tee
111	120082	Combo Tool Assembly
112	120334	Bead Lifting Tool
113	107515	Handle Grip
114	120343	Apron
115	120340	Clevis Pin 3/8 x 2-5/8 (Ea.)
116	120469	Hair Pin Clip
117	120400	Table Chassis
118	120053	Carrier Bottom Plate (Ea.)
119	120452	9/16 - 12 Hex. Jam Nut w/lock (Ea.)
120	120054	Clamp Carrier Bushing (Ea.)
121	120068	Flange Bearing Short

PANZITTA SALES & SERVICE
 72 George Avenue
 Wilkes-Barre, PA 18705
 570-822-6720 800-822-6720
 www.panzittasales.com



PANZITTA SALES & SERVICE
 72 George Avenue
 Wilkes-Barre, PA 18705
 570-822-6720 800-822-6720
 www.panzittasales.com

WORKING TABLE

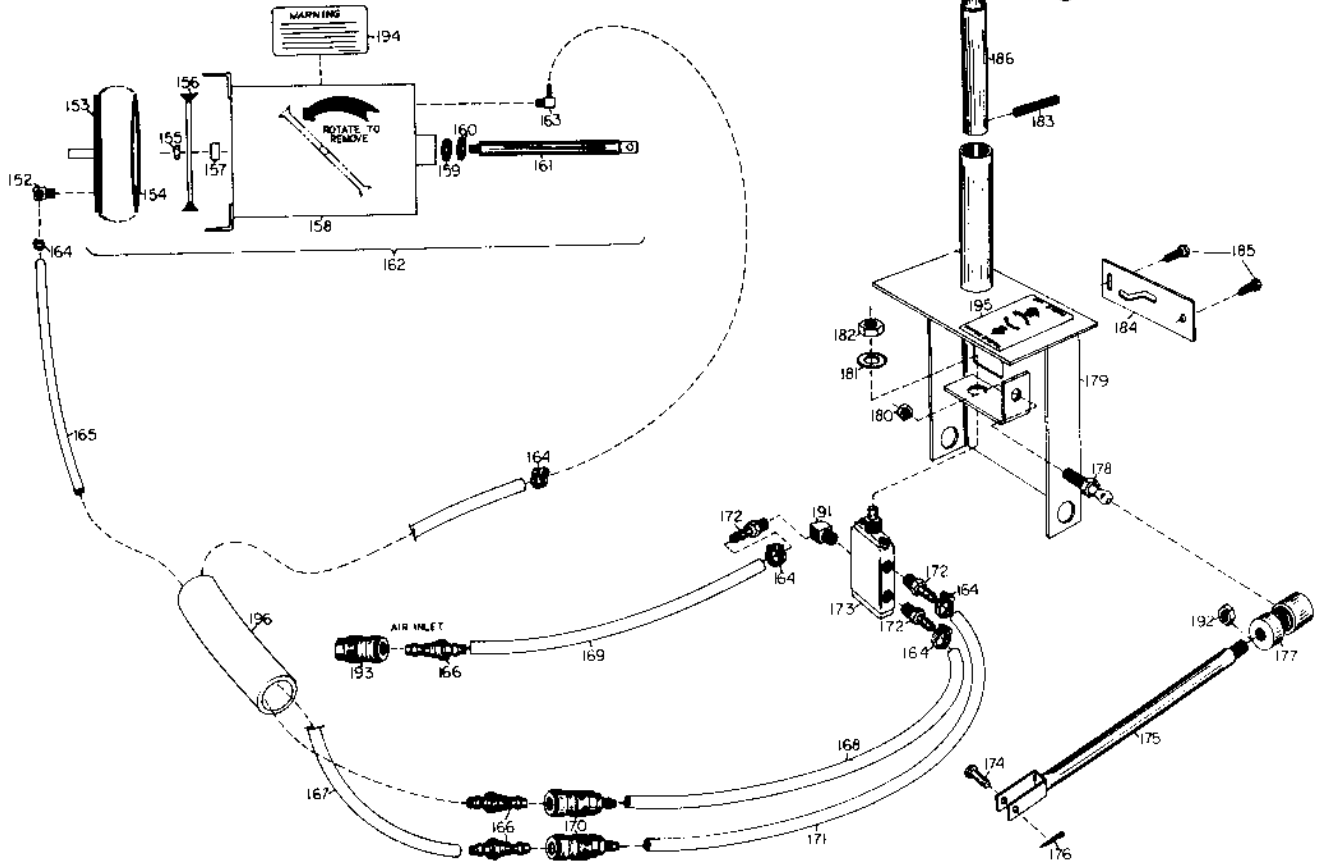


Ref. No.	Part No.	Description
122	120067	Hydraulic Motor Spacer Plate
123	120021	Quill & Gear
124	120087	1/2 Clevis Pin Long (Ea.)
125	120430	1/2 Short Groove Pin (Ea.)
127	120050	Air Cylinder Extension
128	120429	7/16 x 1-1/2 Clevis Pin
129		5" Air Cylinder (See page 7)
130	120065	Pinion Gear Motor
131	120066	3/8 x 1-1/2 Spirol Pin
132		Hydraulic Motor (See page 8)
133	120027	Shim (Ea.)
134	120020	Wave Spring
135	120399	Lower Cover Plate Assembly
136	120018	Lower Flange Bearing
137	120337	Round Head Drive Stud (Ea.)
138	120325	5/16 x 1 Serrated Washer Head Screw (Ea.)

Ref. No.	Part No.	Description
139	120047	Clamp Timing Link
140	120423	Bolting Plate (Ea.)
141	120055	5/8-11 NC Flange Nut (Ea.)
142	120004	Cam Plate
143	120424	3/8 Washer Head Lock Nut
144	120458	1/2 Lock Nut
145	120386	5/16 Clamps
146	120095	Snap Ring 1/2"
147	120443	Lower Cover Warning Decal
148	120442	Shim - Hyd. Motor
149	120462	Hose Pad
300	101253	3/4" Machine Bushing
301	120526	3/8 x 2-1/2 N.C. HHCS
302	000516	3/8 Lock Nut
303	120564	Duplex Combo Tool

AIR CIRCUIT

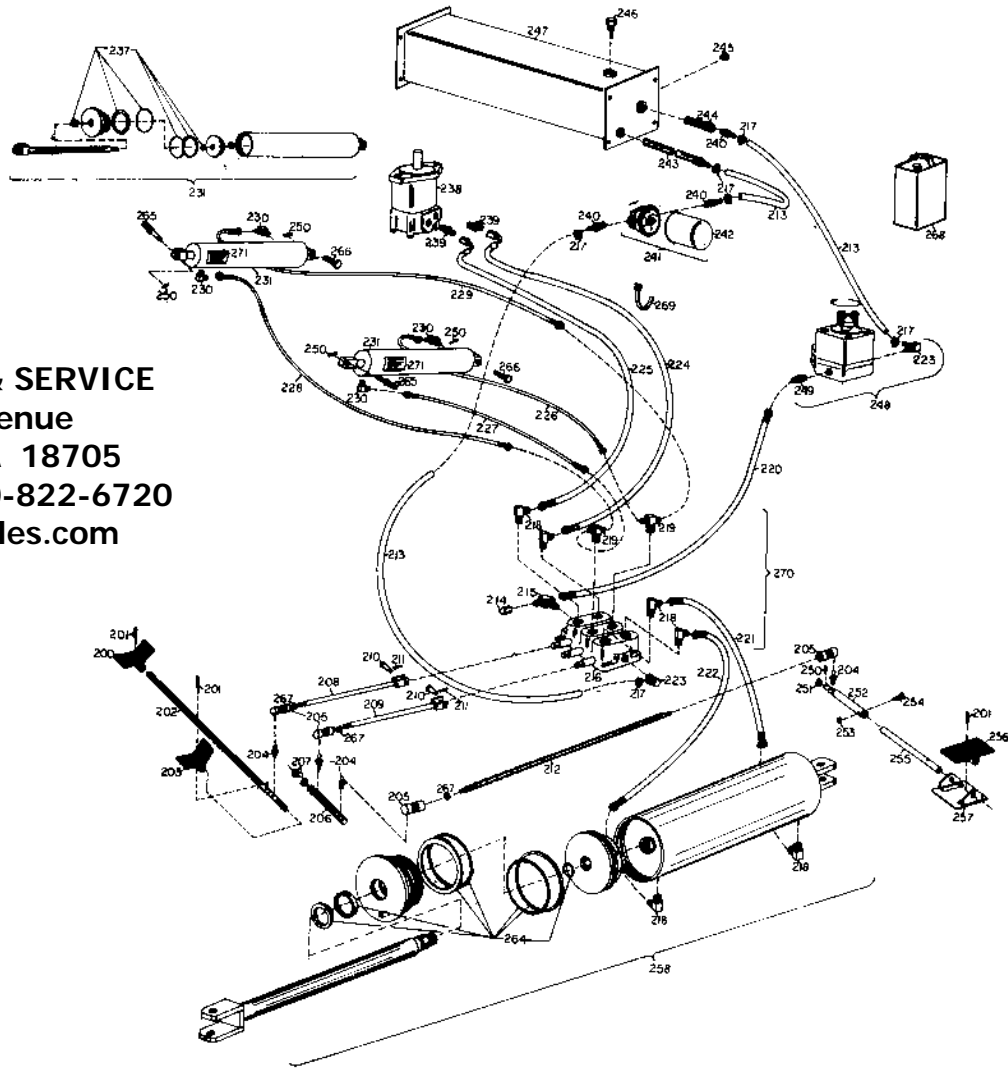
PANZITTA SALES & SERVICE
 72 George Avenue
 Wilkes-Barre, PA 18705
 570-822-6720 800-822-6720
 www.panzittasales.com



Ref. No.	Part No.	Description
152	000376	1/4" x 90° Fitting
153	106652	Bottom Cap
154	000465	Cap O-Ring
155	120463	3/4" Jam Nut
156	107576	Piston Cup
157	107511	Spacer
158	106648	Barrel Weldment
159	106835	Rod Seal
160	106657	Wiper Seal
161	106779	Piston Rod
162	106645	5" Cylinder Assembly
163	105635	90° Short Fitting
164	101428	Hose Clamp
165	120270	Hose 1/4" I.D. x 26" Red
166	106319	Quick Coupler Male
167	120268	Air Hose 32"
168	120450	1/4" x 8" Air Hose Red
169	120264	Air Hose 44"
170	106320	Quick Coupler Female
171	120271	Hose 8"
172	104844	1/4" Hose Fitting
173	120315	Air Valve
174	106455	1/4" Clevis Pin

Ref. No.	Part No.	Description
175	120161	Long Linkage
176	120469	Hair Pin Clip
177	106848	Retainer
178	106847	Pivot Ball
179	120181	Clamp Valve Bracket
180	000516	3/8" Lock Nut
181	104613	5/8" External Lock Washer
182	104611	5/8" Jam Nut N.F.
183	120459	1/4" x 2 Spring Pin
184	120381	Valve Adjusting Plate
185	106301	1/4" Self Tapping Screw
186	120178	Handle Shaft Valve
187	120321	1/4" x 1-1/4" Cap Screw N.C.
188	000591	1/4" Lock Nut N.C.
189	120182	Valve Bracket Handle
190	120332	Handle Grip
191	120316	1/8" x 1/8" Steel ELL
192	120368	3/8" x 24 Jam Nut
193	120440	Quick Coupler-Female
194	120445	Decal Air Cylinder
195	120349	Instruction Decal (Handle)
196	120473	Rubber Tube

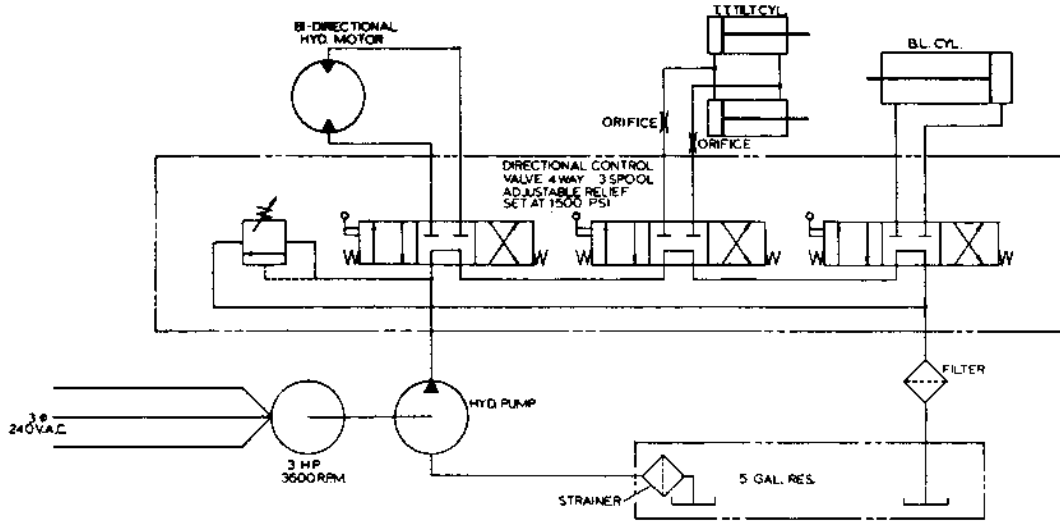
HYDRAULIC SYSTEM



PANZITTA SALES & SERVICE
 72 George Avenue
 Wilkes-Barre, PA 18705
 570-822-6720 800-822-6720
 www.panzittasales.com

Ref. No.	Part No.	Description	Ref. No.	Part No.	Description
200	120385	Foot Pedal L.H.	231	120239	Lift Cylinder (Ea.)
201	100602	3/16 x 1-1/4 Roll Pin (Ea.)	237	120527	Seal Kit Lift Cyl. (Ea.)
202	120179	Pedal Rod	238	120071	Hydraulic Motor
203	120140	Foot Pedal R.H.	239	120249	ST 3/8 x 7/8 ST Thread Fitting (Ea.)
204	106847	Pivot Ball (Ea.)	240	120217	ST Fitting 3/4 NPT 1/2 Hose
205	106848	Retainer (Ea.)	241	120221	Filter Comp.
206	120196	Bead Loosener Valve Shaft	242	120222	Filter Only
207	101001	3/4" Snap Ring (Ea.)	243	120377	Baffle Tube
208	120161	Long Linkage Rod	244	120220	1 x 3/4 x 6 Strainer
209	120163	Short Linkage Rod	245	120344	1/4 NPT Pipe Plug
210	106455	1/4" Clevis Pin	246	120291	Breather Cap Assembly
211	120469	Hair Pin Clip	247	120151	Reservoir
212	120193	Bead Loosener Linkage Tube	248	120555	Replacement Hydraulic Pump Assy.
213	120252	1/2" I.D. Rubber Hose	249	120210	ST Fitting 3/8 Tube 3/8 NPT
214	120287	3/8" JIC Cap	250	107419	Hitch Pin
215	120288	3/8" x 3/8" JIC Tee	251	010027	1/2" Washer
216	120553	Control Valve and Mtg. Hwd.	252	120305	Pedal Extension
217	101346	Hose Clamp (Ea.)	253	000591	1/4" Lock Nut
218	120286	1/4 NPT x 3/8 JIC 90° ELL (Ea.)	254	105390	1/4 x 1-1/2 Cap Screw
219	120290	Plug & Tee Assembly (Ea.)	255	120312	Rod Extension
220	120227	Hose Assembly 5/16" x 16"	256	120143	Foot Pedal
221	120229	Hose Assembly 5/16" x 24-3/4"	257	120147	Pedal Base
222	120228	Hose Assembly 5/16" x 23"	258	120240	Bead Loosener Cylinder
223	120235	90° Fitting 3/8 NPT x 1/2 Hose (Ea.)	264	120420	Seal Kit B.L. Cylinder
224	120226	Hose Assembly 5/16" x 71"	265	120089	1/2" Clevis Pin
225	120297	Hose Assembly 5/16" x 71"	266	120129	2-1/4 Clevis Pin
226	120233	Hose Assembly 1/8" x 20"	267	120368	3/8 - 24 Jam Nut
227	120234	Hose Assembly 1/8" x 17"	268	120454	1 Gal. Hydraulic Oil
228	120232	Hose Assembly 1/8" x 54"	269	120441	Nylon Cable Tie
229	120231	Hose Assembly 1/8" x 61"	270	120242	Valve With Fittings & Mtg. Hwd.
230	120213	90° Fitting 1/4" Tube 1/4 NPT (Ea.)	271	120444	Warning Decal Hyd. Cyl.

HYDRAULIC SCHEMATIC



ELECTRICAL SCHEMATICS

STANDARD USA MODELS

COATS MOTOR P/N	PHASE	VOLTAGE A.C.	C.P.S.	HEATER COATS P/N	FURNAS P/N	QTY	COATS CODE	SEE NOTE 3
120204	1	208-230	60	120274	H-38	1	091	45 AMP
120205	3	208-230 See note	60	120273	H-31	3	093	25 AMP
120205	3	400-440	60	120477	H-25	3	094	15 AMP

NOTE 1 - MOTOR MAY BE SINGLE OR DUAL VOLTAGE

INTERNATIONAL MODELS

COATS MOTOR P/N	PHASE	VOLTAGE A.C.	C.P.S.	HEATER COATS P/N	FURNAS P/N	QTY	COATS CODE	SEE NOTE 3
120487	3	575	50	120470	H-22	3	093H	10 AMP
120205	3	190	50	120478	H-32	3	093D	30 AMP
120205	3	200	50	120273	H-31	3	093E	25 AMP
120205	3	380	50	120558	H-26	3	093F	15 AMP
120205	3	400-415	50	120477	H-25	3	093G	15 AMP
120551	3	220	50	120273	H-31	3	093J	25 AMP
120551	3	440	50	120477	H-25	3	093K	15 AMP
120552	3	380-440	50	120558	H-26	3	093L	15 AMP

SEE NOTE 2 -
 SEE NOTE 2 -
 SEE NOTE 2 -

NOTE 2 - SPECIAL MOTOR REQUIRES MIN. OF 2 WEEK LEAD TIME
 NOTE 3 - SUGGESTED SERVICE LINE SERVICE PROTECTION

