

SERVICE MANUAL

AMUHLTM

PANZITTA SALES &
SERVICE
72 GEORGE AVE
WILKES-BARRE PA 18705
570-822-6720 800-822-6720

Table 2. PARTS LIST

PART NAME	PART NAME
1. Top Cylinder	27. Chain Connector
2. Swager Cylinder	28. Chain Return
3. Top Half Gripper Clamp	29. Chain Connector Lock Nut
4. Gripper Clamp Assembly	30. Reverse Limit Switch
5. Clamp Handle	31. Top Cylinder Bracket
6. 1 Bolt	32. Bottom Cylinder
7. 4 Port Valve	33. Pressure Gauge
8. Oil Filter	34. Card Clip Assembly
9. Hydraulic Pump	35. Sequence Valve
10. Bell Housing	36. Pusher Block
11. Coupling Set (3 piece)	37. L Block
12. Motor Coupling	38. Gate Shaft
13. Pump Coupling	39. Barrel
14. Spider Insert	40. Shaft Nut
15. 5 Horsepower Single Phase Electric Motor	41. Split Lockwasher
16. Single Phase Starter Box	42. Three Phase Electrical Plug, Male
17. Single Phase Heaters (inside box)	43. Swivel Caster
18. Emergency Reverse Button	44. Foot Pedal Guard
19. Automatic Button	45. Dual Foot Pedal
20. Automatic Control Box	46. Solenoid Valve
21. Forward Limit Switch	47. Rigid Caster
22. Depth-of-Bend Plate	48. Flow Control Valve
23. Automatic Handle Assembly	49. Sight Gauge (Fluid Level)
24. Striker Plate Arm Assembly	50. Breather Cap
25. Right and Left Gate Assemblies	51. 5 Port Power-Beyond Valve
26. Back Gate Chain	52. Expander Cylinder

PANZITTA SALES & SERVICE
72 George Avenue
Wilkes-Barre, PA 18705
570-822-6720 800-822-6720
www.panzittasales.com

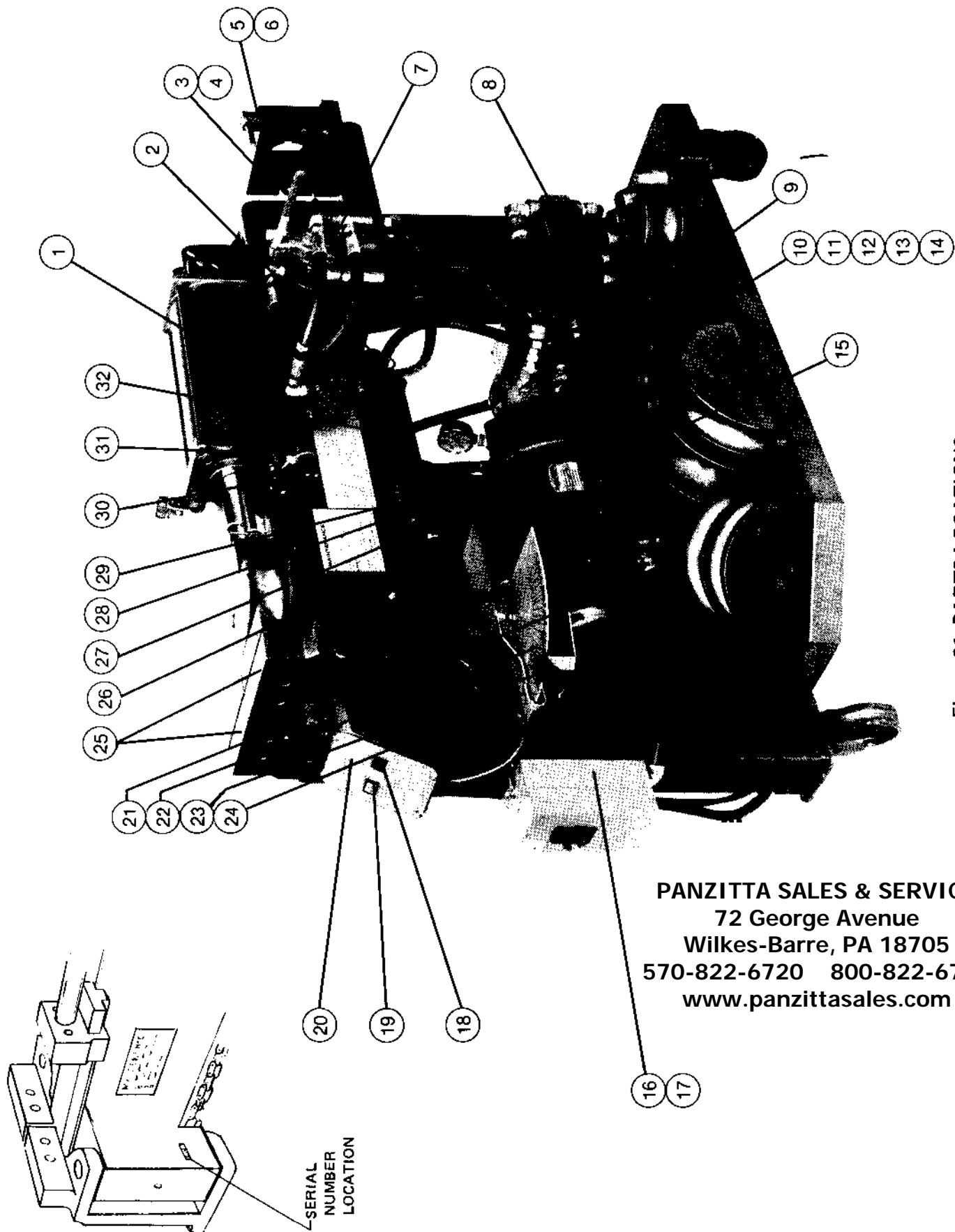
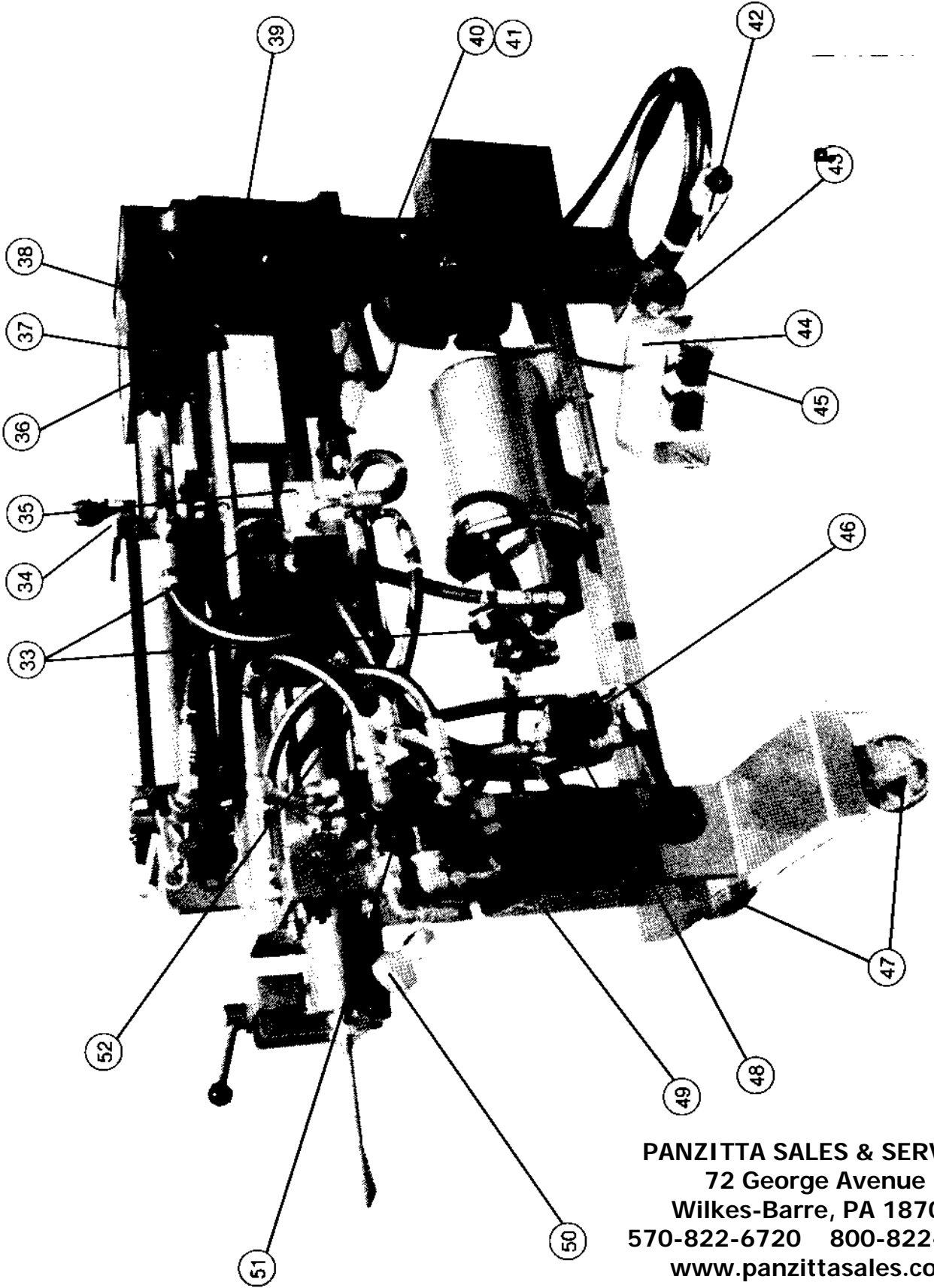


Figure 21. PARTS LOCATIONS

PANZITTA SALES & SERVICE
 72 George Avenue
 Wilkes-Barre, PA 18705
 570-822-6720 800-822-6720
www.panzittasales.com



PANZITTA SALES & SERVICE
72 George Avenue
Wilkes-Barre, PA 18705
570-822-6720 800-822-6720
www.panzittasales.com