



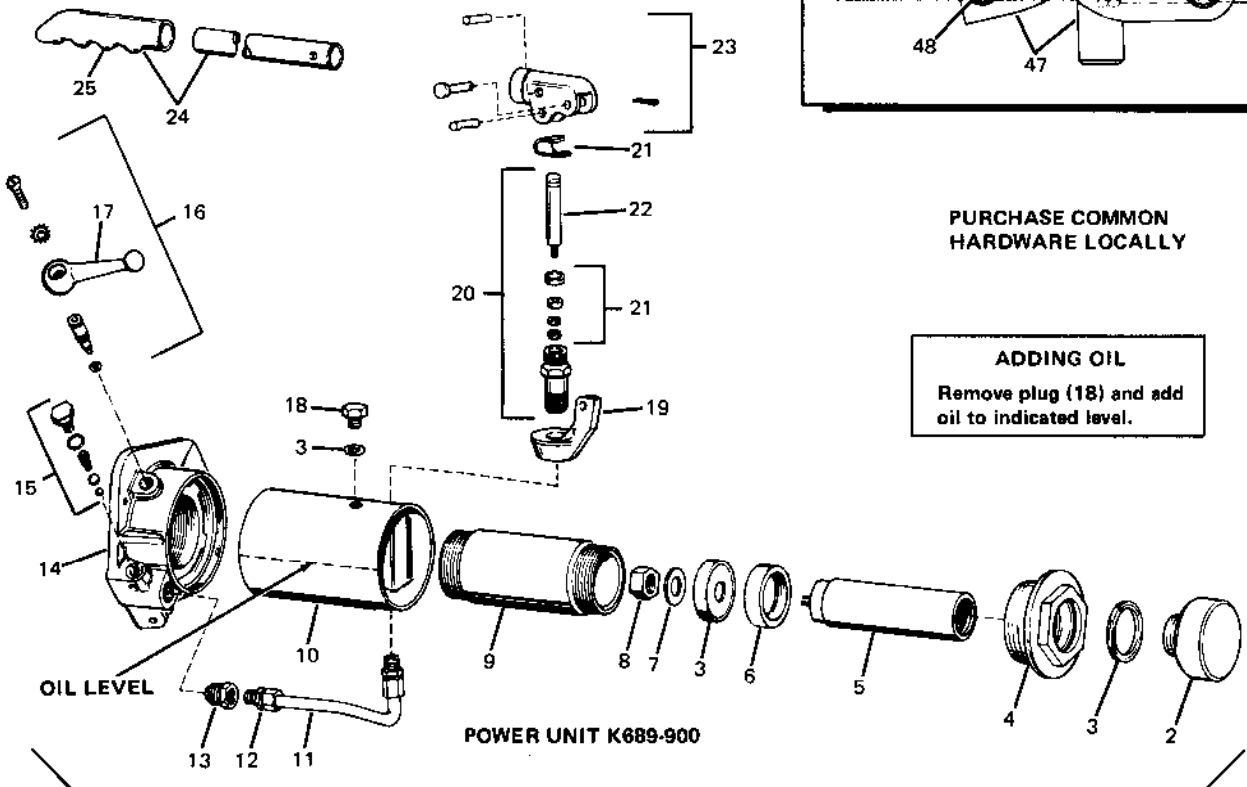
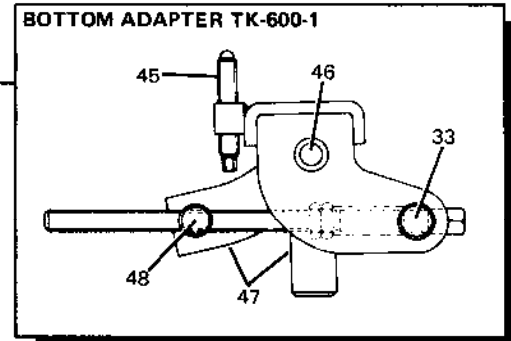
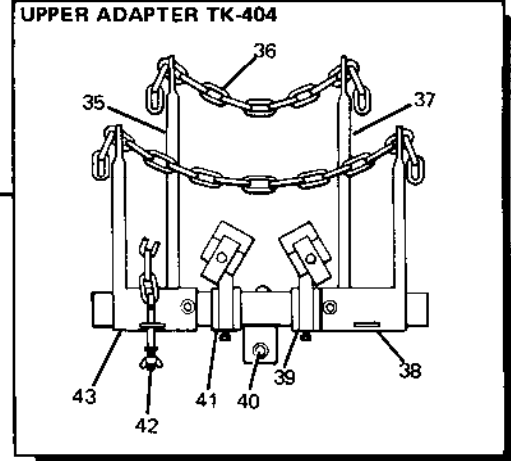
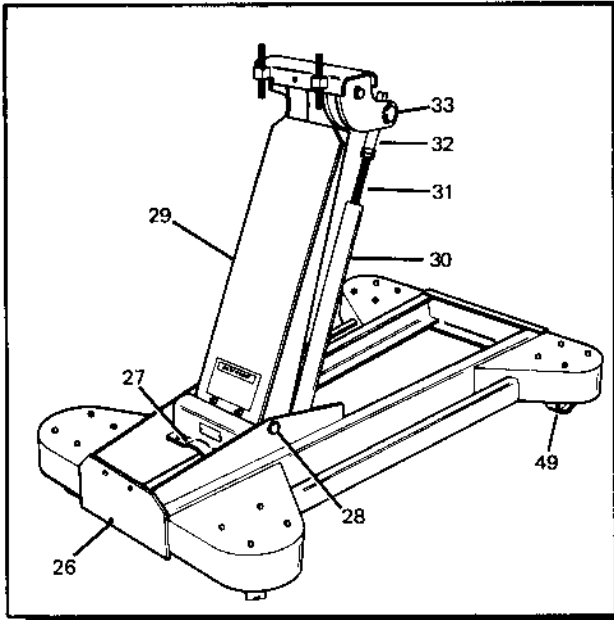
Lifting Equipment

Automotive Product Service Division

MODEL AMERICAN AT-14
BLACKHAWK T-14

ISSUED MARCH 3, 1976
SUPERSEDES PS-429

TRUCK TRANSMISSION JACK
CAPACITY: 2000 LBS.



PURCHASE COMMON
HARDWARE LOCALLY

ADDING OIL
Remove plug (18) and add
oil to indicated level.

REPAIR PARTS LIST

Item No.	Part No.	No. Req.	Description
1	K689-900	1	Power Unit
2	J421-045	1	Saddle
3	T14X	1	Repair Kit
4	K519-020	1	Top Cap
5	KJ100-019	1	Plunger
6	KJ100-020	1	Plunger Ring
7	KJ100-011	1	Washer
8	KJ100-015	1	Nut
9	KJ100-007	1	Cylinder
10	K902-025	1	Reservoir
11	J427-268	1	Tube
12	J426-096	2	Fitting
13	J580-096	1	Nipple
14	E672-005	1	Base
15	U30X4*	1	Valve Kit
16	U30X29	1	Release Valve Kit
17	P60-12	1	Lever
18	AJ100-406	1	Breather Plug
19	J772-111	1	Swivel
20	K786-900	1	Pump
21	U30X31	1	Pump Kit
22	J737-040	1	Piston
23	U30X30	1	Beam w/Pins
24	J246-900	1	Handle w/Grip
25	J345-550	1	Grip
26	U30X43	1	Hardware
27	J424-111	1	Strap
28	J411-104	1	Lift Arm Shaft
29	J420-103	1	Lift Arm
30	J414-900	1	Parallel Arm

Item No.	Part No.	No. Req.	Description
31	D45-028	1	Adjusting Screw
32	D47-039	1	Sleeve
33	D46-061	1	Pivot Nut
33	D241-044	2	Retaining Ring
34	TK-404	1	Upper Adapter
35	K717-111	1	Stud, R.H., 16-1/4"
36	D258-066	3	Chain
37	K715-111	1	Stud, L.H., 16-1/4"
38	K716-111	1	Stud, R.H., 12-1/4"
39	D58-111	1	Bracket, L.H.
40	J251-104	1	Roller Shaft
40	A435-524	2	Retaining Ring
41	D57-111	1	Bracket, R.H.
42	D65-017	1	Chain Hook
42	D251-055	1	Wing Nut
43	K714-111	1	Stud, L.H., 12-1/4"
44	TK600-1	1	Bottom Adapter
45	D64-028	2	Tilt Screw
46	J249-104	1	Cross Shaft
46	A434-523	2	Retaining Ring
47	K703-111	1	Link w/Stud
48	K271-055		Adjusting Screw Nut
49	D66-154	4	Caster
50	LX21		Jack Oil
Oil is Available in Quart, Gallon and 5 Gallon Cans			
†51	D53-111	1	Lower Adapter Channel
†52	D54-111	1	Upper Adapter Channel
†53	T14-026X	1	Decal (Pak of 1)
54	820-20154	1	Repair Part Sheet
*Available individually and in T14X Kit			

PANZITTA SALES & SERVICE
72 George Avenue
Wilkes-Barre, PA 18705
570-822-6720 800-822-6720
www.panzittasales.com