



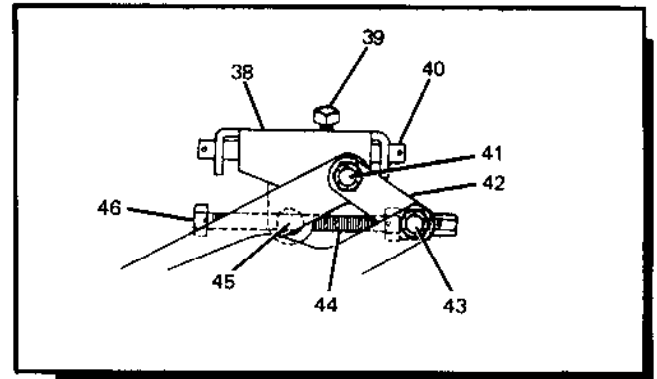
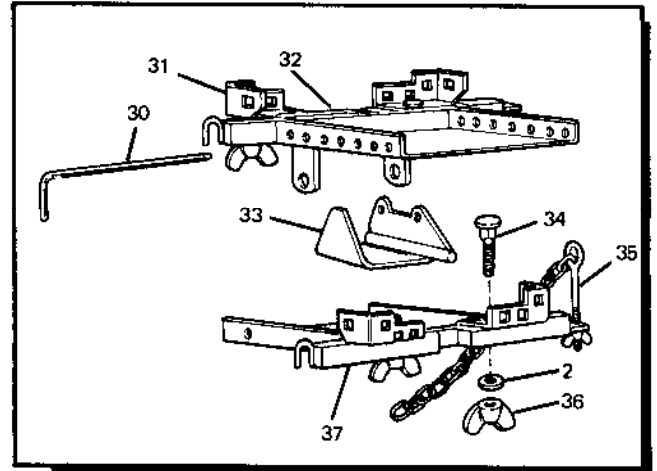
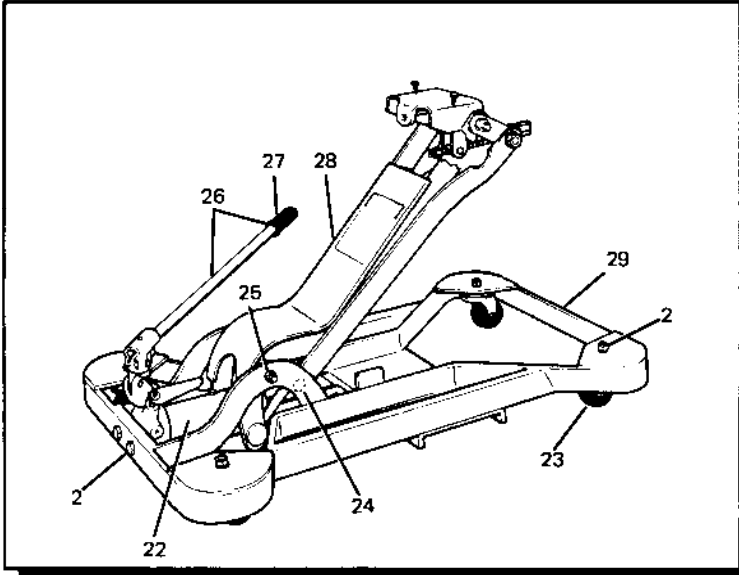
Lifting Equipment

Automotive Product Service Division

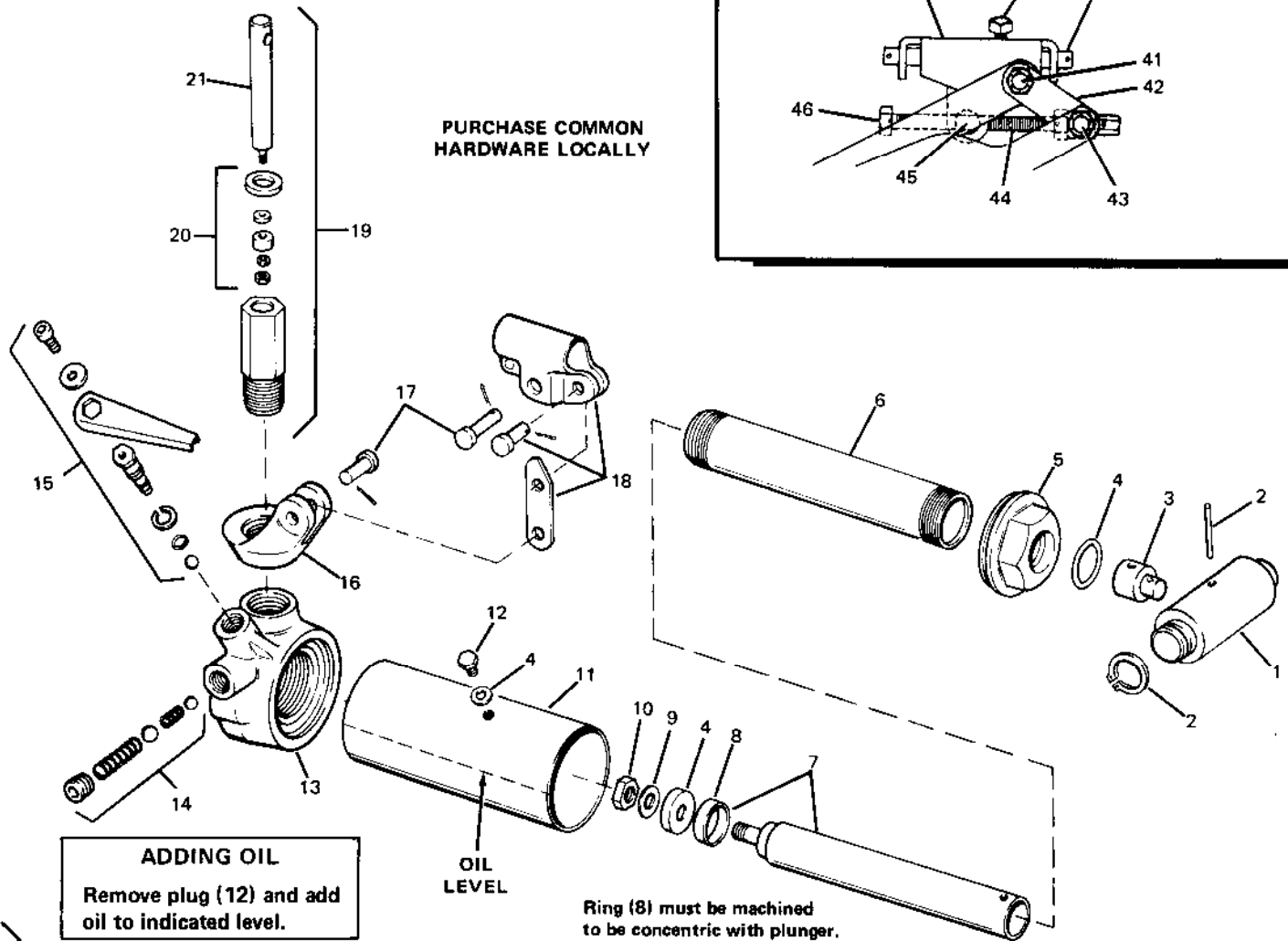
MODEL AMERICAN TJ-12
BLACKHAWK T-1
SERIAL CODE F

ISSUED MARCH 15, 1976
SUPERSEDES PS-431

TRANSMISSION JACK
CAPACITY: 1000 LBS.



PURCHASE COMMON
HARDWARE LOCALLY



ADDING OIL
Remove plug (12) and add oil to indicated level.

OIL LEVEL

Ring (8) must be machined to be concentric with plunger.

REPAIR PARTS LIST

Item No.	Part No.	No. Req.	Description
1	K572-186	1	Ram Nose
2	U30X28	1	Hardware
3	K571-225	1	Ram Nose Insert
4	T1U	1	Universal Repair Kit
5	K516-020	1	Top Cap
6	CJ100-008	1	Cylinder
7	E372-900	1	Plunger w/Ring
8	E371-044	1	Plunger Ring
9	W40-108	1	Washer
10	AJ100-019	1	Nut
11	K379-025	1	Reservoir
12	AJ100-406	1	Breather Plug
13	K38-005	1	Base w/Tube
13	D95-268	1	Tube
14	U30X25*	1	Valve Kit
15	U30X26*	1	Release Valve Kit
16	H95-111	1	Swivel Block
17	U30X27	1	Base and Link Pin (Pak of 3 Each)
18	J718-900	1	Beam w/Link and Pin
19	K785-900	1	Pump
20	U30X3*	1	Pump Kit
21	K585-040	1	Piston
22	K683-900	1	Power Unit
23	D221-154	4	Caster
24	E409-305	2	Stud (Tilt Arm)
25	D298-061	1	Hinge Pin
26	J804-070	1	Handle w/Grip

Item No.	Part No.	No. Req.	Description
27	J345-550	1	Grip
28	D290-103	1	Lift Arm
29	D289-001-1	1	Frame
30	D106-061	1	Location Pin
31	TK323	1	Corner (Set of 4)
32	E822-111	1	Bottom Channel
33	TK325	1	Power Glide Adapter
34	D274-028	4	Corner Bolt
35	D975-900	1	Eye Bolt w/Chain
36	D263-055	4	Wing Nut
37	E814-101	1	Top Channel
38	D291-111	1	Saddle
39	D304-028	2	Side Tilt Screw
40	D81-104	1	Saddle Shaft
41	D299-061	1	Head Hinge Pin
42	D295-062	2	Link
43	D303-055	1	Parallel Nut
44	H69-900	1	Front to Back Tilt Screw
45	D302-055	1	Pivot Nut
46	H68-055	2	Slotted Nut
47	LX21		Jack Oil
			Jack Oil is Available in Quart, Gallon and 5 Gallon Cans.
48	T1026X	1	Decal Kit (Pak of 1)
49	820-20149	1	Repair Part Sheet

*Available individually and in Kit TIU

PANZITTA SALES & SERVICE
 72 George Avenue
 Wilkes-Barre, PA 18705
 570-822-6720 800-822-6720
www.panzittasales.com