

# BLACKHAWK

## LIFTING EQUIPMENT

### Repair Parts Information

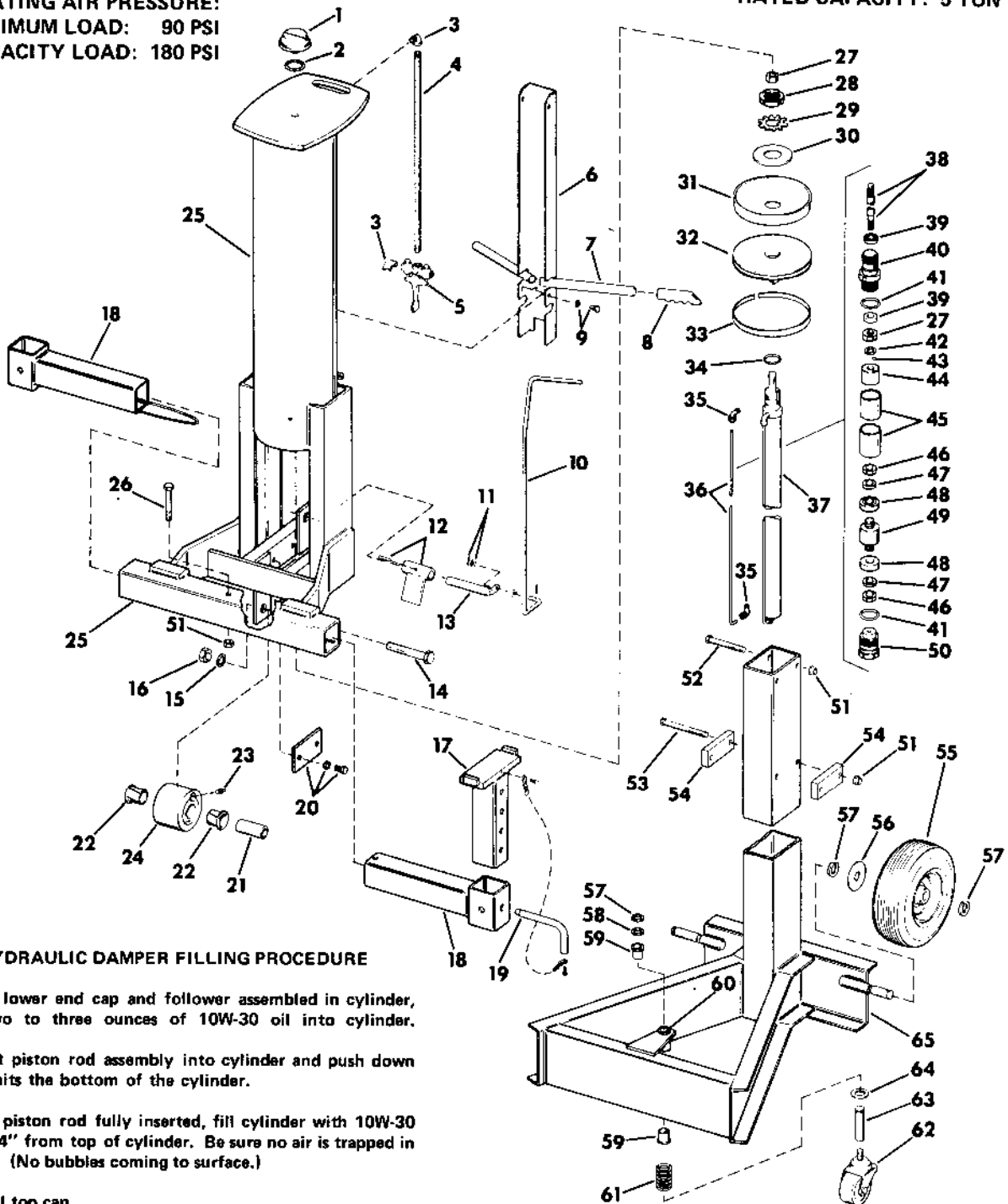
Air-Operated One-End Lift

MODEL SJ-65

Serial Code C

OPERATING AIR PRESSURE:  
MINIMUM LOAD: 90 PSI  
CAPACITY LOAD: 180 PSI

RATED CAPACITY: 5 TON



#### HYDRAULIC DAMPER FILLING PROCEDURE

1. With lower end cap and follower assembled in cylinder, pour two to three ounces of 10W-30 oil into cylinder.
2. Insert piston rod assembly into cylinder and push down until it hits the bottom of the cylinder.
3. With piston rod fully inserted, fill cylinder with 10W-30 oil to 3/4" from top of cylinder. Be sure no air is trapped in cylinder. (No bubbles coming to surface.)
4. Install top cap.
5. Pull on piston rod. There should be no free movement of the rod. Even a slight free movement indicates too low an oil level. Overfilling the cylinder will cause the piston rod to creep out of the cylinder by itself. If it does not come out by itself more than one-half inch, this condition is acceptable.
6. When installing tubing elbows to unit, make sure they are leak-free as a leak at the elbows and tube will result in leak-down of the jack.

FOR QUALITY WORKMANSHIP AND GENUINE BLACKHAWK PARTS, SELECT A BLACKHAWK AUTHORIZED SERVICE DEPOT FOR YOUR REPAIR NEEDS.

USE ONLY LX-21 JACK OIL AND GENUINE FACTORY PARTS.  
USE OF OTHER HYDRAULIC FLUIDS OR NON-GENUINE PARTS VOIDS WARRANTY.  
NEVER USE BRAKE FLUID.

# REPAIR PARTS LIST

Item No.	Part No.	No. Req.	Description
1	K224.020	1	Top Cap
* 2	K288.041	1	O-Ring
3	J168.291	2	Elbow
4	K203.096	1	Pipe
5	K91.900	1	Valve
6	K206.626	1	Cover w/Handles
7	K205.070	2	Handle
8	K567.550	2	Grip
9	D245.028	4	Bolt
	D256.108	4	Washer
10	K214.149	1	Release Rod
11	W40.108	2	Washer
	K18.58	2	Pin
12	K213.626	1	Latch
	B239.061	1	Pin
13	K209.626	1	Shaft
14	K284.028	1	Bolt
15	K338.108	1	Washer
16	K285.055	1	Nut
17	K111.626	2	Saddle
18	K104.626	2	Arm
19	A489.900	2	Pin w/Chain
	E817.028	4	Rivet
20	K225.186	2	Spacer
	AJ100.207	4	Bolt
	SJ100.415	4	Washer
21	K201.268	1	Spacer
22	K200.039	2	Bushing
23	S4.188-2	1	Fitting
24	K202.281	1	Roller
25	K35.900	1	Tank
26	K286.028	1	Bolt
27	D235.055	2	Nut
28	K222.055	1	Nut
29	K230.108	1	Washer
30	K223.108	1	Washer
*31	K221.041	1	Cup
32	K218.626	1	Piston
33	K219.044	1	Spacer

Item No.	Part No.	No. Req.	Description
*34	J774.041	1	O-Ring
35	J606.291	2	Elbow
36	K126.268	1	Tube
37	K132.900	1	Hydraulic Damper
38	K124.149	1	Rod
*39	K125.041	2	Cup
40	K131.020	1	Cap
*41	K106.041	2	O-Ring
42	K105.108	1	Washer
43	S4.156	1	Ball
44	K128.051	1	Piston
45	K127.030	1	Cylinder
46	AA85.120	2	Nut
47	AA85.43	2	Washer
*48	D385.041	2	Cup
49	K129.071	1	Follower
50	K130.020	1	Cap
51	C427.120	5	Nut
52	K287.028	2	Bolt
53	K147.242	2	Bolt
54	K118.101	2	Plate
55	K119.106	2	Wheel
56	E189.108	2	Washer
57	K289.044	5	Ring
58	K122.108	1	Washer
59	K220.039	2	Bushing
60	K17.111	1	Bracket
61	K12.110	1	Spring
62	E169.106	1	Caster
63	K42.061	1	Stem
64	K121.108	1	Washer
65	K17.001	1	Frame
†66	Purchase Locally 67 Cu. In. SAE 10W-30 Motor Oil		
†67	K573.026	1	Decal (Instructions)
†68	E704.026	1	Decal (Caution)
†69	SJ65.026X		Decal Kit (Model)

† Not shown.  
 For economical maintenance order Repair Kit SJ65X.  
 Items included in Kit are marked with asterisk (\*).

**NOTE:** Orders for parts cannot be filled unless both model and serial number with prefix imprinted on nameplate are given.

**PANZITTA SALES & SERVICE**  
 72 George Avenue  
 Wilkes-Barre, PA 18705  
 570-822-6720 800-822-6720  
 www.panzittasales.com