

BLACKHAWK

**LIFTING
EQUIPMENT**

Repair Parts Information

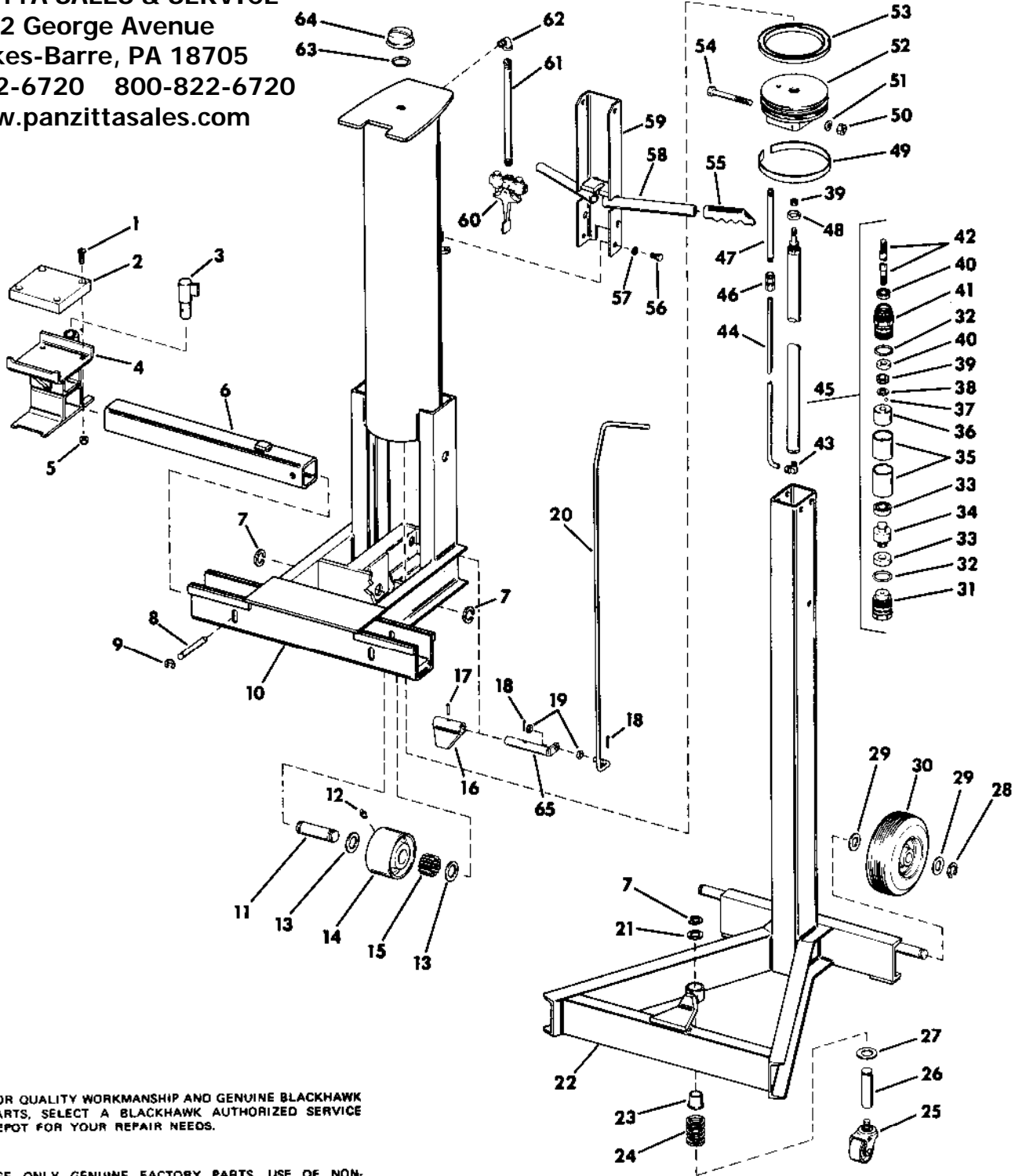
Air-Operated One-End Lift

MODEL SJ-64

Serial Code B

RATED CAPACITY 2-1/2 TON
OPERATING AIR PRESSURE 90 TO 180 P.S.I.

PANZITTA SALES & SERVICE
72 George Avenue
Wilkes-Barre, PA 18705
570-822-6720 800-822-6720
www.panzittasales.com



FOR QUALITY WORKMANSHIP AND GENUINE BLACKHAWK PARTS, SELECT A BLACKHAWK AUTHORIZED SERVICE DEPOT FOR YOUR REPAIR NEEDS.

USE ONLY GENUINE FACTORY PARTS. USE OF NON-GENUINE PARTS VOIDS WARRANTY.

REPAIR PARTS LIST

Item No.	Part No.	No. Req.	Description	Item No.	Part No.	No. Req.	Description
1	J318.028	8	Screw	37	P125.16	1	Ball
2	K92.045	2	Pad	38	TC7.43	1	Washer
3	K986.061	2	Pin	39	B779.181	2	Nut
4	K86.045	2	Saddle	*40	J595.041	2	Cup
5	SJ100.320	8	Nut	41	J596.020	1	Cap
6	K473.103	2	Arm	42	K97.149	1	Rod
7	K289.044	3	Ring	43	J606.291	1	Elbow
8	K50.061	2	Pin	44	K99.268	1	Tube
9	A664.523	4	Ring	45	K94.900	1	Damper Assembly
10	K26.900	1	Tank	46	K85.096	1	Fitting
11	K2.104	1	Shaft	47	K40.096	1	Nipple
12	S4.188-2	1	Fitting	48	J612.186	1	Spacer
13	K5.108	2	Washer	49	K51.044	1	Ring
14	K4.106	1	Roller w/Bearing	50	B776.181	3	Nut
15	K1.107	2	Bearing	51	K244.108	3	Washer
16	K27.900	1	Latch	52	K93.051	1	Piston
17	K249.061	1	Pin	*53	K52.041	1	Cup
18	K18.58	2	Pin	54	K287.028	3	Bolt
19	W40.108	2	Washer	55	E709.550	2	Grip
20	K34.149	1	Rod	56	D245.028	4	Bolt
21	K122.108	1	Washer	57	D256.108	6	Washer
22	K2.001	1	Frame	58	K35.070	2	Handle
23	K220.039	1	Bushing	59	K78.626	1	Cover w/Handles
24	K123.110	1	Spring	60	K91.900	1	Valve
25	J982.154	1	Caster	61	K98.096	1	Pipe
26	K120.061	1	Extention	62	J168.291	1	Elbow
27	K121.108	1	Washer	*63	K250.041	1	"O" Ring
28	B557.523	4	Ring	64	K54.020	1	Cap
29	E189.108	4	Washer	65	K31.900	1	Shaft
30	E587.106	2	Wheel	†66	10W-30		19½ Cu. In. Motor Oil
31	J603.020	1	Cap	†67	E740.026		Decal (Repair)
*32	J597.041	2	"O" Ring	†68	E704.026		Decal (Caution)
*33	J600.041	2	Cup				
34	J601.071	1	Follower				
35	J598.030	1	Cylinder				
36	K95.051	1	Piston				

†Not Shown.
 For economical maintenance order Repair Kit SJ64X.
 Items included in kit are marked with asterisk (*).

NOTE: Orders for parts cannot be filled unless both model and serial number with prefix imprinted on nameplate are given.

PANZITTA SALES & SERVICE
 72 George Avenue
 Wilkes-Barre, PA 18705
 570-822-6720 800-822-6720
 www.panzittasales.com