

**BLACKHAWK**

**LIFTING  
EQUIPMENT**

**Repair Parts Information**

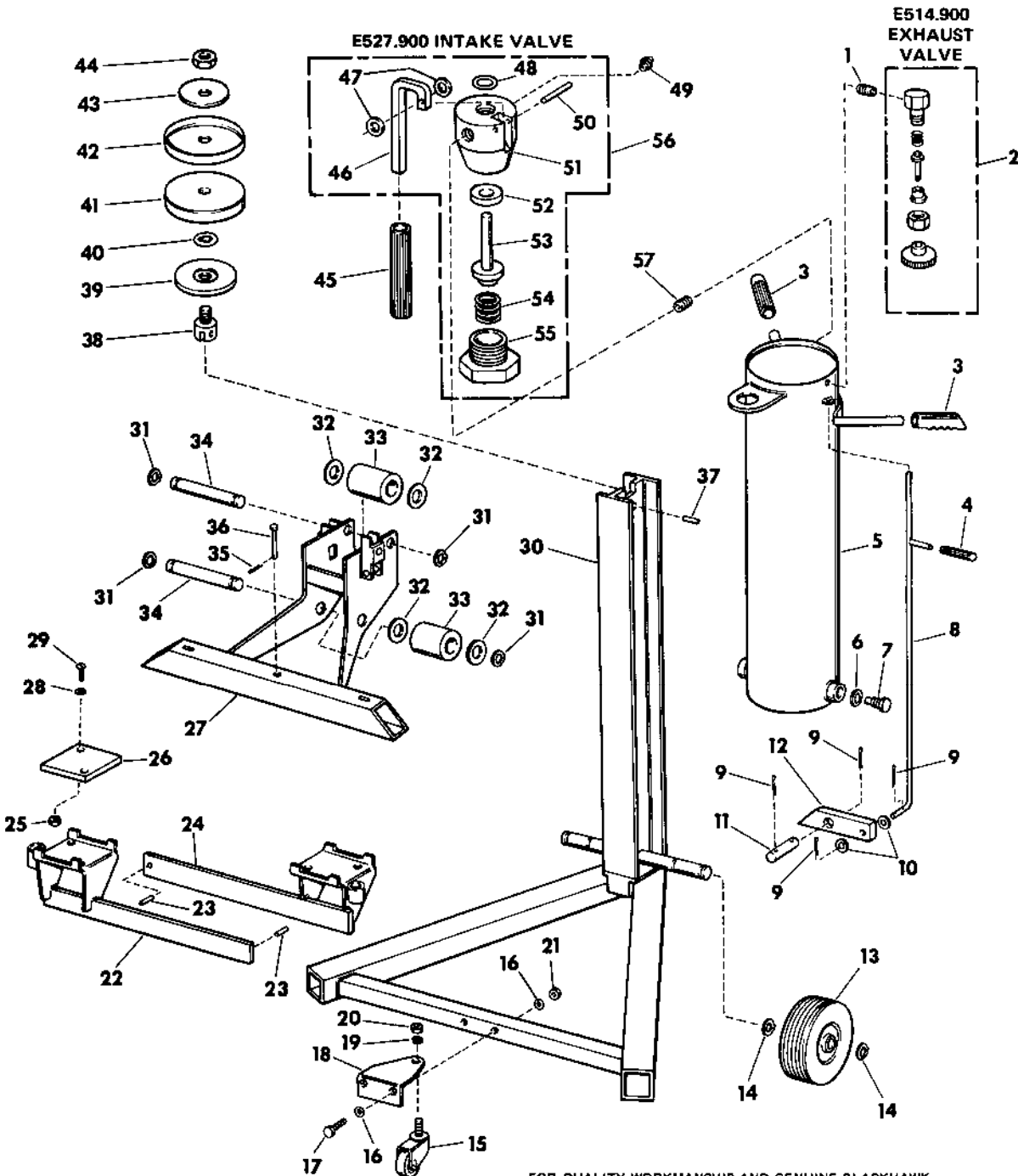
Air-operated One End Lift

**MODEL SJ-62**

Serial Code B

OPERATING AIR PRESSURE: 90 TO 165 PSI

CAPACITY: 1½ TON



**PANZITTA SALES & SERVICE**  
72 George Avenue  
Wilkes-Barre, PA 18705  
570-822-6720 800-822-6720  
www.panzittasales.com

FOR QUALITY WORKMANSHIP AND GENUINE BLACKHAWK PARTS, SELECT A BLACKHAWK AUTHORIZED SERVICE DEPOT FOR YOUR REPAIR NEEDS.

USE ONLY LX-21 JACK OIL AND GENUINE FACTORY PARTS. USE OF OTHER HYDRAULIC FLUIDS OR NON-GENUINE PARTS VOIDS WARRANTY. NEVER USE BRAKE FLUID.

# PARTS LIST FOR MODEL SJ-62

Item No.	Part No.	No. Req.	Description	Item No.	Part No.	No. Req.	Description
1	E566.431	1	Nipple	33	E562.900	2	Roller
2	E514.900	1	Exhaust Valve	34	E538.104	2	Shaft
3	E709.550	2	Grip	*35	1.058	1	Pin
4	E657.268	1	Tube	36	SJ100.049	1	Pin
5	E581.900	1	Tank	37	E546.061	1	Pin
6	S4.180	2	Washer	38	E545.305	1	Stud
7	E539.305	2	Stud	39	E544.108	1	Washer
8	E574.900	1	Release Rod	*40	R478.505	1	O-Ring
*9	K18.058	4	Pin	41	E548.040	1	Piston
10	W40.108	2	Washer	*42	E547.041	1	Cup
11	E565.061	1	Pin	43	E541.108	1	Washer
12	E542.817	1	Safety Latch	44	H22.055	1	Nut
13	E587.106	2	Wheel	45	E656.268	1	Tube
14	B557.523	4	Ring	46	E530.157	1	Lever
15	E543.154	1	Caster	47	E535.108	2	Washer
16	D215.108	4	Washer	*48	B709.503	1	O-Ring
17	B874.028	2	Screw	49	D609.165	1	Air Chuck
18	E536.111-1	1	Bracket	50	E531.061	1	Pin
19	S4.139	1	Washer	51	Order Item 56		Complete Valve
20	D891.055	1	Nut	52	E534.290	1	Seat
21	SJ100.230	2	Nut	53	E532.010	1	Spindle
22	K647.103	1	Saddle Bar, R.H.	54	E533.183	1	Spring
23	SJ100.076	2	Pin	55	E529.277	1	Housing
24	K648.103	1	Saddle Bar, L.H.	56	E527.900	1	Valve
25	E689.055	4	Nut	57	FZ-1647	1	Nipple
26	E584.045	2	Pad	†58	E740.026	1	Decal (Repair)
27	Not Available		Elevator	†59	E704.026	1	Decal (Caution)
28	K263.108	4	Washer	†60	K986.061	2	Adapter
29	E198.028	4	Screw				
30	Not Available		Frame				
31	A434.523	4	Ring				
32	E537.108	4	Washer				

†Not Shown  
For economical maintenance order Repair Kit SJ-52X  
Items included in Kit are marked with asterisk(\*).

**NOTE:** Orders for parts cannot be filled unless both model and serial number with prefix imprinted on nameplate are given.

**PANZITTA SALES & SERVICE**  
 72 George Avenue  
 Wilkes-Barre, PA 18705  
 570-822-6720 800-822-6720  
 www.panzittasales.com