

BLACKHAWK

**LIFTING
EQUIPMENT**

Repair Parts Information

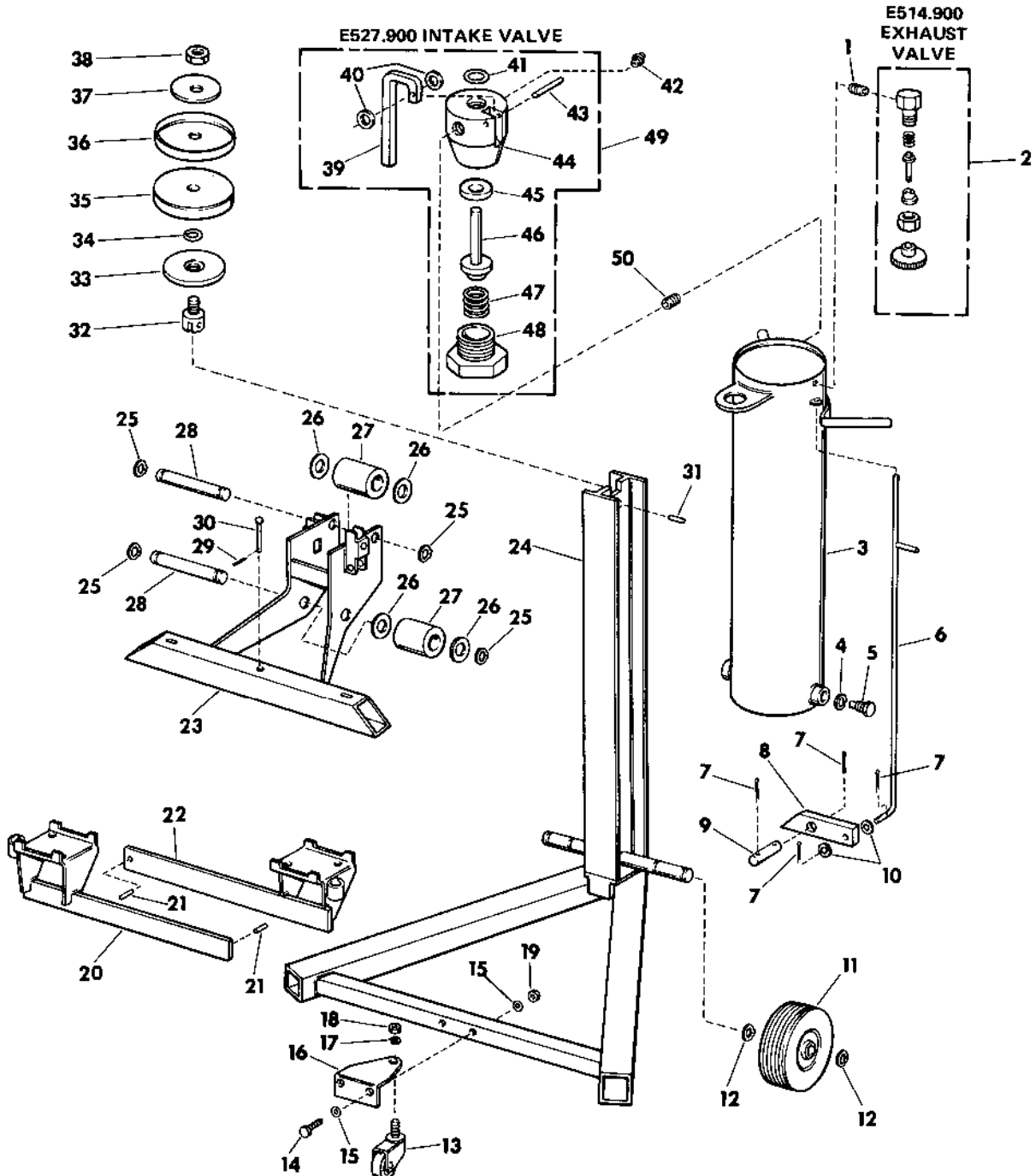
Air-operated One End Lift

MODEL SJ-52

Serial Code B

OPERATING AIR PRESSURE: 90 TO 165 PSI

CAPACITY: 1½ TON



PANZITTA SALES & SERVICE

72 George Avenue

Wilkes-Barre, PA 18705

570-822-6720 800-822-6720

www.panzittasales.com

FOR QUALITY WORKMANSHIP AND GENUINE BLACKHAWK PARTS, SELECT A BLACKHAWK AUTHORIZED SERVICE DEPOT FOR YOUR REPAIR NEEDS.

USE ONLY LX-21 JACK OIL AND GENUINE FACTORY PARTS. USE OF OTHER HYDRAULIC FLUIDS OR NON-GENUINE PARTS VOIDS WARRANTY.

NEVER USE BRAKE FLUID.

PARTS LIST FOR MODEL SJ-52

Item No.	Part No.	No. Req.	Description	Item No.	Part No.	No. Req.	Description
1	E566.431	1	Nipple	30	SJ100.049	1	Pin
2	E514.900	1	Exhaust Valve	31	E546.061	1	Pin
3	E567.900	1	Tank	32	E545.305	1	Stud
4	S4.180	2	Washer	33	E544.108	1	Washer
5	E539.305	2	Stud	*34	R478.505	1	O-Ring
6	E559.900	1	Release Rod	35	E548.040	1	Piston
*7	K18.058	4	Pin	*36	E547.041	1	Cup
8	E542.817	1	Safety Latch	37	E541.108	1	Washer
9	E565.061	1	Pin	38	H22.055	1	Nut
10	W40.108	2	Washer	39	E530.157	1	Lever
11	E540.106	2	Wheel	40	E535.108	2	Washer
12	B557.523	4	Ring	*41	B709.503	1	O-Ring
13	E543.154	1	Caster	42	D609.165	1	Air Chuck
14	B874.028	2	Screw	43	E531.061	1	Pin
15	D215.108	4	Washer	44	Order Item 49		Complete Valve
16	E536.111-1	1	Bracket	45	E534.290	1	Seat
17	S4.139	1	Washer	46	E532.010	1	Spindle
18	D891.055	1	Nut	47	E533.183	1	Spring
19	SJ100.230	2	Nut	48	E529.277	1	Housing
20	K647.103	1	Saddle Bar, R.H.	49	E527.900	1	Intake Valve
21	SJ100.076	2	Pin	50	FZ-1647	1	Nipple
22	K648.103	1	Saddle Bar, L.H.	†51	E740.026	1	Decal (Repair)
23	Not Available		Elevator	†52	E704.026	1	Decal (Caution)
24	Not Available		Frame	†53	K986.061	2	Adapter
25	A434.523	4	Ring				
26	E537.108	4	Washer				
27	E562.900	2	Roller				
28	E538.104	2	Shaft				
*29	1.058	1	Pin				

†Not shown
For economical maintenance order Repair Kit SJ-52X.
Items included in Kit are marked with asterisk (*).

PANZITTA SALES & SERVICE
 72 George Avenue
 Wilkes-Barre, PA 18705
 570-822-6720 800-822-6720
 www.panzittasales.com