



APPLIED POWER
INC.

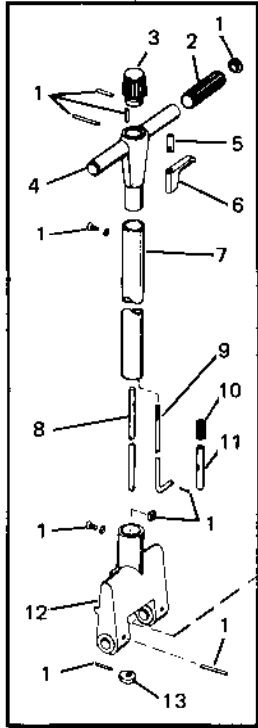
Lifting Equipment

Automotive Product Service Division

MODEL AMERICAN FJ-401
BLACKHAWK SJ-4

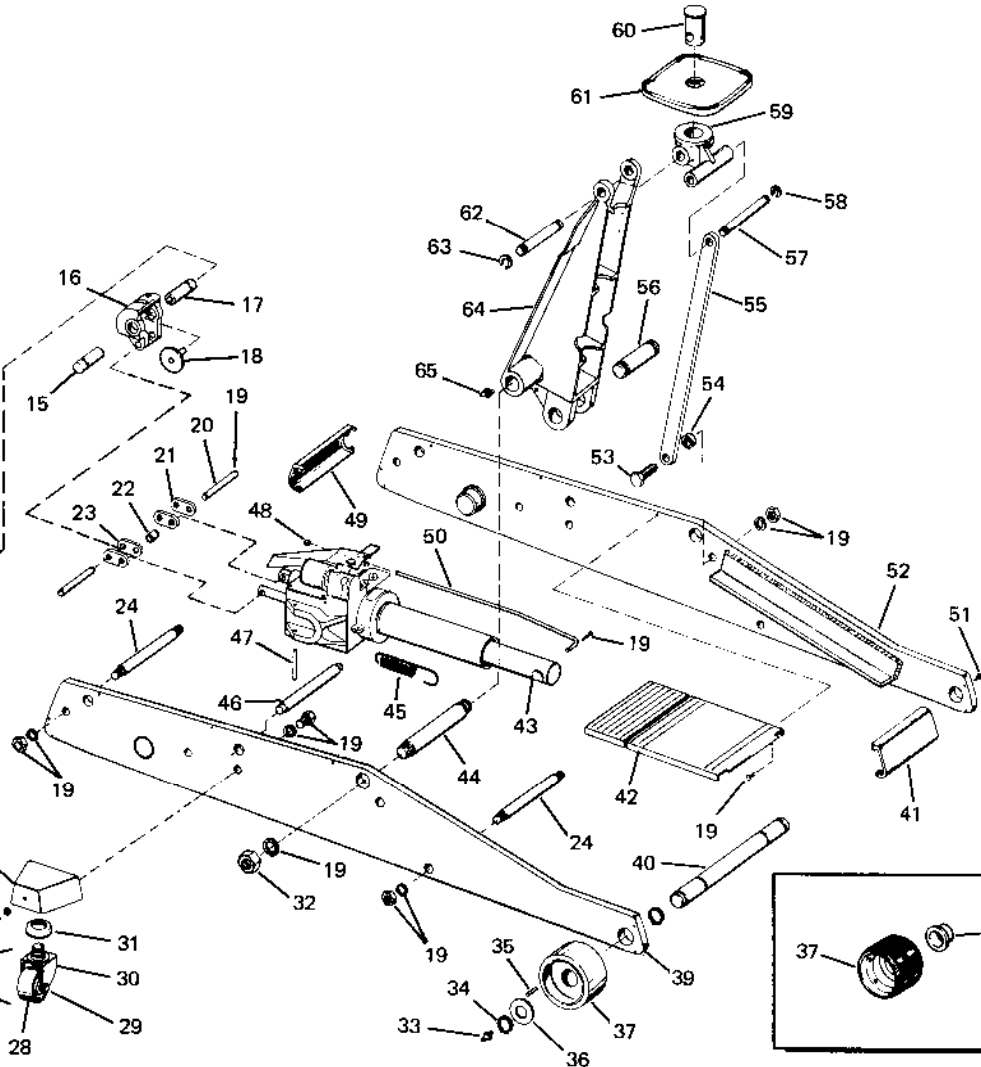
ISSUED FEBRUARY 27, 1978
SUPERSEDES PS-519

K1.070 HANDLE

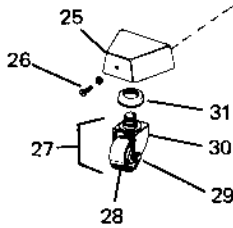


14

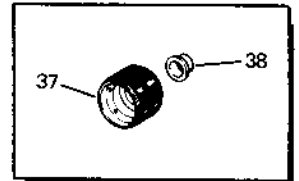
SERVICE JACK FRAME SERIAL CODE D



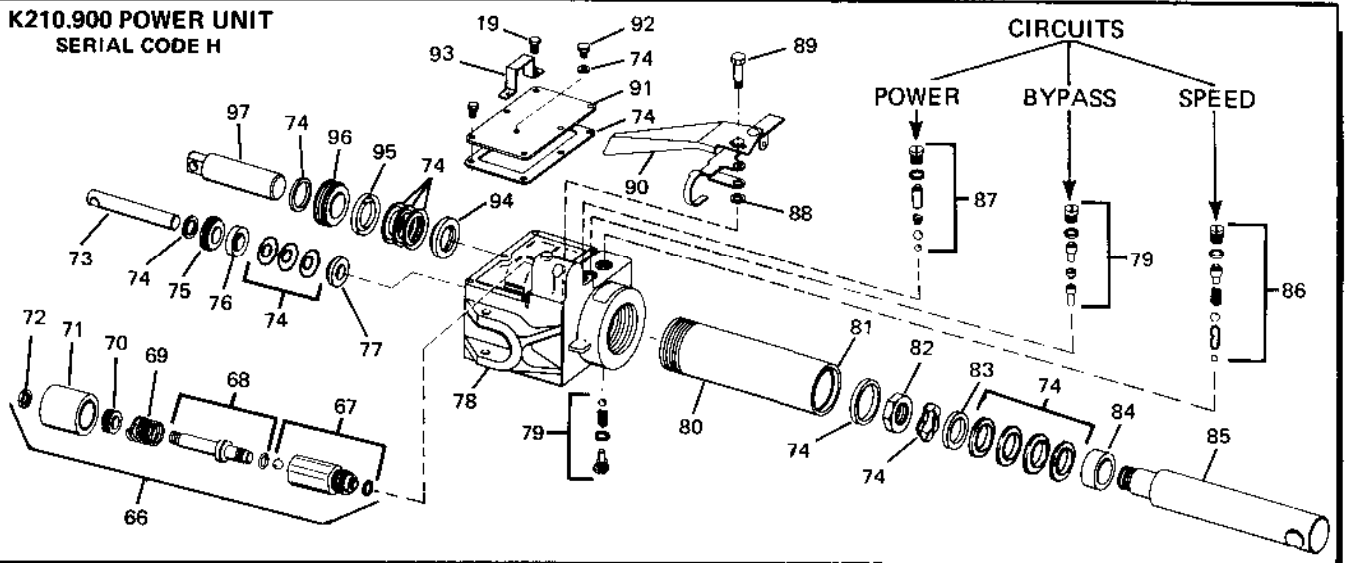
PURCHASE COMMON
HARDWARE LOCALLY



43



K210.900 POWER UNIT SERIAL CODE H

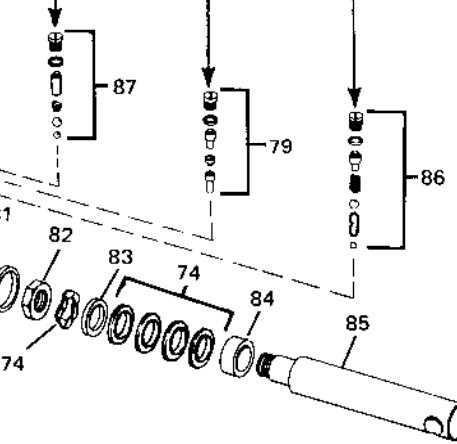


CIRCUITS

POWER

BYPASS

SPEED



REPAIR PARTS LIST

Item No.	Part No.	No. Req.	Description	Item No.	Part No.	No. Req.	Description
1	U30X23	1	Handle Kit	51	A751-087	8	Screw
2	A725-550	2	Grip	52	A848-901	1	Side Plate, L.H.
3	K1-308	1	Release Knob	53	A853-118	2	Parallel Link Bolt
4	A962-136	1	Cross Handle	54	A855-561	2	Parallel Link Spacer
5	D894-056	1	Segment Rod Nut	55	A852-116	2	Parallel Link
6	A963-144	1	Segment Lever	56	A862-153	1	Force Pin
7	A763-127	1	Handle Tube	57	A846-064	1	Link Pivot Pin
8	K1-104	1	Release Rod	58	A435-524	2	Retaining Ring
9	A961-142	1	Segment Pin Rod	59	A950-111	1	Saddle Bracket
10	A768-141	1	Segment Spring	60	A948-153	1	Saddle Retainer
11	A766-061	1	Segment Vertical Pin	61	A944-045	1	Saddle
12	A707-133	1	Yoke	62	A844-114	1	Saddle Pivot Pin
13	K1-350	1	Release Rod Cam	63	A434-523	2	Retaining Ring
14	K1-070	1	Handle Complete	64	A721-103	1	Lift Arm
15	A964-121	1	Segment Cross Pin, R.H.	65	S4-188-2	2	Lubrication Fitting
16	A932-134	1	Segment	66	K28-900	1	Release Valve Unit
17	A958-121	1	Segment Cross Pin, L.H.	67	K27-225X	1	Release Insert Kit
18	K3-010	1	Release Cone	68	K26-010X	1	Release Spindle w/O-Ring
19	U30X42	1	Hardware	69	K25-110	1	Spring
20	A875-064	2	Link Pln	70	K24-055	1	Adjusting Nut
21	A874-202	2	Link, L.H.	71	K23-446	1	Sleeve
22	A836-561	1	Link Spacer	72	B954-055	1	Nut
23	A873-202	2	Link, R.H.	73	A829-051	1	Pump Piston (Power)
24	A869-396	2	Tie Rod	74	SJ4X	1	Repair Kit
25	A718-189	2	Caster Bracket	75	A830-035	1	Packing Nut
26	S13-173	2	Lock Screw	76	A831-043	1	Female Spreader
27	S13-154A	2	Caster w/Wheel (Steel)	77	A833-043	1	Male Spreader
28	S8-174-1	2	Caster Wheel (Steel)	78	E250-900	1	Base
28	S6-174	2	Caster Wheel (Rubber)	79	U30X39	1	By-Pass Circuit
29	S4-175	2	Caster Axle	80	A816-901	1	Cylinder w/Insert
30	S13-154	2	Caster Bracket	81	A923-020	1	Cylinder Insert
31	D887-107	2	Caster Bearing	82	A823-035	1	Plunger Nut
32	A860-123	2	Pivot Bolt Nut	83	D878-043	1	Male Spreader
33	A828-188	2	Lubrication Fitting	84	D879-071	1	Disc
34	A850-523	4	Retaining Ring	85	A818-040	1	Plunger
35	S4-107	48	Wheel Bearing	86	U30X40	1	Speed Circuit
36	S4-108-1	2	Washer	87	U30X41	1	Power Circuit
37	A979-106	2	Front Wheel (Steel)	88	A970-561	1	Lever Spacer
37	S6-106A	2	Front Wheel (Rubber)	89	A840-042	1	Shoulder Bolt
38	A786-132	2	Rubber Wheel Spacer	90	K30-900	1	Release Lever
39	A848-900	1	Side Plate, R.H.	91	D730-162	1	Power Unit Cover
40	A849-104	1	Front Axle	92	AJ100-060	1	Filler Plug
41	A789-098	1	Front Cover	93	K814-111	1	Lever Bracket
42	A876-098	1	Top Cover	94	A798-043	1	Male Spreader
43	K210-900	1	Power Unit	95	A826-043	1	Female Spreader
44	A859-121	1	Arm Pivot Bolt	96	A825-035	1	Packing Nut
45	A864-184	2	Return Spring	97	A824-051	1	Pump Piston (Speed)
46	A806-396	1	Spacer Rod	98	LX21	1	Jack Oil
47	A987-061	2	Base Retaining Pin				Hydraulic Oil is Available in Quart, Gallon and 5 Gallon Cans
48	A810-232	1	Collar	99	SJ4-026X	1	Decal Kit (Pak of 1)
49	A813-098	1	Rear Cover	100	820-20167		Repair Part Sheet
50	A709-149	1	Hi-Limit Rod				

PANZITTA SALES & SERVICE
 72 George Avenue
 Wilkes-Barre, PA 18705
 570-822-6720 800-822-6720
 www.panzittasales.com