



APPLIED POWER
INC.

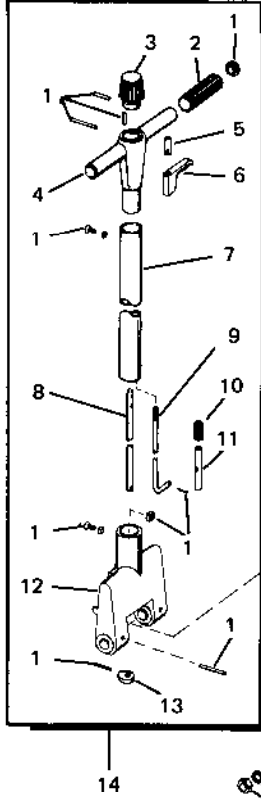
Lifting Equipment

Automotive Product Service Division

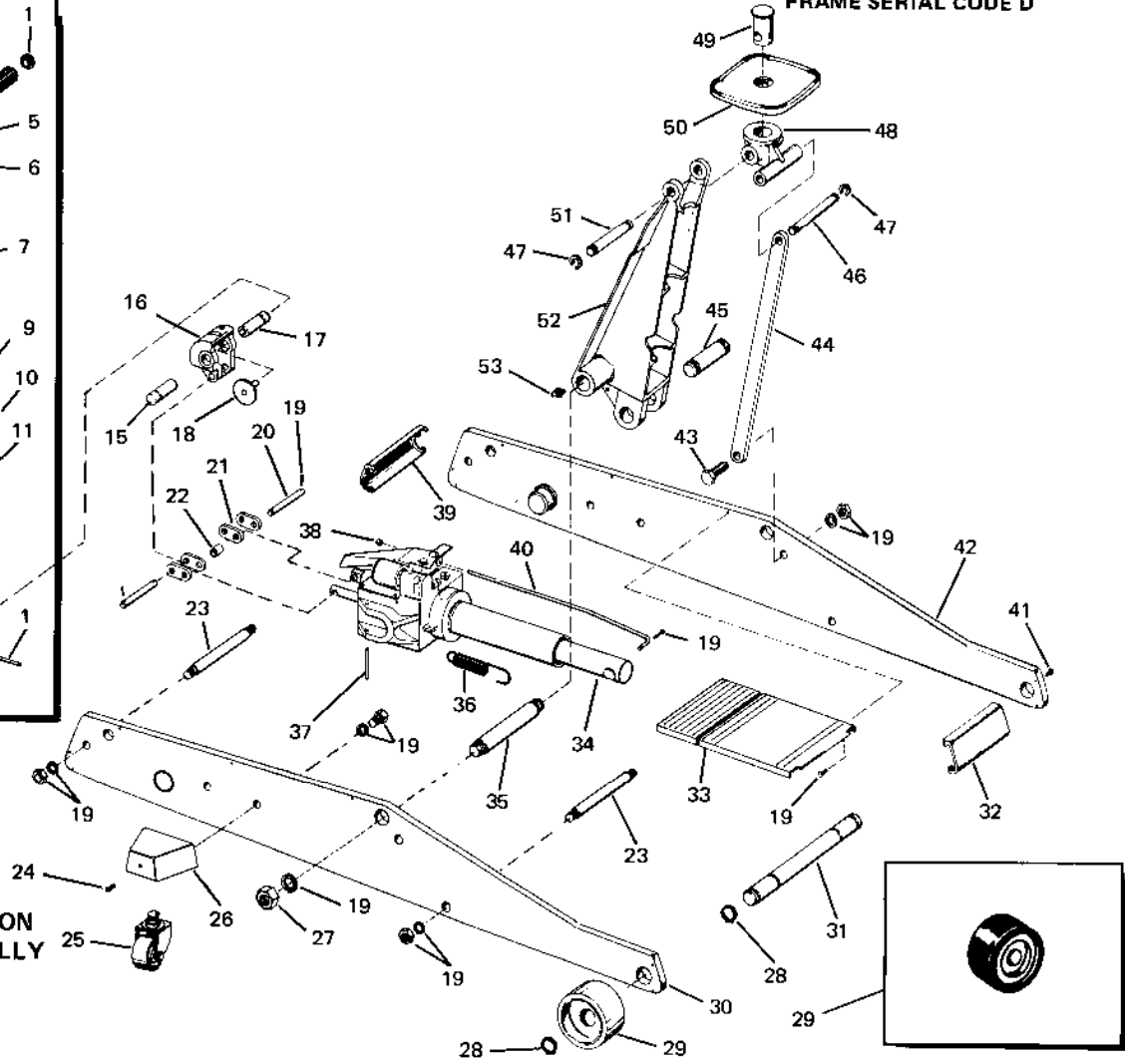
MODEL AMERICAN FJ-201
BLACKHAWK SJ-3

ISSUED FEBRUARY 27, 1976
SUPERSEDES PS-518

K1.070 HANDLE

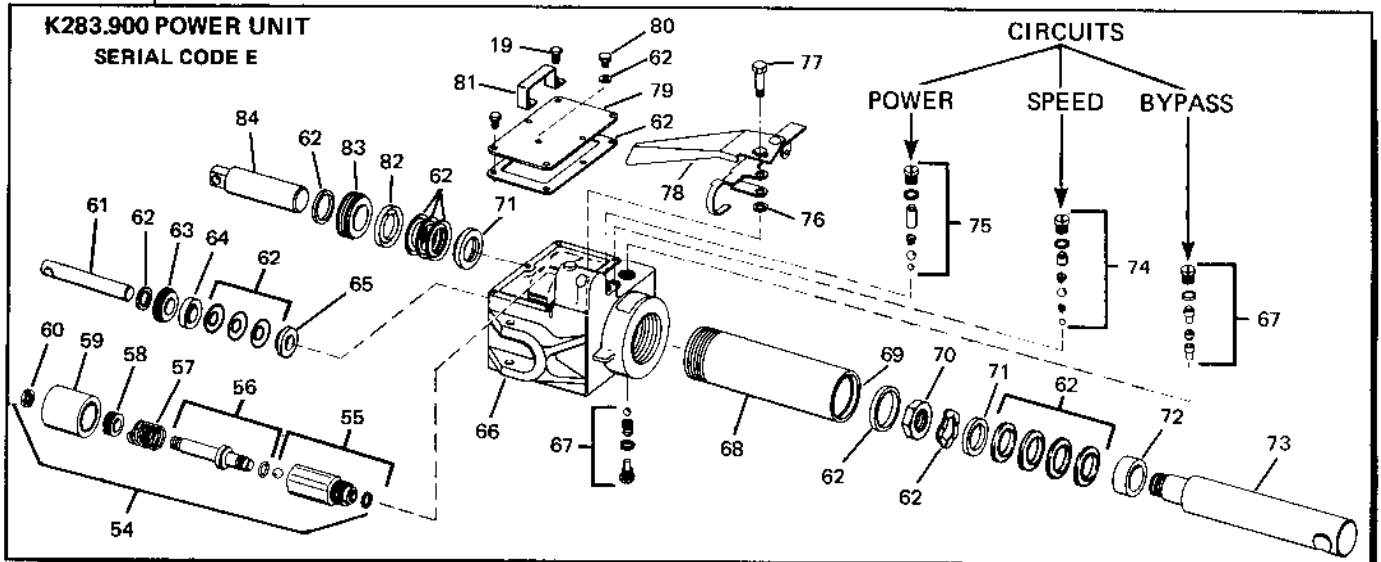


SERVICE JACK FRAME SERIAL CODE D



**PURCHASE COMMON
HARDWARE LOCALLY**

K283.900 POWER UNIT SERIAL CODE E

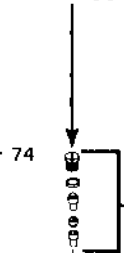
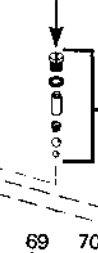


CIRCUITS

POWER

SPEED

BYPASS



REPAIR PARTS LIST

Item No.	Part No.	No. Req.	Description	Item No.	Part No.	No. Req.	Description
1	U30X23	1	Handle Kit	45	A800-153	1	Force Pin
2	A725-550	2	Grip	46	A713-064	1	Link Pivot Pin
3	K1-308	1	Release Knob	47	W407-524	4	Retaining Ring
4	A962-135	1	Cross Handle	48	A706-111	1	Saddle Bracket
5	D894-055	1	Segment Rod Nut	49	A947-153	1	Saddle Retainer
6	A963-144	1	Segment Lever	50	A943-045	1	Saddle
7	A763-127	1	Handle Tube	51	A712-114	1	Saddle Pivot Pin
8	K1-104	1	Release Rod	52	A705-103	1	Lift Arm
9	A961-142	1	Segment Pin Rod	53	S4-188-2	2	Lubrication Fitting
10	A768-141	1	Segment Spring	54	K28-900	1	Release Valve Unit
11	A766-061	1	Segment Vertical Pin	55	K27-225X	1	Release Insert Kit
12	A707-133	1	Yoke	56	K26-010X	1	Release Spindle w/O-Ring
13	K1-350	1	Release Rod Cam	57	K25-110	1	Spring
14	K1-070	1	Handle Complete	58	K24-055	1	Adjusting Nut
15	A964-121	1	Segment Cross Pin, R.H.	59	K23-446	1	Sleeve
16	A931-134	1	Segment	60	B954-055	1	Nut
17	A958-121	1	Segment Cross Pin, L.H.	61	A879-051	1	Pump Piston (Power)
18	K3-010	1	Release Cone	62	SJ3X	1	Repair Kit
19	U30X35	1	Hardware	63	A743-035	1	Packing Nut
20	A868-153	2	Link Pin	64	A744-043	1	Female Spreader
21	A872-202	4	Link	65	A746-043	1	Male Spreader
22	A871-039	1	Link Spacer	66	D276-005	1	Base
23	A807-398	2	Tie Rod	67	U30X36	1	By Pass Circuit
24	A672-173	4	Cone Screw	68	A729-901	1	Cylinder w/Insert
25	A673-154	2	Caster Wheel (Steel)	69	A922-020	1	Cylinder Insert
25	A858-154	2	Caster Wheel (Rubber)	70	A736-035	1	Plunger Nut
26	A671-189	2	Caster Bracket	71	A734-043	2	Male Spreader
27	NJ100-012	2	Pivot Bolt Nut	72	A732-071	1	Disc
28	A434-523	4	Retaining Ring	73	A731-040	1	Plunger
29	A978-106	2	Front Wheel (Steel)	74	U30X37	1	Speed Circuit
29	A854-106	2	Front Wheel (Rubber)	75	U30X38	1	Power Circuit
30	A715-900	1	Side Plate, R.H.	76	A961-561	1	Lever Spacer
31	A982-104	1	Front Axle	77	A760-042	1	Shoulder Bolt
32	A789-098	1	Front Cover	78	K173-900	1	Release Lever
33	A814-098	1	Top Cover	79	D729-162	1	Power Unit Cover
34	K283-900	1	Power Unit	80	AJ100-060	1	Filler Plug
35	A710-121	1	Arm Pivot Bolt	81	K944-111	1	Lever Bracket
36	A802-184	2	Return Spring	82	A739-043	1	Female Spreader
37	A804-061	2	Base Retaining Pin	83	A738-035	1	Packing Nut
38	A810-232	1	Collar	84	A878-051	1	Pump Piston (Speed)
39	A813-098	1	Rear Cover	85	LX21		Jack Oil
40	A714-149	1	Hi-Limit Rod				Jack Oil is Available in Quart, Gallon and 5 Gallon Cans
41	A751-087	8	Screw	86	SJ3-026X	1	Decal Kit (Pak of 1)
42	A715-901	1	Side Plate, L.H.	87	820-20166		Repair Part Sheet
43	A791-118	2	Parallel Link Bolt				
44	A790-116	2	Parallel Link				

PANZITTA SALES & SERVICE
 72 George Avenue
 Wilkes-Barre, PA 18705
 570-822-6720 800-822-6720
www.panzittasales.com