

BLACKHAWK

LIFTING EQUIPMENT

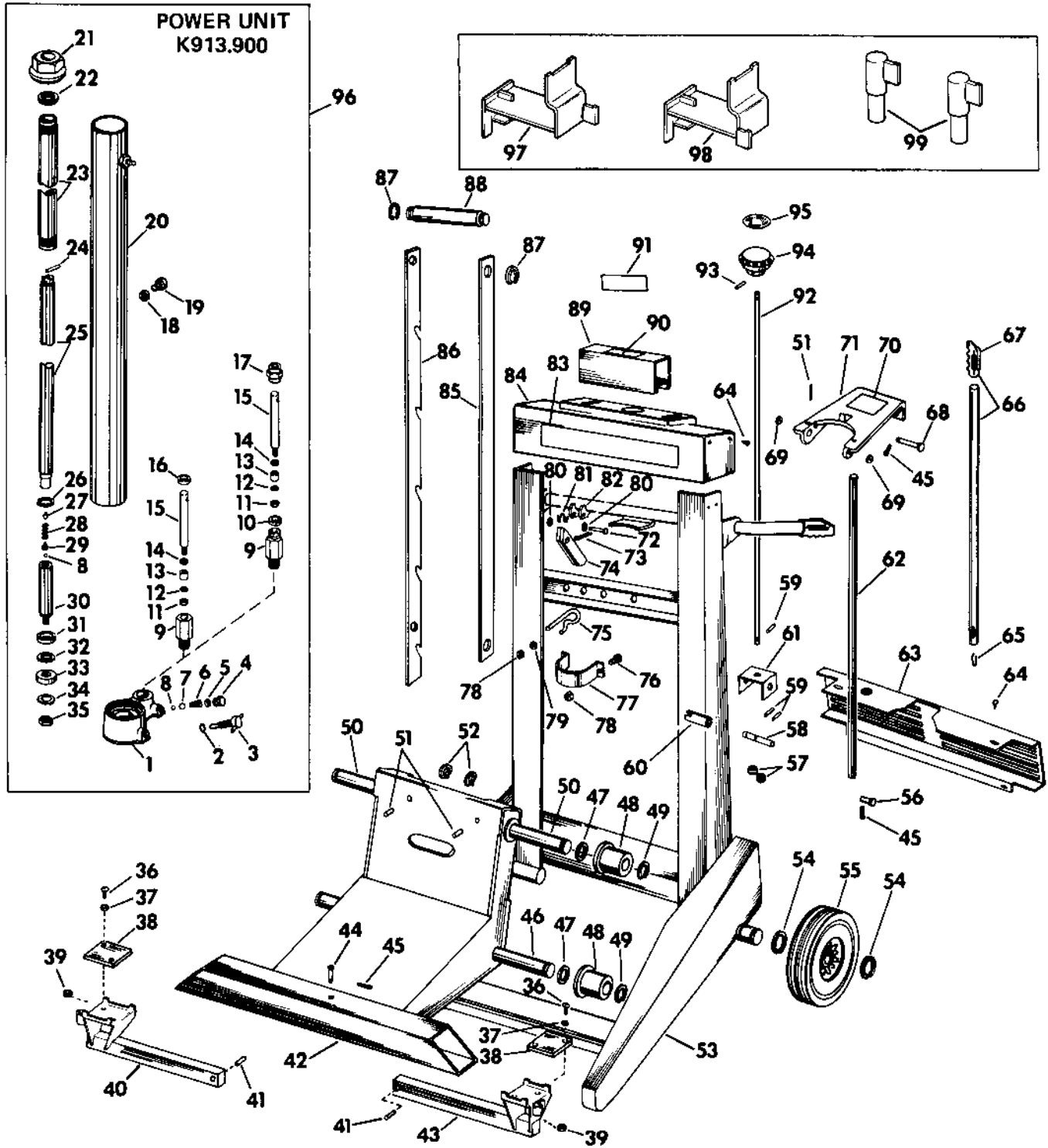
Repair Parts Information

One-End Lift

MODEL SJ-28

Serial Codes A & B

RATED CAPACITY: 1½ TON



FOR QUALITY WORKMANSHIP AND GENUINE BLACKHAWK PARTS, SELECT A BLACKHAWK AUTHORIZED SERVICE DEPOT FOR YOUR REPAIR NEEDS.

USE ONLY LX-21 JACK OIL AND GENUINE FACTORY PARTS. USE OF OTHER HYDRAULIC FLUIDS OR NON-GENUINE PARTS VOIDS WARRANTY.

NEVER USE BRAKE FLUID.

REPAIR PARTS LIST FOR MODEL SJ-28

Item No.	Part No.	No. Req.	Description	Item No.	Part No.	No. Req.	Description
1	K912.005	1	Base	49	A434.523	4	Ring
* 2	AJ100.312	1	O-Ring	50	J302.104	2	Shaft
3	AJ10.059	1	Valve	51	SJ100.381	3	Pin
4	CB9.186-2	1	Plug	52	SJ100.217	2	Ring
* 5	B159.167	1	Gasket	53			Frame (not available)
* 6	BA85.183	1	Spring	54	SJ100.070	4	Ring
* 7	S1.16	1	5/16" Ball	55	J786.106	2	Wheel
* 8	1.16	2	7/32" Ball	56	J19.57	1	Pin
9	K584.900	1	Pump (includes items 11 to 16)	57	J310.228	2	Gear
* 10	5.75	1	Packing	58	J312.104	1	Shaft
* 11	CB9.55	1	Nut	59	D238.061	3	Pin
* 12	SJ100.169	1	Washer	60	J315.034	1	Coupling
* 13	E221.041	1	Cup	61	J309.001	1	Housing
* 14	K583.041	1	Seal	62	K781.062	1	Link
15	K585.040	1	Piston	63	J313.098	1	Cover
* 16	K498.108	1	Wiper	64	SJ100.374	9	Screw
17	CB9.54-1	1	Nut	65	J317.017	1	Clip
* 18	C9.37	1	Gasket	66	J803.070	1	Handle (includes 65, 66, 67)
19	C9.22-2	1	Plug	67	J345.550	3	Grip
20	E234.900	1	Reservoir Assembly	68	E236.061	1	Pin
	M.J.35	2	Nut	69	SJ100.380	2	Bushing
	E232.028	2	Stud	70	E704.026	1	Decal (Caution)
21	AJ100.319	1	Cap	71	E235.133	1	Yoke
* 22	W293.504	1	O-Ring	72	SJ100.064	1	Pin
23	SJ100.377	1	Cylinder	* 73	S1.58	1	Pin
24	SJ100.390	1	Pin	74	E243.900	1	Safety
25	J324.040	1	Plunger w/overload set	75	J320.242	1	U-Bolt
26	J305.044	1	Ring	76	AJ100.207	2	Screw
27	B956.028	1	Screw	77	SJ100.385	1	Strap
28	B162.206	1	Spring	78	SJ100.079	3	Nut
29	L789.013	1	Guide	79	B954.055	1	Nut
30	J912.900	1	Overload valve (includes items 8, 27, 28, 29)	80	SJ100.124	2	Washer
31	D270.044	1	Ring	81	E242.183	1	Spring
* 32	D269.108	1	Wiper	82	SJ100.432	1	Yoke
* 33	E30.041	1	Cup	83	K328.026	1	Decal (Repair)
34	TC7.43	1	Washer	84	J314.363	1	Hood
35	AJ100.019	1	Nut	85	SJ100.395	1	Strap (Plain)
36	E198.028	4	Screw	86	SJ100.434	1	Strap (Notched)
37	D220.108	4	Washer	87	SJ100.069	2	Ring
38	E584.045	2	Pad	88	SJ100.440	1	Cross pin
39	E689.055	4	Nut	89	SJ10.102	1	Cover
40	K647.103	1	Arm, R.H.	90	J733.026	1	Decal (Do Not Lift)
41	SJ100.078	2	Pin	91	J817.026	1	Decal (Oper & Maint)
42	J299.900	1	Elevator w/rollers	92	J311.104	1	Shaft
43	K648.103	1	Arm, L.H.	93	D312.061	1	Pin
44	SJ100.049	1	Pin	94	J322.308	1	Knob
* 45	1.58	3	Pin	95	J357.026	1	Decal (Release)
46	J301.104	1	Shaft	96	K913.900	1	Power Unit
47	SJ100.087	8	Washer	97	K623.626	1	Adapter, L.H.
48	SJ100.017	4	Roller	98	K622.626	1	Adapter, R.H.
				99	K606.061	2	Pin
				†100	LX21	23 cu. in.	Special Oil

†Not shown.

For economical maintenance order Repair Kit SJ26X.
Items included in Kit are marked with asterisk(*).

NOTE: Orders for parts cannot be filled unless both model and serial number with prefix imprinted on nameplate are given.

PANZITTA SALES & SERVICE
 72 George Avenue
 Wilkes-Barre, PA 18705
 570-822-6720 800-822-6720
 www.panzittasales.com