

# BLACKHAWK

## LIFTING EQUIPMENT

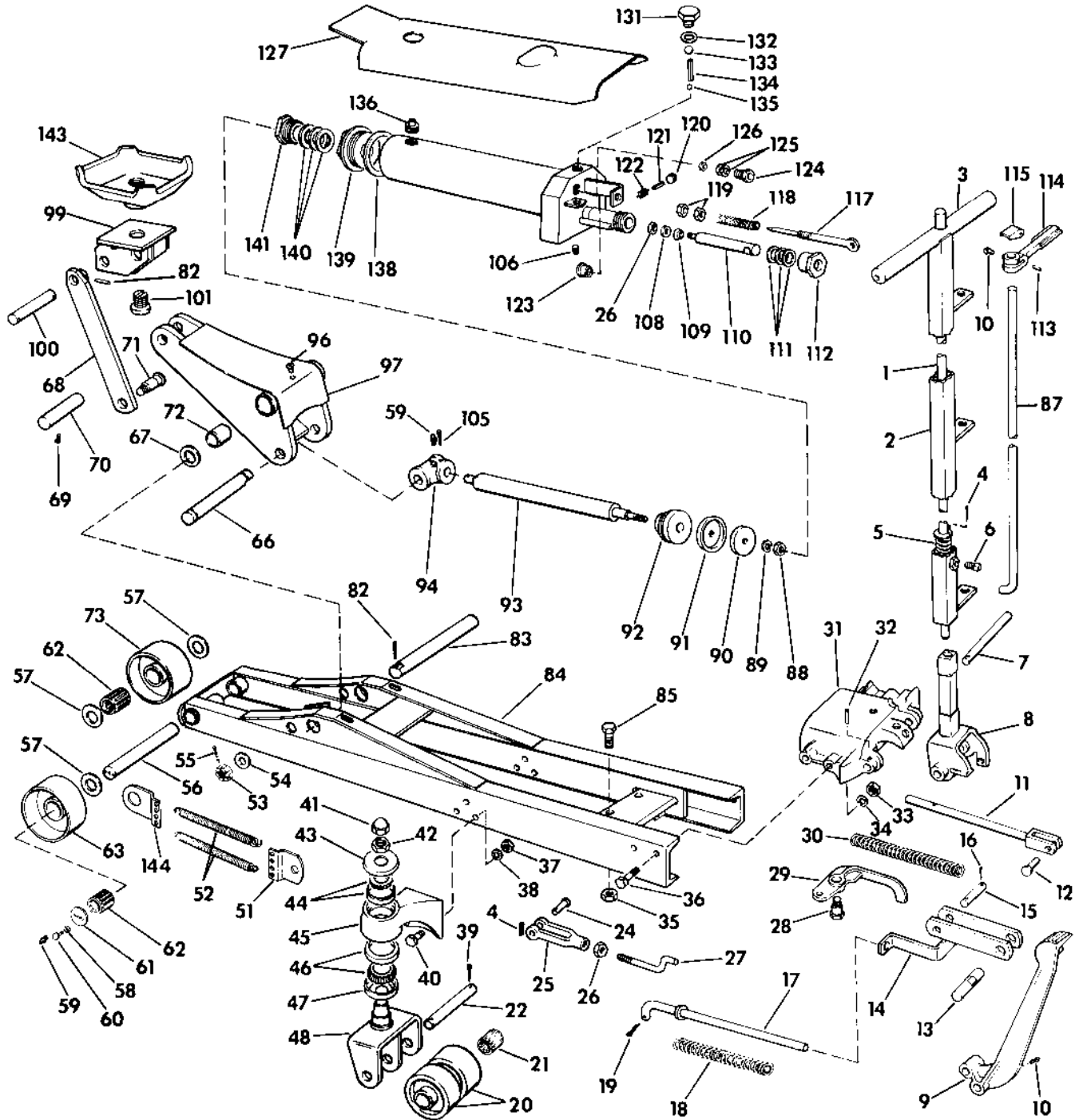
### Repair Parts Information

Service Jack

MODEL SJ-20

Serial Code B

RATED CAPACITY: 20 TON



FOR QUALITY WORKMANSHIP AND GENUINE BLACKHAWK PARTS, SELECT A BLACKHAWK AUTHORIZED SERVICE DEPOT FOR YOUR REPAIR NEEDS.

USE ONLY LX-21 JACK OIL AND GENUINE FACTORY PARTS. USE OF OTHER HYDRAULIC FLUIDS OR NON-GENUINE PARTS VOIDS WARRANTY.

NEVER USE BRAKE FLUID.

## PARTS LIST FOR MODEL SJ-20

ITEM NO.	PART NO.	NO. REQ.	DESCRIPTION	ITEM NO.	PART NO.	NO. REQ.	DESCRIPTION	ITEM NO.	PART NO.	NO. REQ.	DESCRIPTION
1	D468.149	1	Rod	43	D456.020	2	Cap	99	D530.111	1	Bracket
2	D466.135	1	Cross Bar & Tube	44	D435.107	2	Bearing & Race	100	D539.061	1	Pin
3	D466.900	1	Handle less Yoke	45	D414.111	2	Bracket	101	D538.028	1	Screw
4	SJ100.008	2	Pin	46	D436.107	2	Bearing & Race	105	D564.061	1	Pin
5	D424.183	1	Spring	47	D513.020	2	Cap	106	D573.006	1	Plug
6	D390.028	1	Screw	48	D551.133	2	Yoke	108	D496.043	1	Spreader
7	D469.061	1	Pin	51	D549.151	1	Anchor	*109	D494.041	1	Cup
8	J445.132	1	Yoke	52	D550.183	4	Spring	110	D572.040	1	Piston
9	D412.157	1	Lever	53	J658.055	2	Nut	*111	D495.076	3	Packing
10	D438.028	3	Screw	54	D546.108	2	Washer	112	D405.055	1	Nut
11	J447.149	1	Rod	55	D545.061	2	Pin	113	D491.061	1	Pin
12	D463.061	1	Pin	56	D544.104	1	Axle	114	D400.135	1	Lever includes items 10, 113, 114, 115
13	D470.061	1	Pin	57	D542.108	4	Washer	115	D490.111	1	Lock
14	D559.062	1	Link	58	J.66	4	Washer	117	D447.010	1	Valve
15	D467.061	1	Pin	59	D437.188	3	Fitting	118	D427.183	1	Spring
16	8876.061	2	Pin	60	H36.028	4	Bolt	119	D422.055	2	Nut
17	D504.149	1	Rod	61	D501.071	2	Disc	120	D581.006	1	Plug
18	D506.183	1	Spring	62	D507.107	3	Bearing	121	D512.999	1	Magnet
19	K18.58	1	Pin	63	D509.106	2	Wheel	122	D580.018	1	Screen
20	D398.106	4	Wheel	66	D540.061	1	Pin	123	D452.039	1	Bushing
21	S153.98	4	Bearing	67	D461.108	2	Washer	124	D454.055	1	Nut
22	D553.061	1	Pin	68	D534.062	2	Arm	*125	D488.076	2	Packing
24	D433.061	1	Pin	69	D533.028	1	Bolt	126	D498.043	1	Spreader
25	D441.133	1	Yoke	70	D532.061	1	Pin	127	D582.098	1	Cover
26	AJ100.301	2	Nut	71	D535.061	2	Pin	131	D578.006	1	Plug
27	D557.149	1	Rod	72	D536.039	2	Bushing	*132	D443.167	1	Gasket
28	D478.028	1	Bolt	73	D541.106	1	Wheel	*133	D440.016	1	3/8" Ball
29	D397.157	1	Lever	82	D531.061	3	Pin	134	D465.186	1	Spacer
30	D410.183	1	Spring	83	D563.061	1	Pin	*135	C783.016	1	7/16" Ball
31	D413.111	1	Bracket	84	D562.001	1	Frame	136	D457.006	1	Plug
32	D528.061	1	Pin	85	D247.028	2	Bolt	*138	D577.161	1	Gasket
33	8776.181	4	Nut	87	D462.149	1	Rod	139	D576.020	1	Cap
34	D519.108	4	Washer	88	D571.055	1	Nut	*140	D575.076	3	Packing
35	D556.055	2	Nut	89	D570.108	1	Washer	141	D574.055	1	Nut
36	D555.028	4	Bolt	90	D569.043	1	Spreader	143	D529.045	1	Saddle
37	S38.181	6	Nut	* 91	D568.041	1	Cup	144	D548.151	1	Anchor
38	D418.108	6	Washer	92	D567.044	1	Disc	†145	D560.154	2	Caster includes items 20, 21, 22, 39, 48
39	D392.061	4	Pin	93	D566.040	1	Plunger	†146	E740.026	1	Decal (Repair)
40	D554.028	6	Bolt	94	D565.264	1	Head	†147	LX21		Special Oil
41	D483.055	2	Nut	96	D464.096	1	Fitting				
42	D423.055	2	Nut	97	D537.103	1	Arm				

†Not Shown.

For economical maintenance order Repair Kit SJ-20X.  
Items included in Kit are marked with asterisk (\*).

**NOTE:** Orders for parts cannot be filled unless both model and serial number with prefix imprinted on nameplate are given.

**PANZITTA SALES & SERVICE**  
 72 George Avenue  
 Wilkes-Barre, PA 18705  
 570-822-6720 800-822-6720  
 www.panzittasales.com