

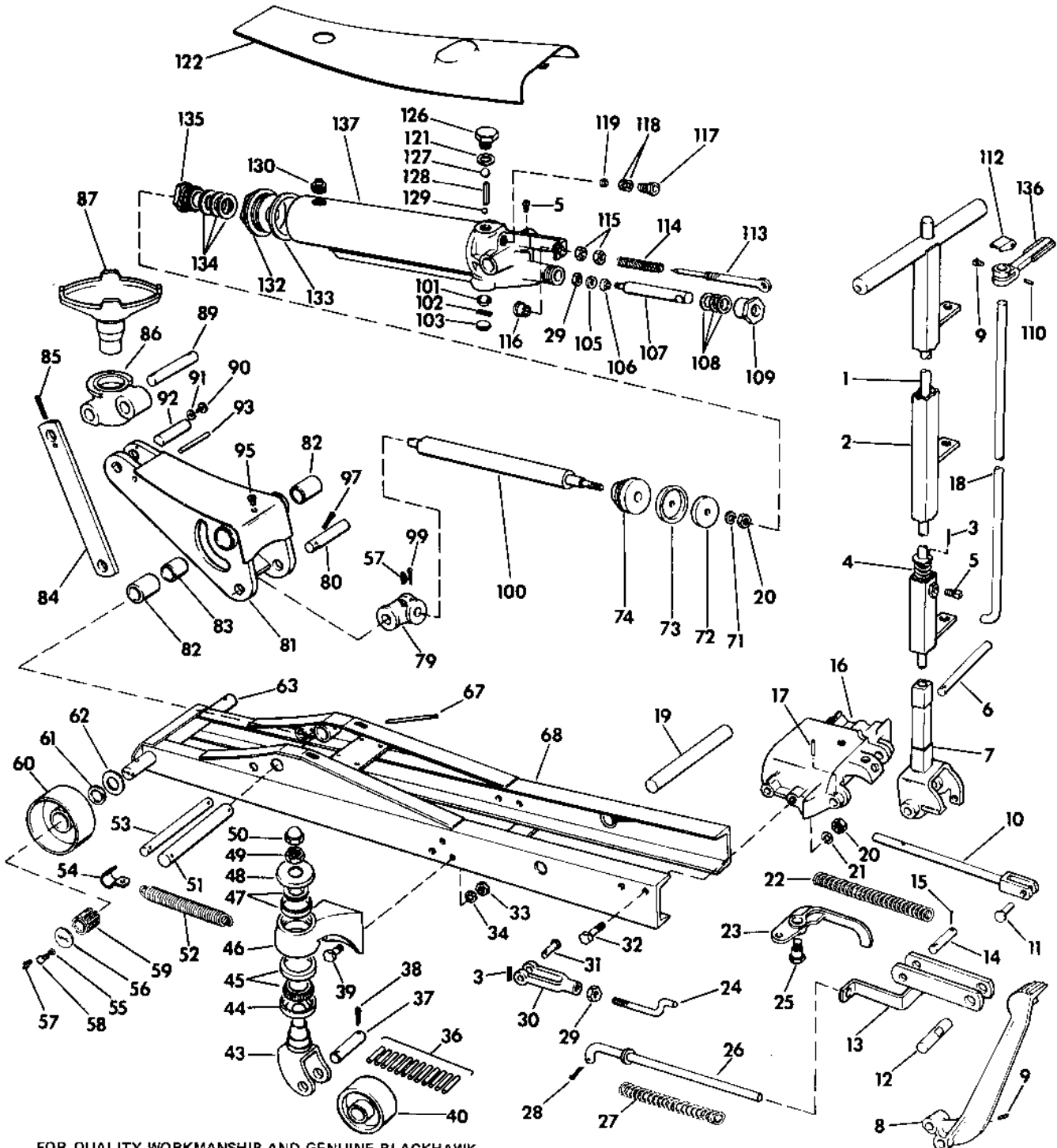
# BLACKHAWK

## LIFTING EQUIPMENT

### Repair Parts Information

Service Jack  
MODEL SJ-16  
Serial Code B

RATED CAPACITY: 10 TON



FOR QUALITY WORKMANSHIP AND GENUINE BLACKHAWK PARTS, SELECT A BLACKHAWK AUTHORIZED SERVICE DEPOT FOR YOUR REPAIR NEEDS.

USE ONLY LX-21 JACK OIL AND GENUINE FACTORY PARTS. USE OF OTHER HYDRAULIC FLUIDS OR NON-GENUINE PARTS VOIDS WARRANTY.

NEVER USE BRAKE FLUID.

## PARTS LIST FOR MODEL SJ-16

ITEM NO.	PART NO.	NO. REQ.	DESCRIPTION	ITEM NO.	PART NO.	NO. REQ.	DESCRIPTION	ITEM NO.	PART NO.	NO. REQ.	DESCRIPTION
1	D468.149	1	Rod	44	D513.020	2	Cap	99	D526.061	1	Pin
2	D466.135	1	Cross Bar & Tube	45	D436.107	2	Bearing & Race	100	D448.040	1	Plunger
3	SJ100.008	2	Pin	46	D414.111	2	Bracket	101	D453.018	1	Screen
4	D424.183	1	Spring	47	D435.107	2	Bearing & Race	102	D512.999	1	Magnet
5	D390.028	2	Screw	48	D456.020	2	Cap	103	D425.006	1	Plug
6	D469.061	1	Pin	49	D423.055	2	Nut	105	D496.043	1	Spreader
7	J445.132	1	Yoke	50	D483.055	2	Nut	*106	D494.041	1	Cup
8	D412.157	1	Lever	51	D477.061	1	Pin	107	D497.040	1	Piston
9	D438.028	3	Screw	52	D482.183	2	Spring	108	D495.076	1	Packing (set of 3)
10	J446.149	1	Rod	53	D474.061	1	Pin	109	D406.055	1	Nut
11	D463.061	1	Pin	54	D444.017	2	Hook	110	D491.061	1	Pin
12	D470.061	1	Pin	55	J.66	4	Washer	112	D490.111	1	Lock
13	D505.062	1	Link	56	D501.071	2	Disc	113	D447.010	1	Valve
14	D467.061	1	Pin	57	D437.188	3	Fitting	114	D427.183	1	Spring
15	B876.061	2	Pin	58	H36.028	4	Bolt	115	D422.055	2	Nut
16	D413.111	1	Bracket	59	D507.107	2	Bearing	116	D452.039	1	Bushing
17	D528.061	1	Pin	60	D509.106	2	Wheel	117	D454.055	1	Nut
18	D462.149	1	Rod	61	D461.108	2	Washer	*118	D488.076	2	Packing
19	D475.061	1	Pin	62	D502.108	2	Washer	119	D498.043	1	Spreader
20	B776.181	5	Nut	63	D499.104	1	Axle	*121	D443.167	1	Gasket
21	D519.108	4	Washer	67	D472.061	2	Pin	122	D508.098	1	Cover
22	D410.183	1	Spring	68	D500.001	1	Frame	126	D451.006	1	Plug
23	D397.157	1	Lever	71	D395.108	1	Washer	*127	D440.016	1	3/8" Ball
24	D471.149	1	Rod	72	D458.043	1	Spreader	128	D465.186	1	Spacer
25	D478.028	1	Bolt	* 73	D439.041	1	Cup	*129	C783.016	1	7/16" Ball
26	D504.149	1	Rod	74	D399.044	1	Disc	130	D457.006	1	Plug
27	D506.183	1	Spring	79	D401.264	1	Head	132	D415.020	1	Cap
28	K18.58	1	Pin	80	D476.061	1	Pin	*133	D511.161	1	Gasket
29	AJ100.301	2	Nut	81	D481.103	1	Arm	*134	D485.076	1	Packing (set of 4)
30	D441.133	1	Yoke	82	D479.039	2	Bushing	135	D416.055	1	Nut
31	D433.061	1	Pin	83	D480.186	1	Spacer	136	D400.135	1	Lever Includes items 9, 110, 112
32	C423.488	4	Bolt	84	D445.062	2	Arm	137	K354.900	1	New Power Unit
33	S38.181	6	Nut	85	D584.061	2	Pin	† 138	D493.017	1	Extension (release)
34	D418.108	6	Washer	86	D417.111	1	Bracket	† 139	E740.026	1	Decal (repair)
36	D393.107	2	Roller (13 Per Set)	87	D402.045	1	Saddle	† 140	LX21	1	Special Oil
37	D396.104	2	Axle	89	D446.061	1	Pin	† 141	D466.900	1	Handle less Yoke
38	D392.061	4	Pin	90	D391.028	2	Bolt				
39	D514.028	6	Bolt	91	D524.108	2	Washer				
40	D398.106	2	Wheel	92	D473.061	1	Pin				
43	D403.133	2	Yoke	93	D525.061	1	Pin				
43A	D404.154	2	Caster includes items 36, 37, 38, 40, 43	95	D464.096	1	Fitting				
				97	S8.117	1	Pin				

†Not Shown.  
 For economical maintenance order Repair Kit SJ-16X  
 Items included in Kit are marked with asterisk (\*).

**NOTE:** Orders for parts cannot be filled unless both model and serial number with prefix imprinted on nameplate are given.

**PANZITTA SALES & SERVICE**  
 72 George Avenue  
 Wilkes-Barre, PA 18705  
 570-822-6720 800-822-6720  
 www.panzittasales.com