

**BLACKHAWK**

**LIFTING  
EQUIPMENT**

**Repair Parts Information**

One End Lift

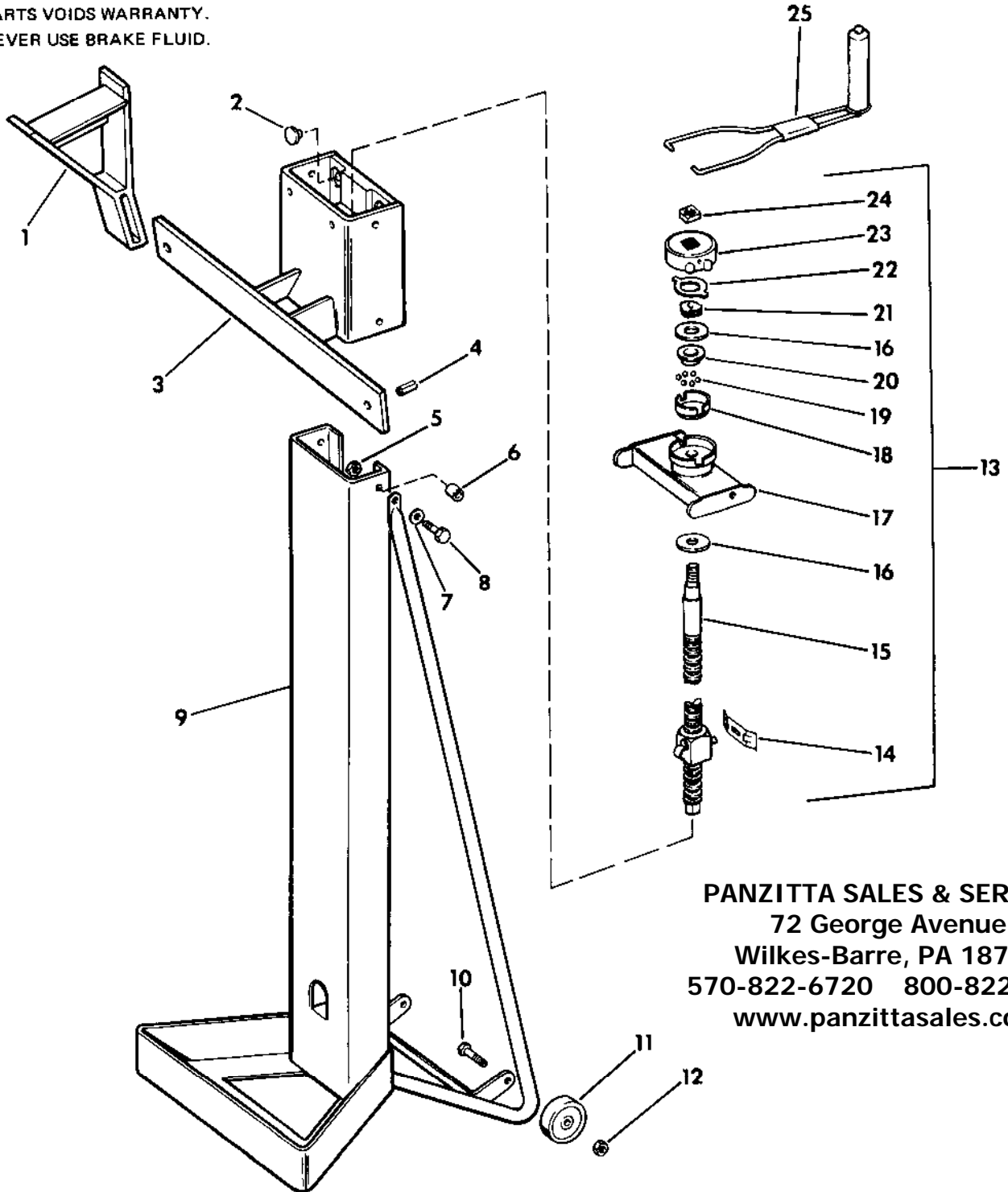
**MODEL SJ-11**

Serial Code A

FOR QUALITY WORKMANSHIP AND GENUINE BLACKHAWK PARTS, SELECT A BLACKHAWK AUTHORIZED SERVICE DEPOT FOR YOUR REPAIR NEEDS.

**RATED CAPACITY: 1-1/2 TON**

USE ONLY LX-21 JACK OIL AND GENUINE FACTORY PARTS.  
USE OF OTHER HYDRAULIC FLUIDS OR NON-GENUINE PARTS VOIDS WARRANTY.  
NEVER USE BRAKE FLUID.



**PANZITTA SALES & SERVICE**  
72 George Avenue  
Wilkes-Barre, PA 18705  
570-822-6720 800-822-6720  
[www.panzittasales.com](http://www.panzittasales.com)

# PARTS LIST FOR MODEL SJ-11

ITEM NO	PART NO	NO. REQ.	DESCRIPTION
1	SJ10.025	2	Saddle
2	SJ100.122	8	Button
3	SJ10.029H	1	Elevator
4	SJ100.076	2	Pin
5	SJ100.125	2	Nut
6	SJ100.127	2	Spacer
7	SJ100.124	2	Washer
8	SJ100.123	2	Bolt
9	SJ10.026	1	Not Available as Repair Part
10	SJ100.130	2	Bolt
11	SJ100.131	2	Wheel
12	SJ100.079	2	Nut
13	SJ10.034	1	Brake, w/screw
14	SJ100.171	1	Clip
15	SJ10.044	1	Screw w/block
16	SJ100.141	2	Washer
17	SJ10.033C	1	Hood w/disc
18	SJ100.136	1	Race (Outer)
19	P208.16	13	Ball
20	SJ100.137	1	Race (Inner)
21	SJ100.134	3	Ratchet
22	SJ100.139	2	Pawl
23	SJ100.118	1	Cover
24	SJ100.128	1	Nut
25	SJ10.032H	1	Crank
†26	E704.026	1	Decal (Caution)
27	K328.026	1	Decal (Repair)

†Not Shown

**NOTE:** Orders for parts cannot be filled unless both model and serial number with prefix imprinted on nameplate are given.

---

**PANZITTA SALES & SERVICE**  
 72 George Avenue  
 Wilkes-Barre, PA 18705  
 570-822-6720 800-822-6720  
[www.panzittasales.com](http://www.panzittasales.com)