

BLACKHAWK

LIFTING EQUIPMENT

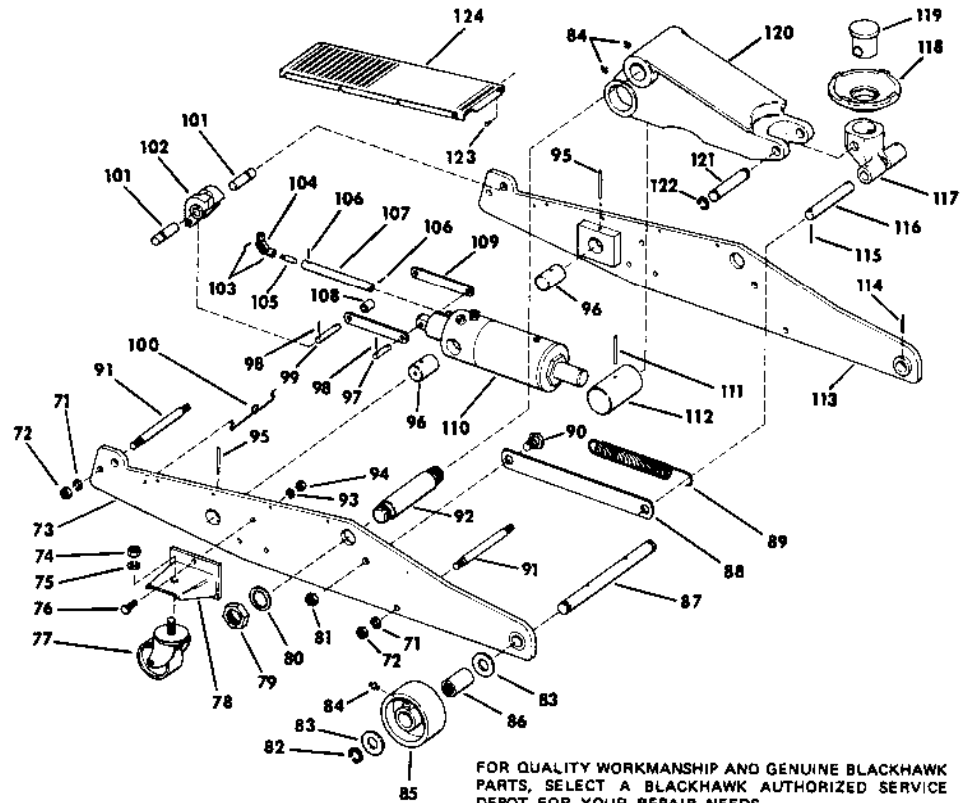
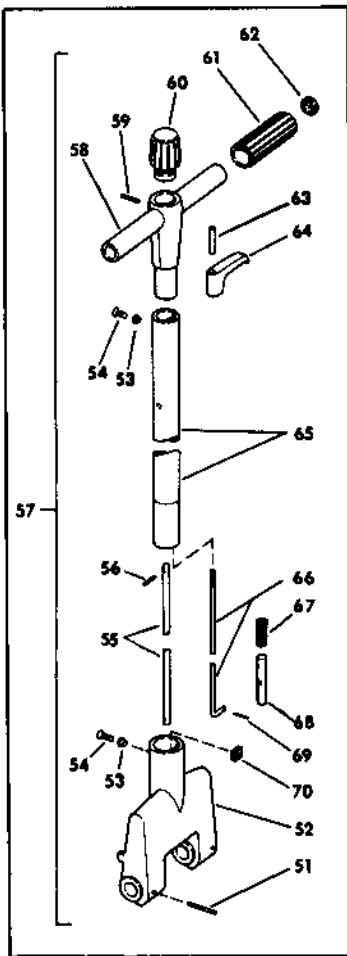
Repair Parts Information

Hydraulic Service Jack

MODEL SJ-10

Serial Code A

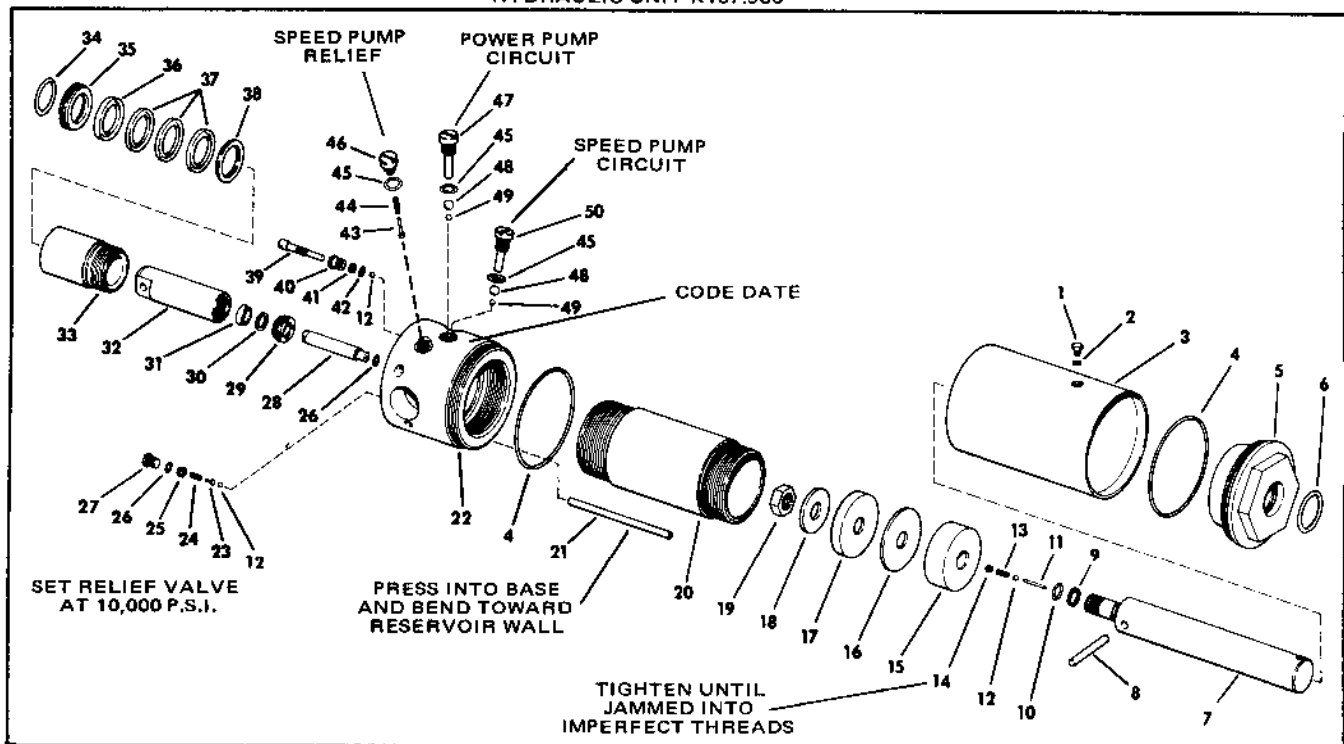
CAPACITY: 10 TON



FOR QUALITY WORKMANSHIP AND GENUINE BLACKHAWK PARTS, SELECT A BLACKHAWK AUTHORIZED SERVICE DEPOT FOR YOUR REPAIR NEEDS.

USE ONLY LX-21 JACK OIL AND GENUINE FACTORY PARTS. USE OF OTHER HYDRAULIC FLUIDS OR NON-GENUINE PARTS VOIDS WARRANTY. NEVER USE BRAKE FLUID.

HYDRAULIC UNIT K107.900



REPAIR PARTS LIST

Item No.	Part No.	No. Req.	Description	Item No.	Part No.	No. Req.	Description	Item No.	Part No.	No. Req.	Description
1	C9.22-2	1	Plug	43	K7.264	1	Valve	85	K2.106	2	Wheel
* 2	C9.37	1	Gasket	44	K6.110	1	Spring	86	K2.107	2	Bearing
3	K2.025	1	Reservoir	* 45	D144.167	3	Gasket	87	K8.104	1	Axle
* 4	K2.041	2	O-Ring	46	K6.006	1	Plug	88	K4.062	2	Link
5	K3.020	1	Cap	47	K8.008	1	Plug	89	K5.110	1	Spring
* 6	L937.041	1	O-Ring	* 48	C783.016	2	Ball, 7/16"	90	K13.028	2	Bolt
7	K3.040	1	Plunger	* 49	S1.16	2	Ball, 5/16"	91	K2.149	2	Rod (Tie)
8	K28.061	1	Pin (Hi-Limit)	50	K7.006	1	Plug	92	K19.061	1	Pin (Pivot)
* 9	K11.108	1	Wiper	51	A812.261	2	Pin	93	K244.108	6	Washer
* 10	K4.041	1	O-Ring	52	A707.133	1	Yoke	94	B776.181	6	Nut
11	D387.107	1	Rod	53	D914.108	4	Washer	95	K21.061	2	Pin
* 12	1.16	3	Ball, 7/32"	54	A953.252	4	Screw	96	K20.061	1	Pin (Trunnion)
13	D386.183	1	Spring	55	K3.149	1	Rod (Release)	97	K22.061	1	Pin (Front)
14	D369.006	1	Screw	56	D184.061	1	Pin	98	K18.58	4	Pin
15	K2.071	1	Disc	57	K4.070	1	Handle (Complete)	99	K24.061	1	Pin (Back)
* 16	K7.108	1	Wiper	58	A962.135	1	Cross	100	K2.013	1	Stabilizer
* 17	FA11.41-1	1	Cup	59	A954.058	1	Pin	101	K23.061	2	Pin (Yoke)
18	E723.108	1	Washer	60	K1.308	1	Knob	102	K1.134	1	Segment
19	EA11.120	1	Nut	61	A725.550	2	Grip	103	K31.061	2	Pin
20	K2.030	1	Cylinder	62	A726.006	2	Plug	104	K5.950	1	Universal
21	K19.268	1	Tube	63	D894.055	-	Nut	105	K9.096	1	Connector
22	K6.005	1	Base	64	A963.144	1	Lever	106	D238.061	2	Pin
23	K1.013	1	Guide	65	A763.127	1	Tube	107	K6.062	1	Extension
24	B162.206	1	Spring	66	A961.142	1	Rod (Segment)	108	K4.186	1	Spacer
25	8956.028	1	Plug	67	A768.141	1	Spring	109	K5.062	2	Link
* 26	B159.167	2	Gasket	68	A768.061	1	Pin (Segment)	110	K107.900	1	Hydraulic Unit
27	A651.006	1	Plug	69	1.58	1	Pin	111	K26.061	1	Pin
28	K4.040	1	Piston (Power)	70	SJ100.420	2	Nut	112	K25.061	1	Pin (Arm)
29	K6.055	1	Nut	71	S1.119	4	Washer	113	K35.101	1	Plate, L. H.
* 30	K15.108	1	Wiper	72	S1.120	4	Nut	114	K18.061	2	Pin (Axle)
* 31	K3.041	1	Cup	73	K34.101	1	Plate, R. H.	115	K3.061	2	Pin
32	K5.040	1	Piston (Speed)	74	J559.055	2	Nut	116	K16.061	1	Pin (Link)
33	K1.030	1	Cylinder (Pump)	75	S4.180	2	Washer	117	K8.111	1	Bracket
* 34	A730.394	1	Seal	76	K10.028	6	Bolt	118	K2.045	1	Saddle
35	A825.035	1	Nut	77	K3.154	2	Caster	119	K27.061	1	Pin (Saddle)
36	A826.043	1	Spreader	78	K7.111	2	Bracket	120	K2.103	1	Arm
* 37	D866.041	3	Cup	79	K4.065	2	Nut	121	K17.061	1	Pin (Bracket)
38	A798.043	1	Spreader	80	K9.108	2	Washer	122	K289.044	2	Ring
39	K5.010	1	Spindle	81	K5.055	2	Nut	123	H94.028	8	Screw
40	CB9.11	1	Nut	82	K52.044	2	Ring	124	K2.098	1	Cover
* 41	CB9.335	1	Wiper	83	K10.108	4	Washer	†125	LX21	72 Cu. In.	Special Oil
* 42	1.74	1	Packing	84	S4.188-2	6	Fitting	†126	AJ100.503	1	Decal (Caution)
								†127	SJ10.026X	-	Decal Kit (Model)
								*†128	SJ10X	1	Repair Kit

†Not Shown

*Items included in kit are marked with an asterisk.

PANZITTA SALES & SERVICE
 72 George Avenue
 Wilkes-Barre, PA 18705
 570-822-6720 800-822-6720
 www.panzittasales.com