

# BLACKHAWK

## LIFTING EQUIPMENT

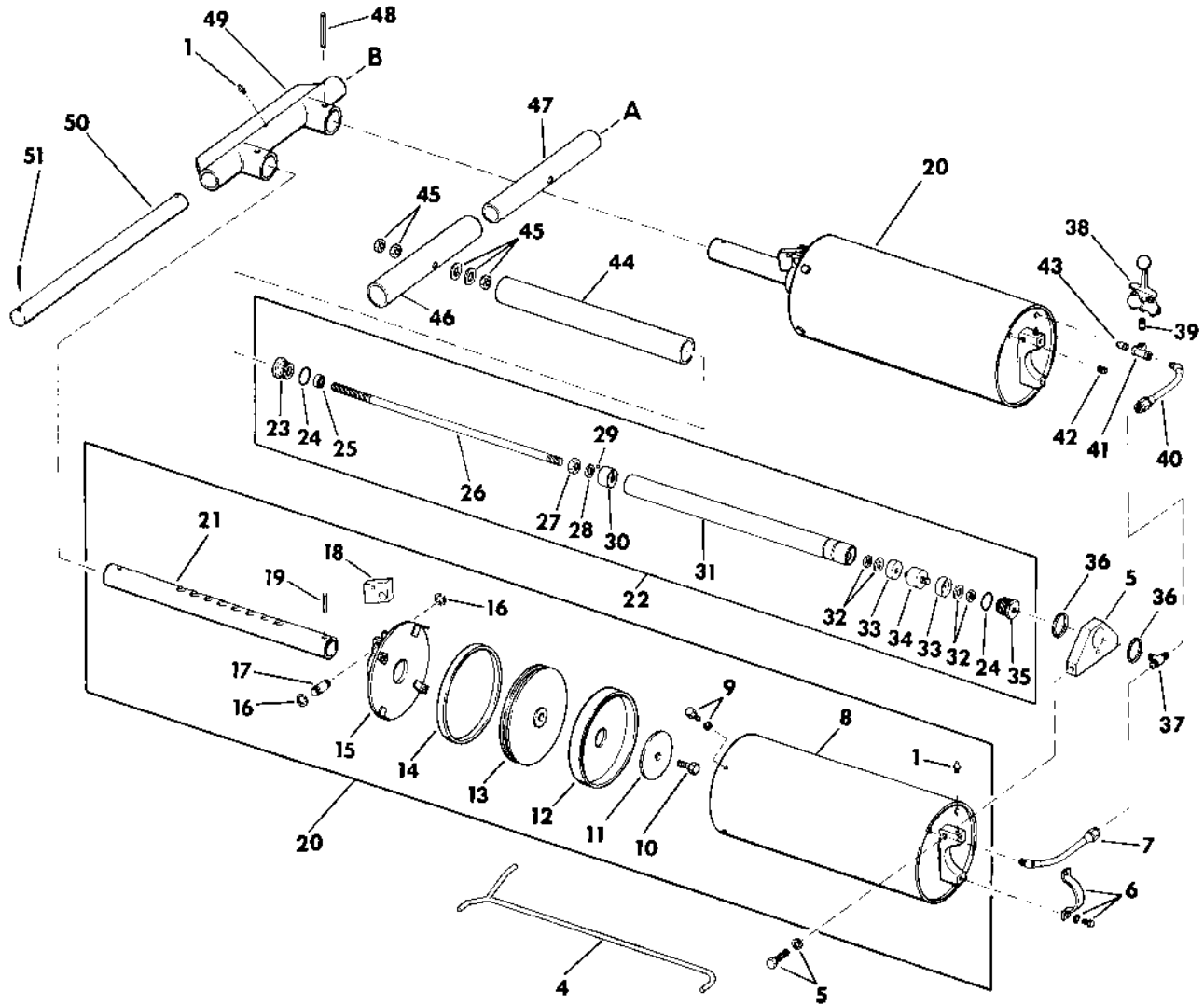
### Repair Parts Information

Mobile Lift

MODEL ML-51

RATED CAPACITY: 5500 LBS.

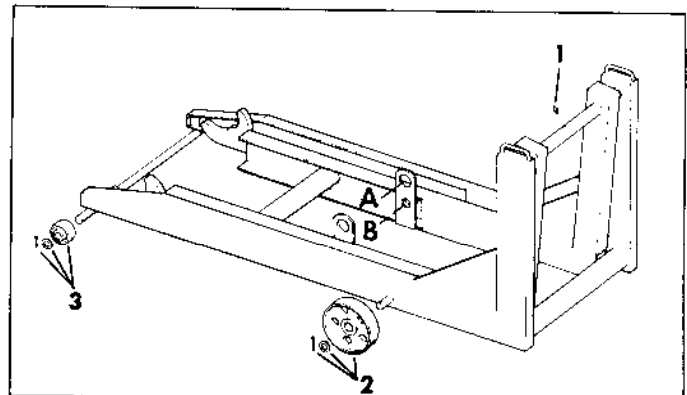
OPERATING AIR PRESSURE: 145 PSI



**NOTE:**  
WHEN FILLING HYDRAULIC DAMPER  
USE 20 OZ. OF SAE 10W-30 OIL

FOR QUALITY WORKMANSHIP AND GENUINE BLACKHAWK PARTS, SELECT A BLACKHAWK AUTHORIZED SERVICE DEPOT FOR YOUR REPAIR NEEDS.

USE ONLY LX-21 JACK OIL AND GENUINE FACTORY PARTS.  
USE OF OTHER HYDRAULIC FLUIDS OR NON-GENUINE PARTS VOIDS WARRANTY.  
NEVER USE BRAKE FLUID.



## REPAIR PARTS LIST

Item No.	Part No.	No. Req.	Description	Item No.	Part No.	No. Req.	Description
1	J154.096	4	Fitting	*25	K125.041	1	Cup
2	E851.106	2	Wheel	26	N28.149	1	Rod
	E189.108	2	Washer	27	D235.055	1	Nut
	E861.061	2	Pin	28	K105.108	1	Washer
3	E848.106	2	Wheel	*29	S4.156	1	Ball
	S4.108-1	2	Washer	30	K128.051	1	Piston
	E846.061	2	Pin	31	N27.030	1	Cylinder
4	N47.149	1	Rod	32	AA85.120	2	Nut
5	N20.111	1	Bracket		AA85.43	2	Washer
	B517.247	2	Bolt	*33	D385.041	2	Cup
	K244.108	2	Washer	34	K129.071	1	Piston
6	E852.017	2	Strap	35	K130.020	1	Cap
	D244.028	4	Bolt	36	K446.044	2	Ring
	S4.139	4	Washer	37	K444.096	1	Tee
7	N16.646	1	Hose	38	K91.900	1	Valve
8	N34.030	2	Tank	39	K1.096	1	Nipple
9	K6.028	8	Bolt	40	K3.646	1	Hose 7-7/8"
	B678.108	8	Washer	41	K442.096	1	Nipple
10	K5.028	2	Bolt	42	B714.245	2	Plug
11	K2.108	2	Washer	43	K3.096	1	Nipple
*12	K221.041	2	Cup	44	N41.098	1	Cover
13	K1.051	2	Piston	45	D235.055	3	Nut
14	K219.044	2	Ring		E50.108	2	Washer
15	N36.020	2	Cap	46	N15.104	1	Shaft (Outer)
16	A434.523	4	Ring	47	N13.104	1	Shaft (Inner)
17	K435.061	2	Pin	48	A804.061	2	Pin
18	K431.002	2	Pawl	49	N21.268	1	Tube
19	A812.261	2	Pin	50	N44.104	1	Shaft
20	N35.900	2	Tank Assembly	51	E868.061	2	Pin
21	N11.149	2	Rod	†52	E740.026	1	Decal (Repair)
22	N26.900	1	Damper	†53	E704.026	1	Decal (Caution)
23	K422.020	1	Cap	†54	A559.026	1	Decal (Caution)
*24	K106.041	2	"O" Ring				

†Not Shown.  
For economical maintenance order Repair Kit ML-51X.  
Items included in Kit are marked with asterisk (\*).

**PANZITTA SALES & SERVICE**  
 72 George Avenue  
 Wilkes-Barre, PA 18705  
 570-822-6720 800-822-6720  
 www.panzittasales.com