

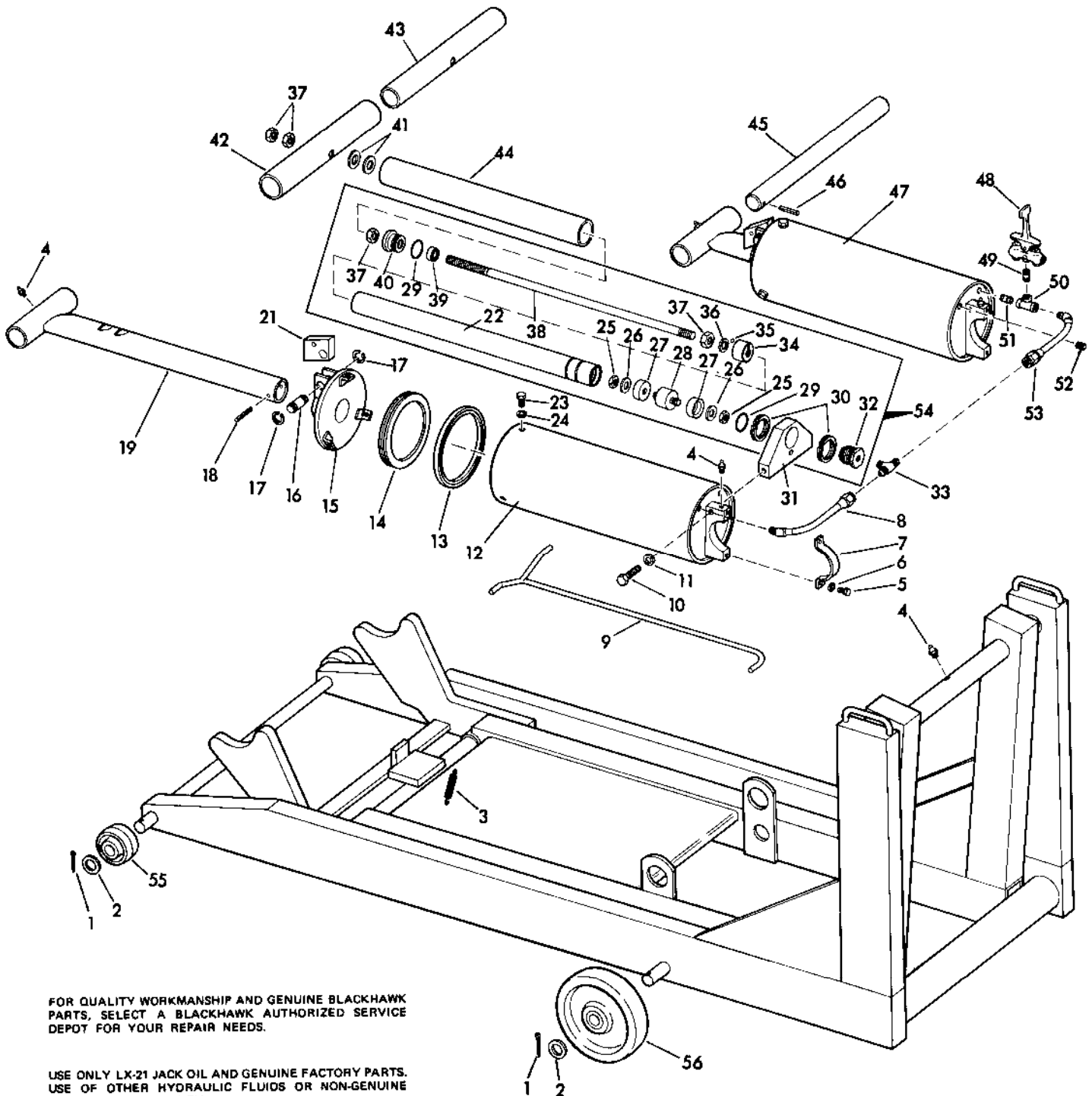
BLACKHAWK

**LIFTING
EQUIPMENT**

Repair Parts Information

Mobile Lift
MODEL ML-41
Serial Code A

**RATED CAPACITY 3000 LBS.
OPERATING AIR PRESSURE 90 TO 180 P.S.I.**



FOR QUALITY WORKMANSHIP AND GENUINE BLACKHAWK PARTS, SELECT A BLACKHAWK AUTHORIZED SERVICE DEPOT FOR YOUR REPAIR NEEDS.

USE ONLY LX-21 JACK OIL AND GENUINE FACTORY PARTS. USE OF OTHER HYDRAULIC FLUIDS OR NON-GENUINE PARTS VOIDS WARRANTY. NEVER USE BRAKE FLUID.

REPAIR PARTS LIST

| Item No. | Part No. | No. Req. | Description | Item No. | Part No. | No. Req. | Description |
|----------|----------|----------|------------------|----------|------------|----------|------------------------|
| 1 | E861.061 | 4 | Pin | 34 | K128.051 | 1 | Piston |
| 2 | E189.108 | 4 | Washer | *35 | S4.156 | 1 | Ball |
| 3 | J252.110 | 1 | Spring | 36 | K105.108 | 1 | Washer |
| 4 | J154.096 | 5 | Fitting (Grease) | 37 | D235.055 | 4 | Nut |
| 5 | D244.028 | 4 | Screw | 38 | K424.149 | 1 | Rod |
| 6 | S4.139 | 4 | Washer | *39 | K125.041 | 1 | Cup |
| 7 | E852.017 | 2 | Strap | 40 | K422.020 | 1 | Cap |
| 8 | K443.646 | 1 | Hose, 6-3/4" | 41 | E50.108 | 2 | Washer |
| 9 | K419.149 | 1 | Rod | 42 | K441.104 | 1 | Shaft (Outer) |
| 10 | B517.247 | 2 | Screw | 43 | K440.104 | 1 | Shaft (Inner) |
| 11 | K244.108 | 2 | Washer | 44 | K425.098 | 1 | Cover |
| 12 | K405.030 | 2 | Tank | 45 | K408.104 | 1 | Shaft |
| *13 | K52.041 | 2 | Cup | 46 | A804.061 | 1 | Pin |
| 14 | K413.051 | 2 | Piston | 47 | K396.900 | 2 | Tank Assembly |
| 15 | K406.020 | 2 | Cap | 48 | K91.900 | 1 | Valve |
| 16 | K435.061 | 2 | Pin | 49 | K1.096 | 1 | Nipple, 1/4"x1/2" |
| 17 | A434.523 | 4 | Ring | 50 | K442.096 | 1 | Tee |
| 18 | A812.261 | 2 | Pin | 51 | K3.096 | 1 | Nipple, 1/4"x7/8" |
| 19 | K415.149 | 2 | Rod | 52 | B714.245 | 2 | Plug |
| 21 | K431.002 | 2 | Pawl | 53 | K4.646 | 1 | Hose, 5-7/8" |
| 22 | K423.030 | 1 | Cylinder | 54 | K399.900 | 1 | Damper |
| 23 | K6.028 | 6 | Bolt | 55 | J150.106 | 2 | Wheel (Front) |
| 24 | B678.108 | 6 | Washer | 56 | E851.106 | 2 | Wheel (Rear) |
| 25 | AA85.120 | 2 | Nut | †57 | 10W-30 | | 32-1/2 Cu.In.Motor Oil |
| 26 | AA85.43 | 2 | Washer | †58 | K468.026X | | Decal Kit (Model) |
| *27 | D385.041 | 2 | Cup | †59 | E740.026 | | Decal (Repair) |
| 28 | K129.071 | 1 | Piston | †60 | A559.026-1 | 1 | Decal (Caution) |
| *29 | K106.041 | 2 | "O" Ring | †61 | E704.026-1 | 1 | Decal (Caution) |
| 30 | K446.044 | 2 | Ring | *†62 | ML-41X | 1 | Repair Kit |
| 31 | K438.111 | 1 | Bracket | | | | |
| 32 | K130.020 | 1 | Cap | | | | |
| 33 | K444.096 | 1 | Tee | | | | |

†Not shown

*Items included in kit are marked with asterisk.

PANZITTA SALES & SERVICE
 72 George Avenue
 Wilkes-Barre, PA 18705
 570-822-6720 800-822-6720
www.panzittasales.com