



Lifting Equipment

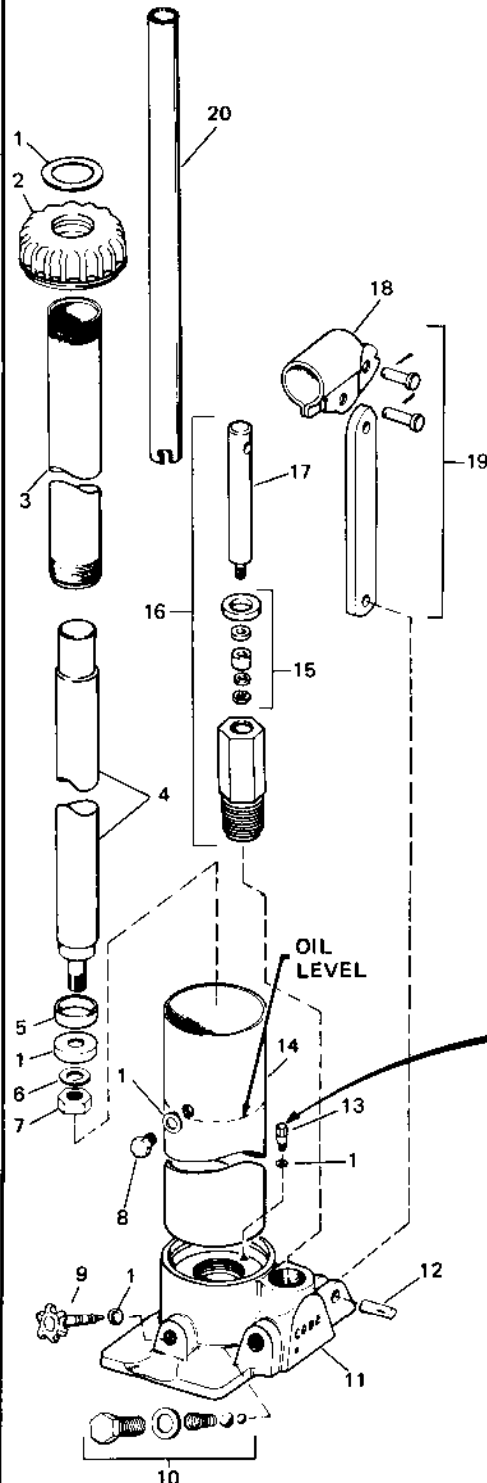
Automotive Product Service Division

MODEL AMERICAN FC-750 AND FC-751
BLACKHAWK MC-9 AND MC-10

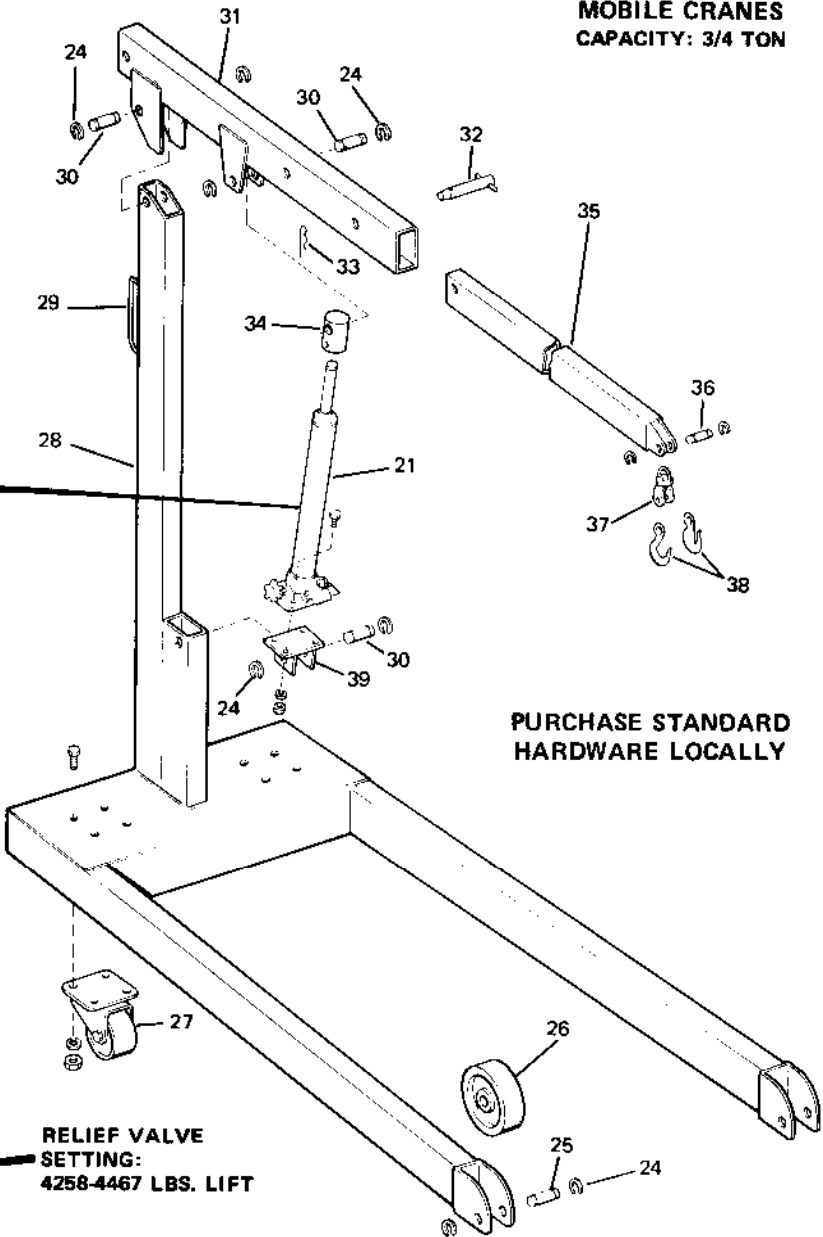
ISSUED JULY 7, 1975
SUPERSEDES PS-479

MOBILE CRANES
CAPACITY: 3/4 TON

HYDRAULIC POWER UNIT
MC-9: K68.900
MC-10: K82.900

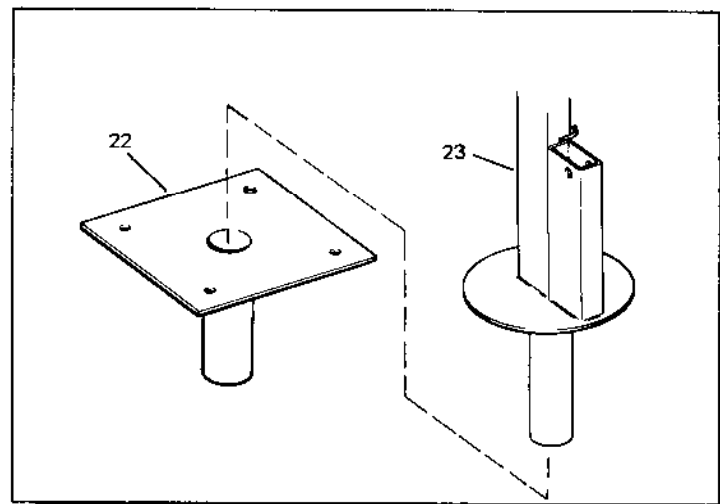


ADDING OIL
Remove plug (8) and add oil to indicated level.



PURCHASE STANDARD
HARDWARE LOCALLY

RELIEF VALVE
SETTING:
4258-4467 LBS. LIFT



REPAIR PARTS LIST

Item No.	FC-750, MC-9	No. Req.	FC-751, MC-10	No. Req.	Description
1	TC7U	1	TC7U	1	Jack Repair Kit
2	K982020	1	K982020	1	Cap
3	K3030	1	K7030	1	Cylinder
4	AJ100078	1	K14040	1	Plunger
5	AJ100050	1	AJ100050	1	Plunger Ring
6	AJ100023	1	AJ100023	1	Washer
7	AJ100019	1	AJ100019	1	Nut
8	AJ100060	1	AJ100060	1	Filler Plug
9	K2010	1	K2010	1	Release Valve
10	U30X4	1	U30X4	1	Valve Kit
11	K16005	1	K16005	1	Base
12	K494061	1	K494061	1	Base Pin
13	K97900	1	K97900	1	Relief Valve
14	K996025	1	K3025	1	Reservoir
15	U30X3	1	U30X3	1	Pump Kit
16	K584900	1	K584900	1	Complete Pump
17	K585040	1	K585040	1	Piston
18	AJ100064	1	AJ100064	1	Beam
19	K491900	1	K491900	1	Beam w/Link and Pins
20	AJ100053C	1	AJ100053C	1	Handle
21	K68900	1	K82900	1	Hydraulic Jack
22	-----		K8950		Platform Base
23	-----		K18001	1	Upright Frame
24	M56297	10	M56297	6	Ring
25	K48061	2	-----		Pin
26	K1106	2	-----		Front Wheel
27	K4154	2	-----		Swivel Caster
28	K13001	1	-----		Frame
29	K6070	1	-----		Frame Handle
30	K47061	3	K47061	3	Pin
31	K5060	1	K9060	1	Boom
32	K5061	1	K5061	1	T-Pin
33	K29061	1	K29061	1	Clip
34	K1410	1	K1410	1	Adapter
35	K2060	1	K2060	1	Boom Extension
36	K46061	1	K46061	1	Extension Pin
37	K7038	1	K7038	1	Swivel Adapter
38	K2017	1	K2017	1	Grab Hook
38	K5017	1	K5017	1	Slip Hook
39	K2111	1	K2111	1	Bracket
140	LX21				Jack Oil
(Jack oil is available in quart, gallon and 5-gallon cans.)					
141	MC9X	1	MC10X	1	Major Repair Kit
42	MC9026X	1	MC10026X	1	Decal Kit (Pak of 1)
43	FC750026X	1	-----		Decal Kit (Pak of 1)
44	820-20095		820-20095		Repair Part Sheet

PANZITTA SALES & SERVICE

72 George Avenue

Wilkes-Barre, PA 18705

570-822-6720 800-822-6720

www.panzittasales.com