



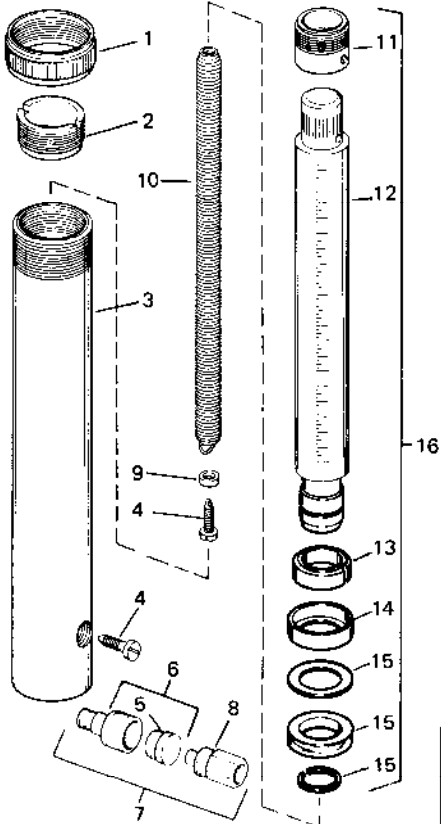
# Lifting Equipment

Automotive Product Service Division

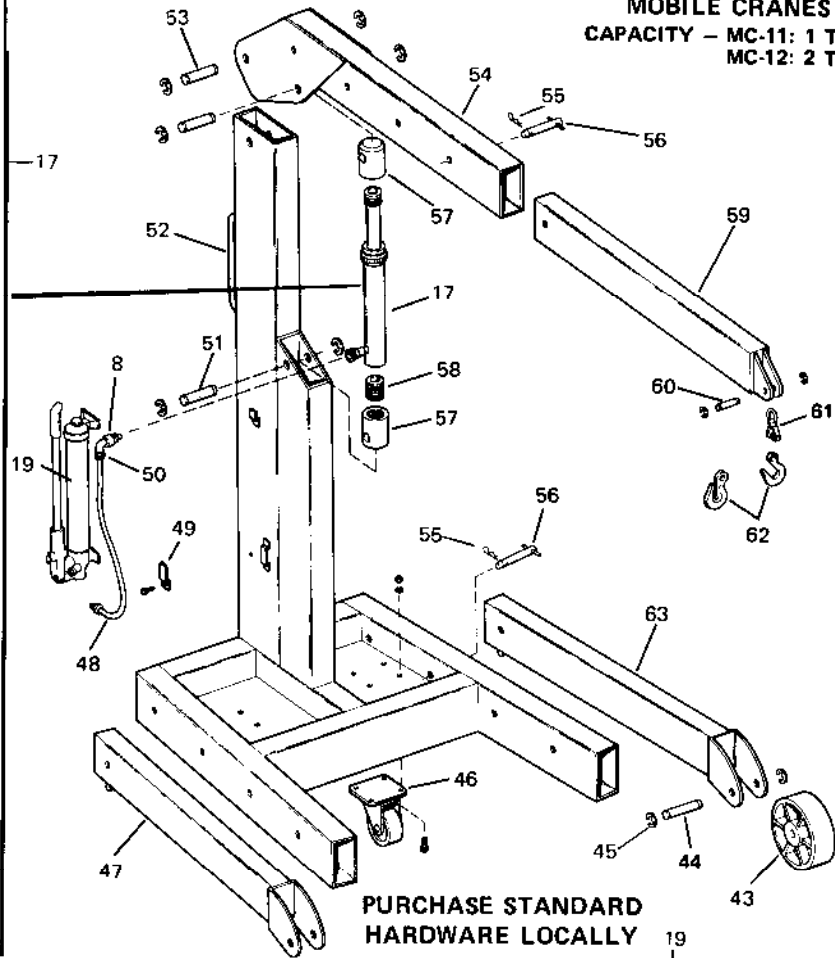
MODEL AMERICAN FC-1000  
BLACKHAWK MC-11 and MC-12

ISSUED JULY 7, 1975  
SUPERSEDES PS-475

## HYDRAULIC RAM K105.900

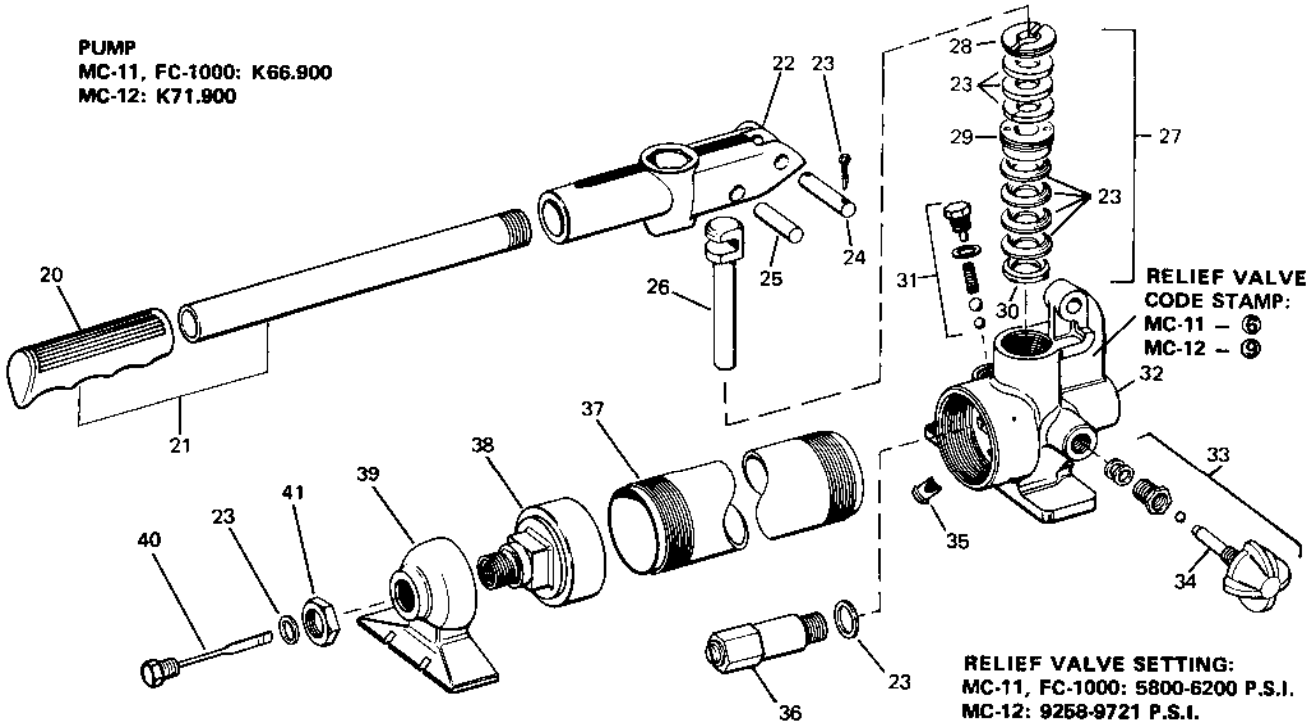


## MOBILE CRANES CAPACITY - MC-11: 1 TON MC-12: 2 TON



PURCHASE STANDARD  
HARDWARE LOCALLY

## PUMP MC-11, FC-1000: K66.900 MC-12: K71.900



RELIEF VALVE  
CODE STAMP:  
MC-11 - ⑥  
MC-12 - ⑤

RELIEF VALVE SETTING:  
MC-11, FC-1000: 5800-6200 P.S.I.  
MC-12: 9258-9721 P.S.I.

## REPAIR PARTS LIST

Item No.	FC-1000, MC-11	No. Req.	MC-12	No. Req.	Description	Item No.	FC-1000, MC-11	No. Req.	MC-12	No. Req.	Description
1	R28271	1	R28271	1	Protector	38	P75266-1	1	P75266-1	1	Cap
2	K14044	1	K14044	1	Stop Ring	39	P76267-1	1	P76267-1	1	Pump Rest
3	B1105	1	B11005	1	Base	40	B110900	1	B110900	1	Filler Plug
4	K31028	2	K31028	2	Screw	41	P75181	1	P75181	1	Lock Nut
5	Z410-1	1	Z410-1	1	Cover	†42	LX21		LX21		Jack Oil
6	ZR400	1	ZR400	1	Ram Half Coupler	(Jack oil is available in quart, gallon and 5-gallon cans.)					
7	Z604	1	Z604	1	Coupler Complete	43	K1106	2	K3106	2	Front Wheel
8	ZH604	1	ZH604	1	Coupler Hose Half	44	K48061	2	K49061	2	Pin
9	B7209	1	B7209	1	Bushing	45	M56297	4	K8044	4	Ring
10	K20110	1	K20110	1	Spring	46	K5154	2	K6154	1	Swivel Caster
11	R2845	1	R2845	1	Saddle	47	K6836	1	K8636	1	Lag Extension, R.H.
12	K18040	1	K18040	1	Plunger	48	K2646	1	K8646	1	Hydraulic Hose
13	K4107	1	K4107	1	Bearing	49	K12111	1	K12111	1	Pump Bracket
14	K4039	1	K4039	1	Bushing	50	K2291	1	K2291	1	Elbow
15	R159X-1	1	R159X-1	1	Ram Repair Kit	51	K51061	1	K51061	1	Bottom Ram Pin
16	K17040	1	K17040	1	Plunger w/Cup	52	K6070	1	K6070	1	Frame Handle
17	K105900	1	K105900	1	Hydraulic Ram		K8001	1	K10001	1	Frame
†18	ZR400X	1	ZR400X	1	Coupler Kit	53	K53061	2	K52061	2	Pin
19	K66900	1	K71900	1	Hydraulic Pump	54	K6060	1	K7060	1	Boom
20	B525550	1	B525550	1	Grip	55	K29061	3	K29061	3	Clip
21	K12070	1	K7070	1	Handle w/Grip	56	K43061	3	K38061	3	T-Pin
22	B113060-1	1	B113060-1	1	Beam	57	K10038	2	K10038	2	Adapter
23	P76X	1	P76X	1	Pump Repair Kit	58	B639245	1	B639245	1	Connector
24	P7663	1	P7663	1	Beam Pin	59	K3060	1	K4060	1	Boom Extension
25	P7557	1	P7557	1	Cross Pin	60	K46061	1	K46061	1	Extension Pin
26	P1651	1	P1651	1	Piston	61	K8038	1	K9038		Swivel Adapter
27	K4999X	1	K4999X	1	Cup Stack w/Nuts	62	K3017	1	K4017		Grab Hook
28	P1654	1	P1654	1	Packing Nut	62	K6017	1	K7017		Slip Hook
29	P1655	1	P1655	1	Cup Nut	63	K5636	1	K7636		Lag Extension, L.H.
30	S152-2	1	S152-2	1	Cup Spreader	†64	K4885	1	K4885	1	Handle Strap
31	U30X4	1	U30X4	1	Valve Kit	†65	LX21		LX21		Jack Oil
32	K17005	1	K17005	1	Base	(Jack oil is available in quarts, gallons and 5-gallon cans.)					
33	U30X9	1	U30X9	1	Release Valve Kit	*66	MC11X	1	MC11X	1	Major Repair Kit
34	J435900	1	J435900	1	Release Valve	†67	MC11026X	1	MC12026X		Decal Kit (Pak of 1)
35	E394018	1	E394018	1	Filter	68	820-20096		820-20096		Repair Parts List
36	K99900	1	K868900	1	Relief Valve						
37	P1625	1	P1625	1	Reservoir	†Not Shown					

**PANZITTA SALES & SERVICE**  
 72 George Avenue  
 Wilkes-Barre, PA 18705  
 570-822-6720 800-822-6720  
 www.panzittasales.com